

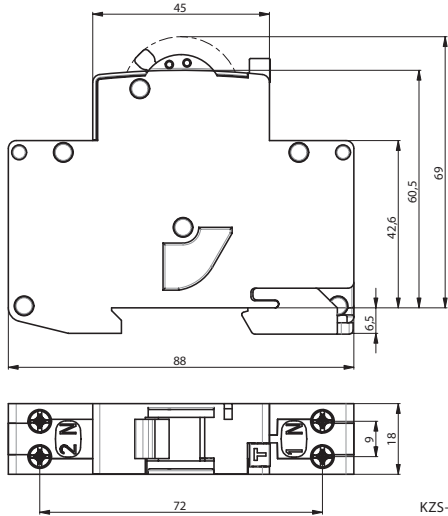
Residual current circuit breaker with integral overcurrent protection KZS - 1 M

Technical data			
Type	KZS 1M	KZS 1M DN	KZS 1M FN
Rated voltage U_n	230 V AC		
Rated current I_n	6-25 A	6-25 A	6-45 A
Minimal supply voltage U_{min}	90 V		
Rated frequency f_n	50 Hz		
Rated short-circuit capacity	6.000 A	6.000 A	10.000 A
Back-up fuse	100 A gG		
Tripping characteristic	B, C		
Rated residual current $I_{\Delta n}$	10, 30, 100 mA	30 mA	30, 100 mA
Type of residual release	A, AC		
Rated residual making and breaking capacity $I_{\Delta n}$	1500A	1500A	4500A
Terminals	1-10 mm ² , max. 1,5Nm	1-10 mm ² , max. 1,5Nm	1-25 mm ² / 1-16 mm ²
Terminal screw	M4 (Pozidrive PZ2)	M4 (Pozidrive PZ2)	M5 (Pozidrive PZ2)
Width	18 mm		
Mounting position	any		
Standard	IEC 61009	IEC 61009, EN 50550	IEC 61009-1 / 61009-2
Length of neutral conductor	-	-	600 mm
Operating temperature	-25°C ... +40°C		

Voltage [V]	KZS 1M DN
	Tripping time [s]
255	/
275	3s<t<15s
300	1s<t<5s
350	0,25s<t<0,75s
400	0,07s<t<0,20s

Technical data

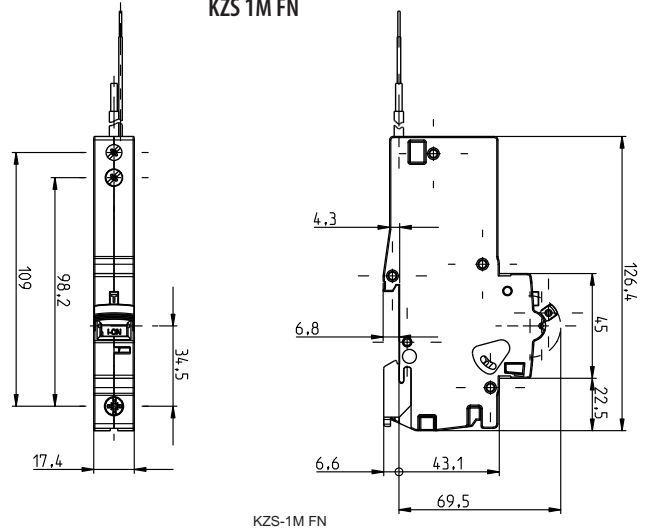
KZS-1M, KZS-1M-SUP, KZS-1M-LT, KZS-1M-DN



KZS-1M, KZS-1M-LT, KZS-1M-DN KZS-1M SUP



KZS 1M FN



KZS-1M FN

