

Motorized change-over switches LA (1-0-2)

Generalities

The three and four pole change-over switches, with motorized operation, allow remote control of change-over/breaking/disconnection under load of power circuits in low voltage systems. Motorized change-over switches are made by means of 2 switch disconnectors mechanically interlocked.

General characteristics

- automatic under-load change-over (AC22, AC23) from and to any of positions "1,0,2"
- both electrical and manual (emergency change-over)
- transfer function with direct transition from position "1" to position "2" and vice versa.
- front display of positions "1", "0", "2" is provided

- safety: locking by padlock preventing any electronic or manual operation
- external signalisation of positions "1", "0" and "2" by a clean contact (no voltage supply)
- quick operating time from pos. "1" to "2" and vice versa
- easy and fast electrical connections by means of terminal blocks of quick connection type
- power supply voltage 24V DC and 230V AC
- compact dimensions
- selection of operating logic by a micro switch for the following logic:
 - impulse (150 ms min)
 - contactor (maintained contact)
- conformity to standards: IEC 60947-1, IEC 60947-3, IEC 439-1, IEC 204-1

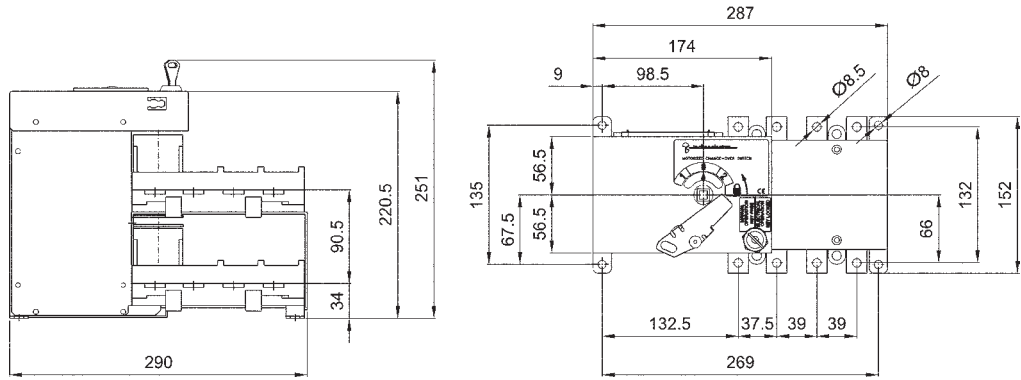
Technical data motorized change-over switches LA (1-0-2)

Type				LA2 MO	LA3 MO	LA4 MO		LA5 MO			
Rated current				(I _n)	250A	400A	630A	800A	1250A	1600A	2500A
Rated insulation voltage	AC	(U _i)	(V)	1000	1000	1000	1000	1000	1000	1000	1000
	DC	(U _i)	(V)	1500	1500	1500	1500	1500	1500	1500	1500
Impulse withstand voltage		(I _{th})	(A)	250	400	630	800	1250	1600	2500	
Rated current AC-21A/B	400V	(A)		250	400	630	630/800	1250	1600	2500	
	500V	(A)		250	400	630	630/800	1250	1250	2000	
	690V	(A)		250	400	630	630/800	1250	1250	1250	
Rated current AC-22A/B	400V	(A)		250	400	630	630/800	1250	1250	-	
	500V	(A)		250	400	630	630/800	1250	-	-	
	690	(A)		250	400	630	630/630	1250	-	-	
Rated current AC-23A/B	400V	(A)		250	400	630	630/630	1250	-	-	
	500V	(A)		200	315	500	500/500	800	-	-	
	690V	(A)		160	250	400	400/400	-	-	-	
Rated current DC-21A/B*	220V	(A)		250	400	630	630/800	1250	1600	-	
	420V	(A)		250	400	630	630/800	-	-	-	
	560V	(A)		-	400	630	630/800	-	-	-	
Rated current DC-22A/B*	220V	(A)		250	400	630	630/800	1250	-	-	
	420V	(A)		250	400	630	630/800	-	-	-	
	560V	(A)		-	400	630	630/800	-	-	-	
Rated current DC-23A/B*	220V	(A)		250	400	630	630/630	800	-	-	
	420V	(A)		250	400	630	630/630	-	-	-	
	560V	(A)		-	400	630	630/630	-	-	-	
Rated making capacity at 400V AC23		(A)	2500	4000	6300	6300	12500	-	-		
Rated breaking capacity at 400V AC23		(A)	2000	3200	5040	5040	10000	-	-		
Short-circuit with stand current	1sek.	(kA)		8	13	26,5	26,5	50	50	50	
	0,25 sek.	(kA)		16	26	53	53	100	100	100	
Short-circuit making capacity (400V)		(kA)		13,5	26	30	30	105	105	105	
Rated operational current AC 23A (400V)		(kW)		130	210	330	330	630	630	-	
Rated back up fuse short-circuit current											
Back up fuse gG		(A)		250	400	630	630	1000	-	-	
Short - circuit current - R.M.S. value		(kA)		50	50	50	50	100	-	-	
Mechanical endurance		(n°)		10000	8000	8000	8000	4000	4000	2500	
Electrical endurance		(n°)		2000	1500	1500	1500	1000	500	500	
Rated capacitor power at 400 V		(kVAR)		110	180	300	300	600	-	-	
Power loss per pole		(W)		3,8	9,4	15,6	25,7	12,7	38,3	91,7	
Cable section (Cu)		(mm ²)		120	240	2x185	2x240	-	-	-	
Bars dimensions (Cu)		(mm)		20x5	2x25x5	2x32x6	2x40x6	2x50x8	3x50x8	4x50x12	
Change over time		(sek.)		1,8	1,8	2,8	2,8	3	3,8	3,8	
AC voltage supply	+/- 10%	(V)		220	220	220	220	220			
DC voltage supply	+/- 10%	(V)		24	24	24	24	24			
	min.	(V)		18	18	18	18	18			
Double voltage supply DUO		(V)							24DC & 110/220AC		
Power motor consumption		(A)		3	4+7	4	4	5÷6	5÷6	5÷6	

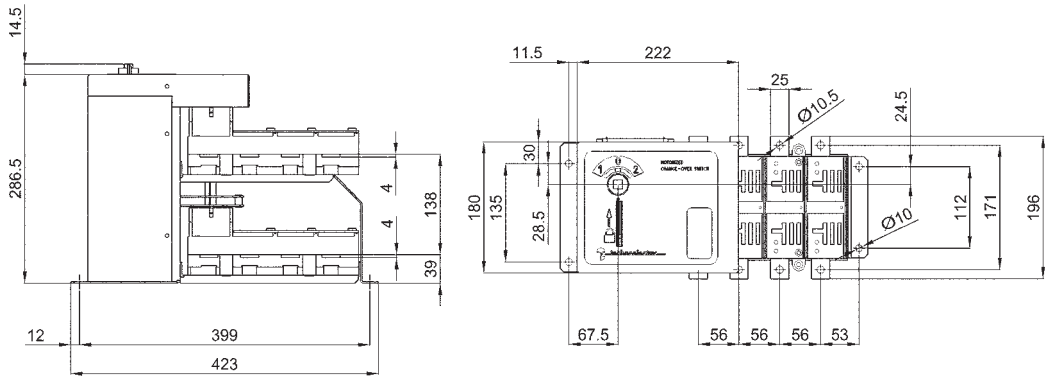
* two poles in series

ETISWITCH

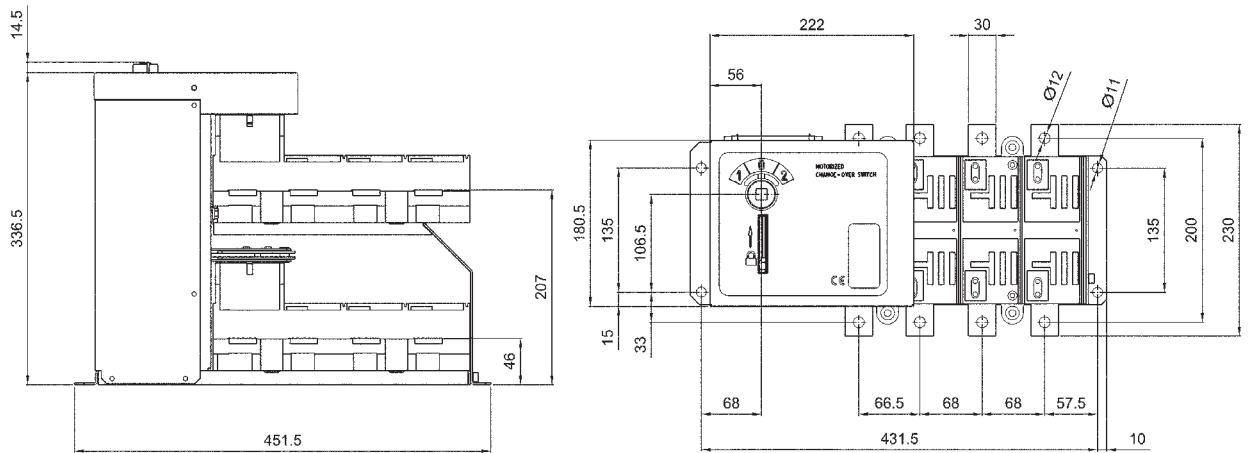
LA 2 MO



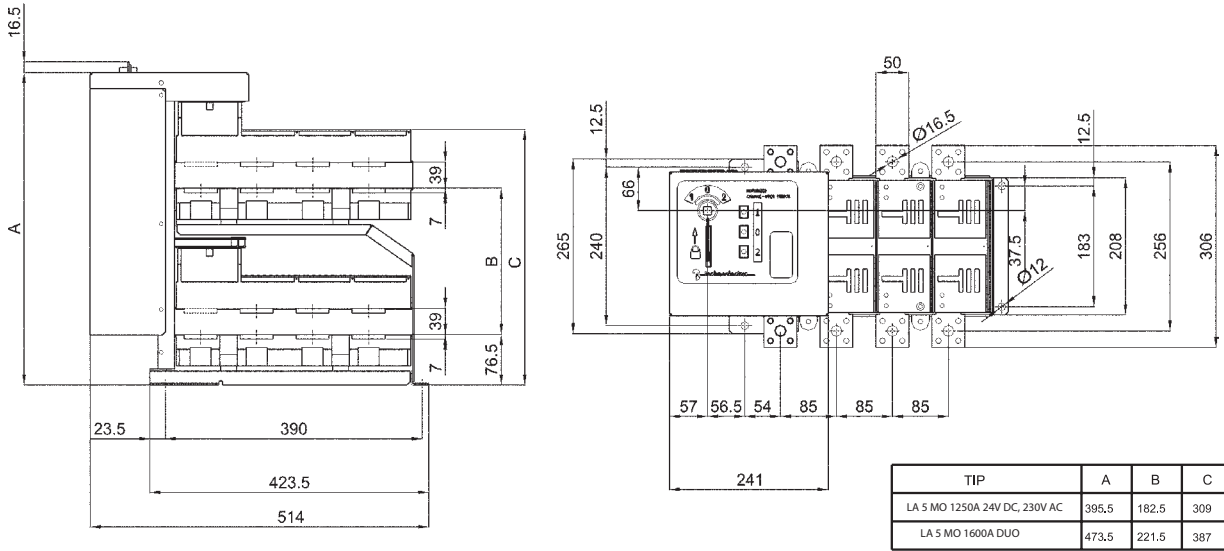
LA 3 MO



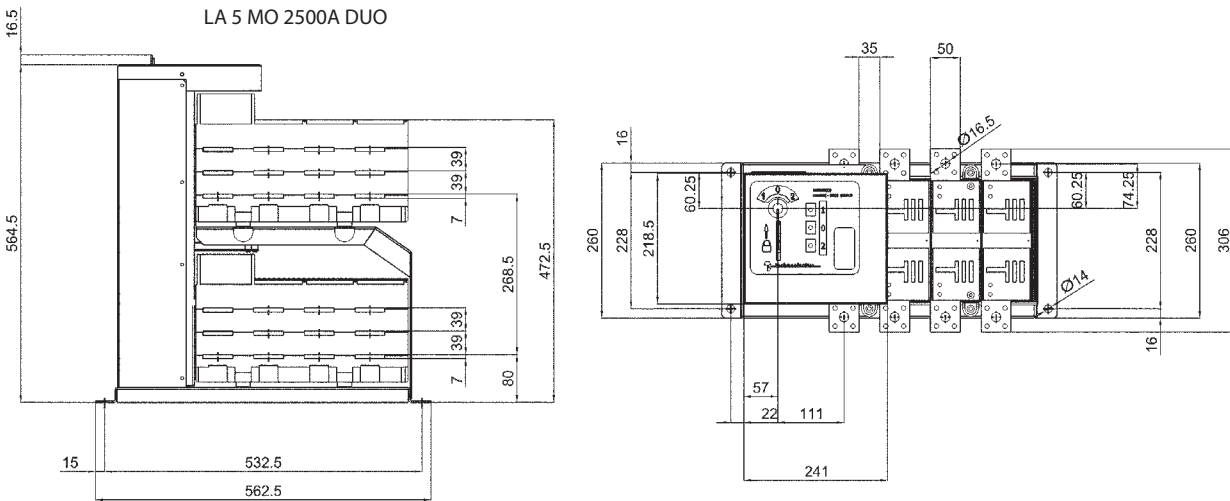
LA 4 MO



LA 5 MO 1250A 24V DC, 230V AC & LA 5 MO 1600A DUO



LA 5 MO 2500A DUO



Motorized change-over switches - TERMINAL BOARD DIAGRAMS

LA_MO_CO 24V DC

LA_MO_CO 230V AC

LA5 MO_CO DUO

