

Actuators and LED indicators

Non-illuminated actuators and LED indicators

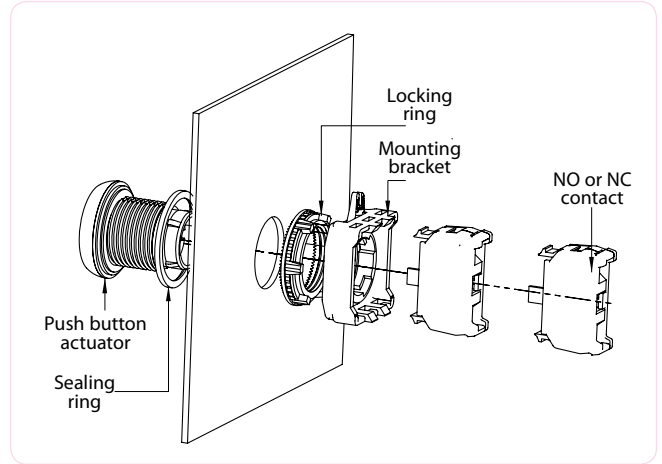
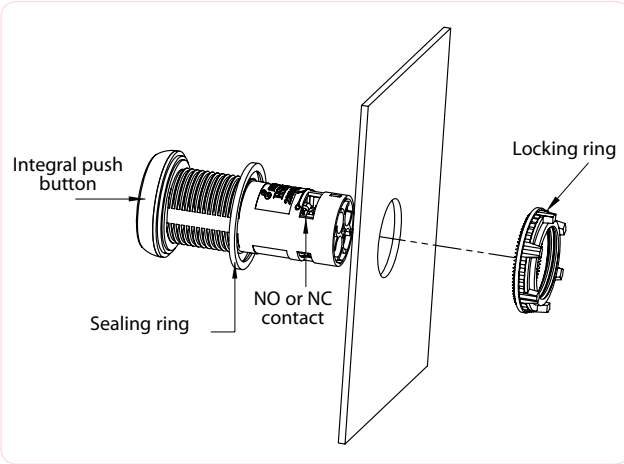
Product	22.5 mm Gen Next LED Indicators
Rated Voltage U_n	24 V AC/DC 240 V AC
Operating Voltage	-20% U_n ... +10% U_n
Type of LED	SMD LEDs
Available Colours	RED/GREEN/YELLOW/AMBER/BLUE/WHITE
Life	0.1 million burning hour
Operating Temperature	-30°C ... 60°C
Storage Temperature	-25°C ... 70°C
Wire Termination Capacity	0.5mm ² , 1.5 - 2.5 mm ²
Terminal Torque	0.5 Nm
LVGP	✓
Surge Test	2 kV
HV test for 60 sec.	1.5 kV
Degree of Protection	Above panel : IP65 For terminals : IP20
International Approvals	CE

Push button actuators and integral push buttons

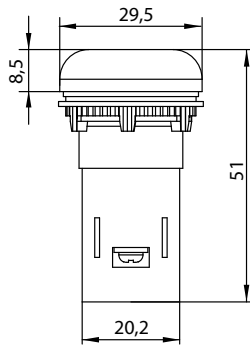
	Supply	IEC - 60947-5-1	ITH / Thermal Current
Utilization category	AC DC	AC-15 DC-13	10 A
Contact		NO & NC	
Rated Voltage	230 V AC	24 V AC	
Rated Current	2 A	1.5 A	
Frequency		50-60 Hz	
Electrical Life for Contact		0.5 million cycle	
HV Test for 60 sec		2.5kV (All Terminals Shorted Together)	
Rated insulation Voltage		600 V AC	
Terminals		Suitable for flexible or solid conductors from 2x1 mm ² to 2x2.5 mm ²	
Current Carrying Material		Brass	
Contacts Type		Make & Break	
Contact Material		AgNi	
Insulation Resistance at 500 VDC		> 50 Mohm	
Contact Resistance		>20 Mohm	
Function		Push, Push - Turn, Selector, Key	
Colour		RED/GREEN/YELLOW/ORANGE/BLACK/BLUE/WHITE	
Disposition of Contact		<div style="display: flex; align-items: center;"> <div style="margin-right: 10px;"> <input type="checkbox"/> Contact Open <input checked="" type="checkbox"/> Contact Closed </div> </div> <p style="text-align: center; margin-top: 5px;">Stroke (mm)</p>	
Environmental Rating			
Operating Temperature		-30°C ... 60°C	
Storage Temperature		-25°C ... 70°C	
IP Rating		IP65 above panel (As per IEC/EN - 60529) & IP20 for Terminals NEMA 1,2,3,4,4X class 12 & 13	
RoHS Compliance		✓	
Mechanical Life for Actuators			
Momentary (Push Button with Push Function)		1 mio ops	
Emergency Stop (Turn to Release)		0.1 mio ops	
Selector		0.5 mio ops	

Technical data

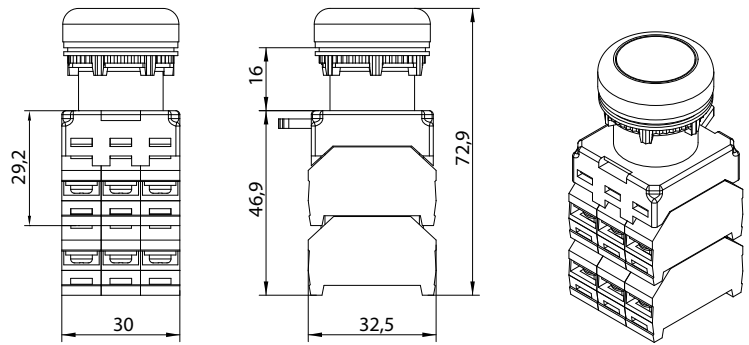
Mounting possibilities



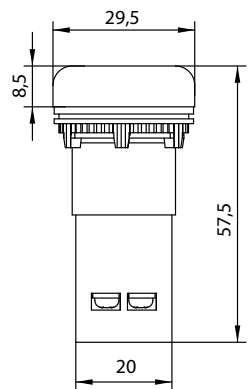
LED indicator



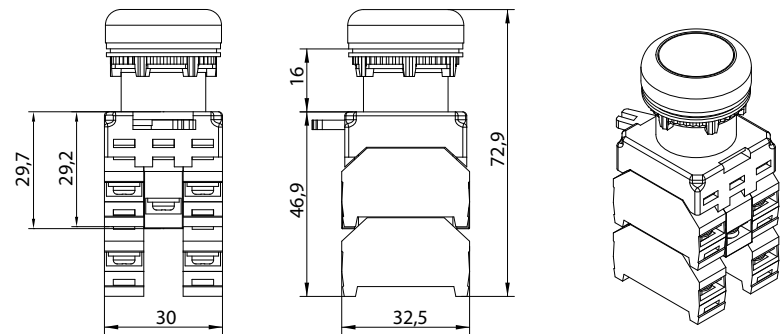
Push button actuator with 3 contacts in first row + 3 contacts in second row



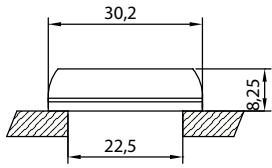
Integral push button



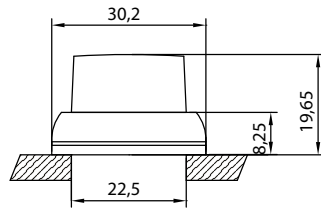
Push button actuator with 4 contacts and one LED holder



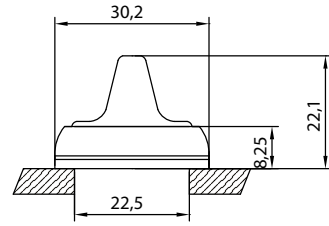
To one push button actuator can be applicated 3 contacts or 2 contacts and one LED holder (in one row of accessories)
 To one push button actuator can be applicated 6 contacts or 4 contacts and one LED holder (in two rows of accessories)



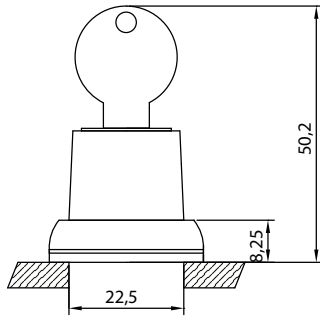
Flush head push button actuator



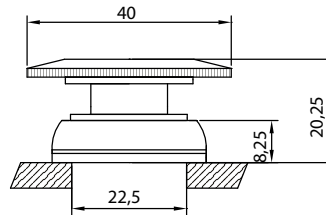
Projecting head push button actuator



Napęd pokrętny piórkem



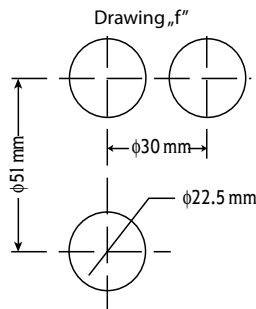
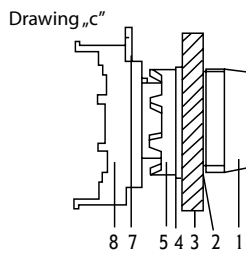
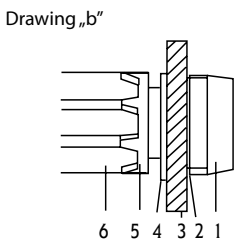
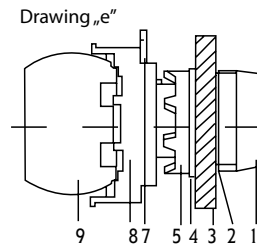
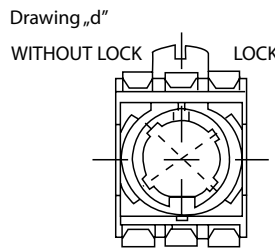
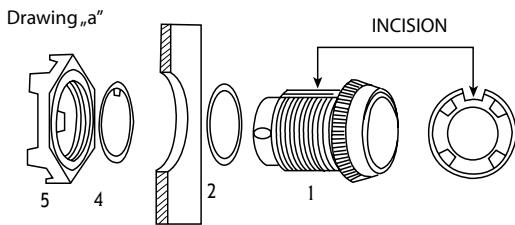
Key actuator



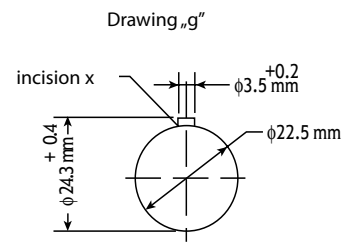
Mushroom head actuator

Above drawings apply to both Integral pushbuttons and pushbutton actuators.

Mounting holes for modular block assemblies



Openings plan for more than one actuator

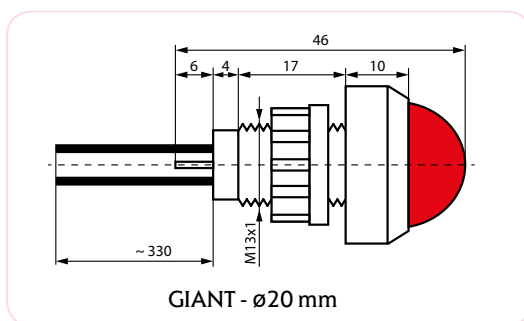
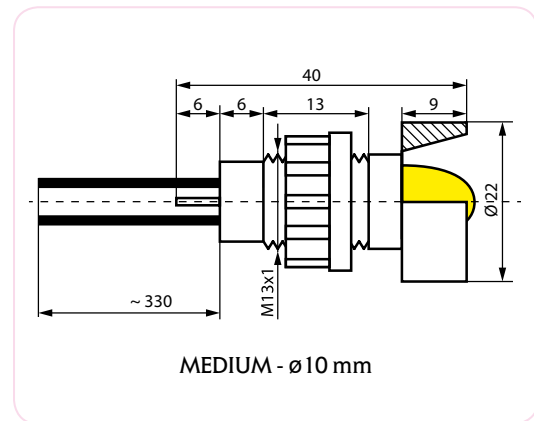
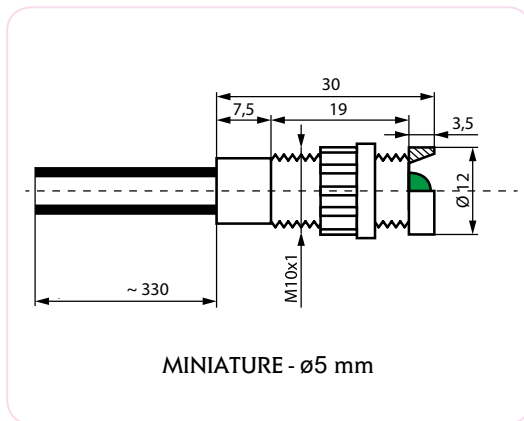


Opening plan for actuators with antirotating ring

- 1) Drawing a and b - unscrew locking ring (5) from actuator (1)
- 2) Mount actuator with sealing ring (2) in mounting panel openings
- 3) Place antirotating ring (4) with incision on actuator and slide it to the opening with x incision according to drawing g
- 4) Using a fixing device (6) tighten locking ring
- 5) Drawings c and d - switch locking ring (7) for first mounting bracket in OPEN position
- 6) Slide first mounting bracket. Check if mounting bracket is oriented according to incision on actuator
- 7) Switch locking ring in CLOSED position
- 8) Drawing e - mount contacts or LED holders to the mounting bracket by latching them on the bracket

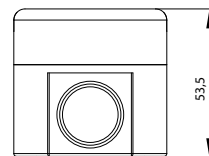
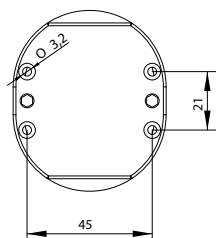
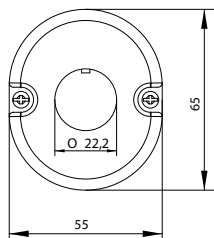
LS LED indicators

Technical data	
Operating voltage	230 V AC (with 230 V AC voltage - cord in lamps light colour)
Power consumption	1,0 W
Power cord	LGY 0,5 mm ²
Protection class	IP 20
Lamps are manufactured in various sizes	5 mm miniature, 10 mm medium, 20 mm giant
Colour	G - green, R - red, Y - yellow

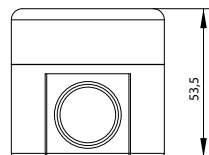
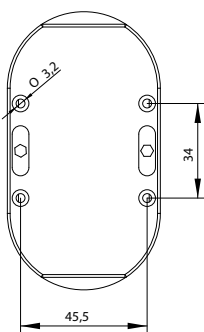
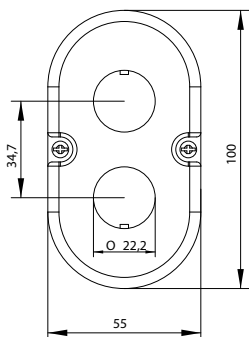


Enclosure

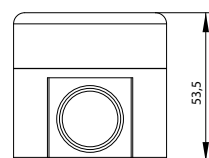
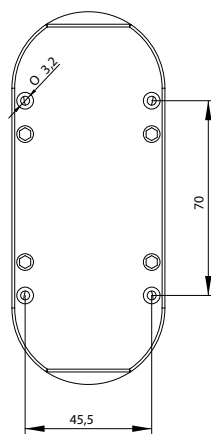
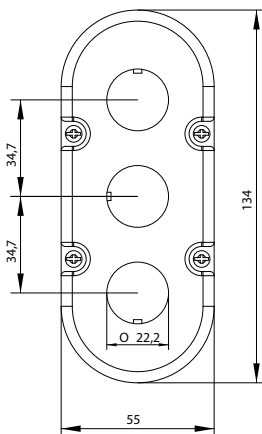
Single station enclosure



Two station enclosure



Three station enclosure



Two station push-button with integral push buttons

