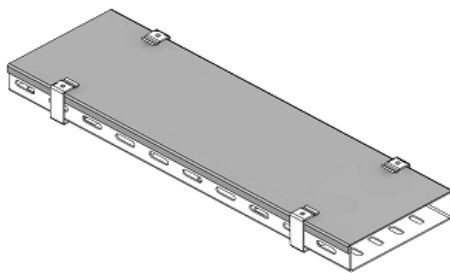
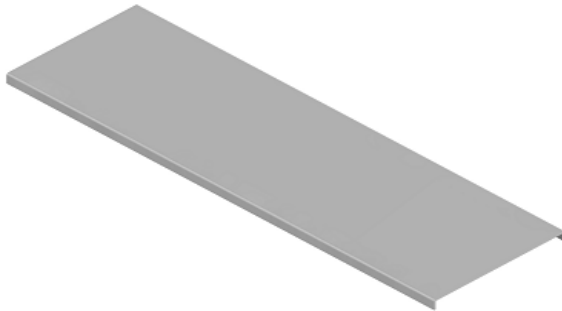


Cable Tray Covers - KK Series


Model Number	Width (W) (mm)	Plate Thick. (T) (mm)	Weight kg/m	Order Code (PG)
KK 05 06	50	0,60	0,358	3000 13 050 06 1
KK 05 08	50	0,80	0,477	3000 13 050 08 1
KK 10 06	100	0,60	0,593	3000 13 100 06 1
KK 10 08	100	0,80	0,791	3000 13 100 08 1
KK 16 06	160	0,60	0,876	3000 13 160 06 1
KK 16 08	160	0,80	1,168	3000 13 160 08 1
KK 20 08	200	0,80	1,419	3000 13 200 08 1
KK 20 10	200	1,00	1,774	3000 13 200 10 1
KK 26 08	260	0,80	1,796	3000 13 260 08 1
KK 26 10	260	1,00	2,245	3000 13 260 10 1
KK 30 08	300	0,80	2,047	3000 13 300 08 1
KK 30 10	300	1,00	2,559	3000 13 300 10 1
KK 40 10	400	1,00	3,344	3000 13 400 10 1
KK 40 15	400	1,50	5,016	3000 13 400 15 1
KK 50 10	500	1,00	4,129	3000 13 500 10 1
KK 50 15	500	1,50	6,194	3000 13 500 15 1
KK 60 10	600	1,00	4,914	3000 13 600 10 1
KK 60 15	600	1,50	7,371	3000 13 600 15 1

*Standard Length(L) 3000mm / on request 2500mm

*Each length of tray cover needs 4 pcs of cover clamps

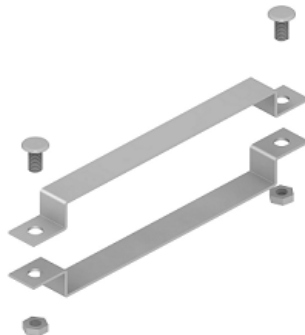
*PG: Steel, Pregalvanised ISO EN 10327 (TS 822)

PG	HDG	EPOXY	AISI 304	AISI 316
+	+	+	+	+

Cover Clamp- KT/1


Model Number	Height (mm)	Plate Thick. (T) (mm)	Weight kg/pcs	Order Code (PG)
KT/1 25	25	2,00	0,026	3901 25 000 20 1
KT/1 40	40	2,00	0,031	3901 40 000 20 1
KT/1 50	50	2,00	0,034	3901 50 000 20 1
KT/1 60	60	2,00	0,037	3901 60 000 20 1
KT/1 80	80	2,00	0,043	3901 80 000 20 1
KT/1 100	100	2,00	0,049	3901 10 000 20 1

*PG: Steel, Pregalvanised ISO EN 10327 (TS 822)

Cover Holder- KT/2


Model Number	Width (W) (mm)	Height (H) (mm)	Weight kg/set	Order Code (PG)
KT/2 405	50	40,00	0,080	3902 40 050 15 1
KT/2 410	100	40,00	0,104	3902 40 100 15 1
KT/2 416	160	40,00	0,132	3902 40 160 15 1
KT/2 420	200	40,00	0,151	3902 40 200 15 1
KT/2 426	260	40,00	0,179	3902 40 260 15 1
KT/2 430	300	40,00	0,264	3902 40 300 20 1
KT/2 440	400	40,00	0,327	3902 40 400 20 1
KT/2 450	500	40,00	0,389	3902 40 500 20 1
KT/2 460	600	40,00	0,452	3902 40 600 20 1

*Each holder set include 2 sets of M8 Bolt and Nuts

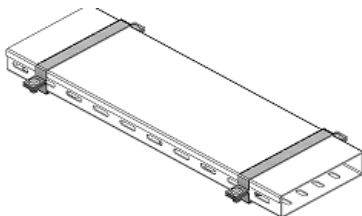
*The product may be produced in any requested height

*PG: Steel, Pregalvanised ISO EN 10327 (TS 822)

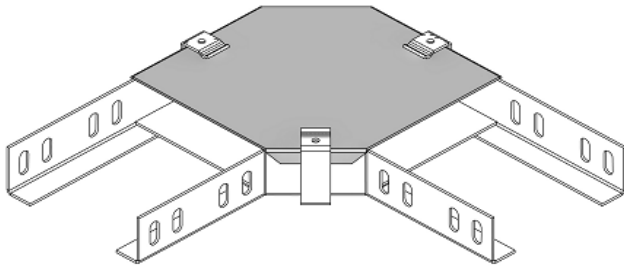
ORDER CODES PRINCIPLE FOR SOME OTHER STANDARD HEIGHTS

H:25	H:50	H:60	H:80	H:100
KT/2 2...	KT/2 5...	KT/2 6...	KT/2 8...	KT/2 1...

For example: If you need to order the clamp for tray 300x60mm, the order code is KT/2 630

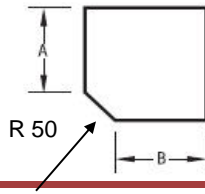


90° Horizontal Bend Covers



Order Code	Radius
------------	--------

3021.....	R:150
3022.....	R:300
3023.....	R:450
3024.....	R:600



Model Number	Width (W) (mm)	Plate Thick. (T) (mm)	Weight kg/pcs	Order Code (PG)
KK90 05 10	50	1,00	0,079	3020 13 050 10 1
KK90 10 10	100	1,00	0,177	3020 13 100 10 1
KK90 16 10	160	1,00	0,346	3020 13 160 10 1
KK90 20 12	200	1,20	0,589	3020 13 200 12 1
KK90 26 12	260	1,20	0,905	3020 13 260 12 1
KK90 30 12	300	1,20	1,154	3020 13 300 12 1
KK90 40 15	400	1,50	2,384	3020 13 400 15 1
KK90 50 15	500	1,50	3,562	3020 13 500 15 1
KK90 60 15	600	1,50	4,975	3020 13 600 15 1

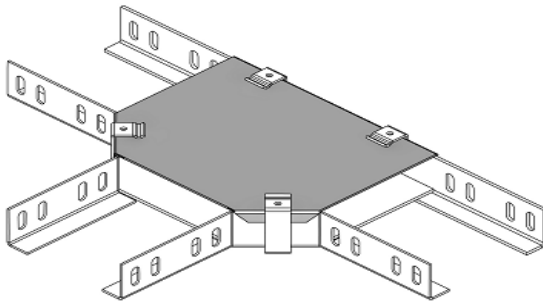
*Required 3 pcs of Cover Clamps for fixing to trays

*Please specify A and B dimensions if order unequal bend cover / different radius cover

*PG: Steel, Pregalvanised ISO EN 10327 (TS 822)

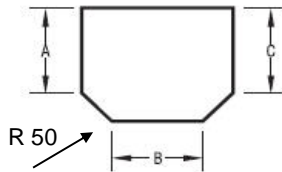
PG	HDG	EPOXY	AISI 304	AISI 316
+	+	+	+	+

Tee Horizontal Bend Covers



Order Code	Radius
------------	--------

3031.....	R:150
3032.....	R:300
3033.....	R:450
3034.....	R:600



Model Number	Width (W) (mm)	Plate Thick. (T) (mm)	Weight kg/pcs	Order Code (PG)
KKT 05 10	50	1,00	0,118	3030 13 050 10 1
KKT 10 10	100	1,00	0,236	3030 13 100 10 1
KKT 16 10	160	1,00	0,429	3030 13 160 10 1
KKT 20 12	200	1,20	0,707	3030 13 200 12 1
KKT 26 12	260	1,20	1,051	3030 13 260 12 1
KKT 30 12	300	1,20	1,319	3030 13 300 12 1
KKT 40 15	400	1,50	2,649	3030 13 400 15 1
KKT 50 15	500	1,50	3,886	3030 13 500 15 1
KKT 60 15	600	1,50	5,358	3030 13 600 15 1

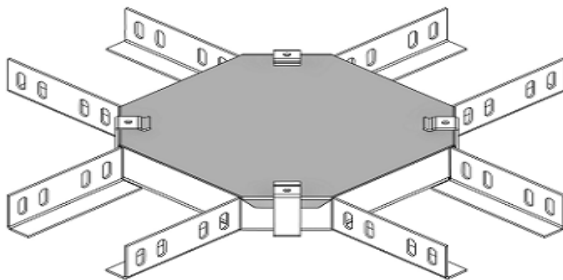
*Required 4 pcs of Cover Clamps for fixing to trays

*Please specify A and B dimensions if order unequal bend cover / different radius cover

*PG: Steel, Pregalvanised ISO EN 10327 (TS 822)

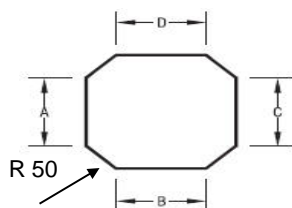
PG	HDG	EPOXY	AISI 304	AISI 316
+	+	+	+	+

Crossing Horizontal Bend Covers



Order Code	Radius
------------	--------

3041.....	R:150
3042.....	R:300
3043.....	R:450
3044.....	R:600



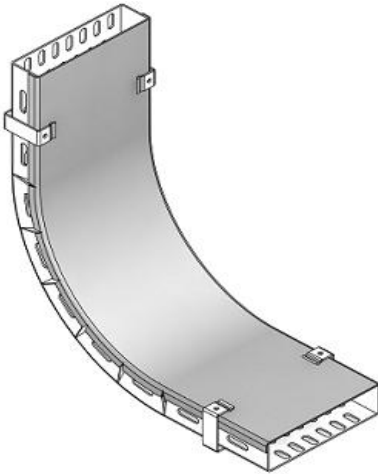
Model Number	Width (W) (mm)	Plate Thick. (T) (mm)	Weight kg/pcs	Order Code (PG)
KKD 05 10	50	1,00	0,133	3040 13 050 10 1
KKD 10 10	100	1,00	0,254	3040 13 100 10 1
KKD 16 10	160	1,00	0,452	3040 13 160 10 1
KKD 20 12	200	1,20	0,739	3040 13 200 12 1
KKD 26 12	260	1,20	1,089	3040 13 260 12 1
KKD 30 12	300	1,20	1,360	3040 13 300 12 1
KKD 40 15	400	1,50	2,713	3040 13 400 15 1
KKD 50 15	500	1,50	3,961	3040 13 500 15 1
KKD 60 15	600	1,50	5,445	3040 13 600 15 1

*Required 4 pcs of Cover Clamps for fixing to trays

*Please specify A and B dimensions if order unequal bend cover / different radius cover

*PG: Steel, Pregalvanised ISO EN 10327 (TS 822)

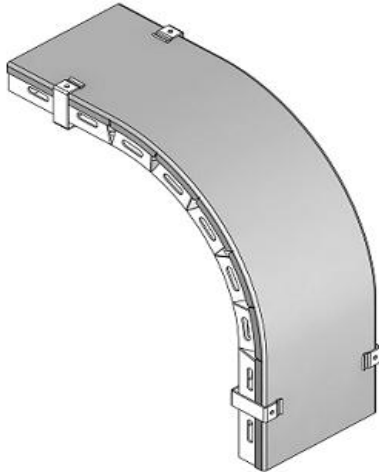
PG	HDG	EPOXY	AISI 304	AISI 316
+	+	+	+	+

90° Vertical Bend Covers


Model Number	Width (W) (mm)	Plate Thick. (T) (mm)	Weight kg/pcs	Order Code (PG)
KKIB 05 08	50	0,80	0,310	3050 13 050 08 1
KKIB 10 08	100	0,80	0,514	3050 13 100 08 1
KKIB 16 08	160	0,80	0,759	3050 13 160 08 1
KKIB 20 10	200	1,00	1,153	3050 13 200 10 1
KKIB 26 10	260	1,00	1,459	3050 13 260 10 1
KKIB 30 10	300	1,00	1,663	3050 13 300 10 1
KKIB 40 15	400	1,50	3,260	3050 13 400 15 1
KKIB 50 15	500	1,50	4,026	3050 13 500 15 1
KKIB 60 15	600	1,50	4,791	3050 13 600 15 1

*Each pieces required 4 pcs of Cover Clamps for fixing to vertical bend
 *Flexible Vertical bend delivered in plain position and may be used for 30, 60, 90 degrees
 *PG: Steel, Pregalvanised ISO EN 10327 (TS 822)

PG	HDG	EPOXY	AISI 304	AISI 316
+	+	+	+	+

90° Vertical Bend Covers


Model Number	Width (W) (mm)	Plate Thick. (T) (mm)	Weight kg/pcs	Order Code (PG)
KKDB 05 08	50	0,80	0,310	3050 13 050 08 1
KKDB 10 08	100	0,80	0,514	3050 13 100 08 1
KKDB 16 08	160	0,80	0,759	3050 13 160 08 1
KKDB 20 10	200	1,00	1,153	3050 13 200 10 1
KKDB 26 10	260	1,00	1,459	3050 13 260 10 1
KKDB 30 10	300	1,00	1,663	3050 13 300 10 1
KKDB 40 15	400	1,50	3,260	3050 13 400 15 1
KKDB 50 15	500	1,50	4,026	3050 13 500 15 1
KKDB 60 15	600	1,50	4,791	3050 13 600 15 1

*Each pieces required 4 pcs of Cover Clamps for fixing to vertical bend
 *Flexible Vertical bend delivered in plain position and may be used for 30, 60, 90 degrees
 *PG: Steel, Pregalvanised ISO EN 10327 (TS 822)

PG	HDG	EPOXY	AISI 304	AISI 316
+	+	+	+	+