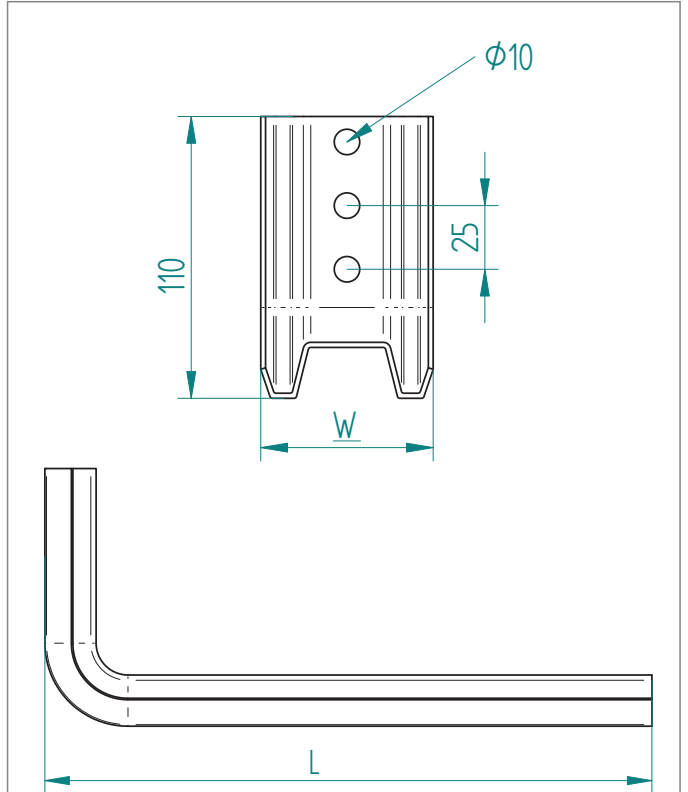
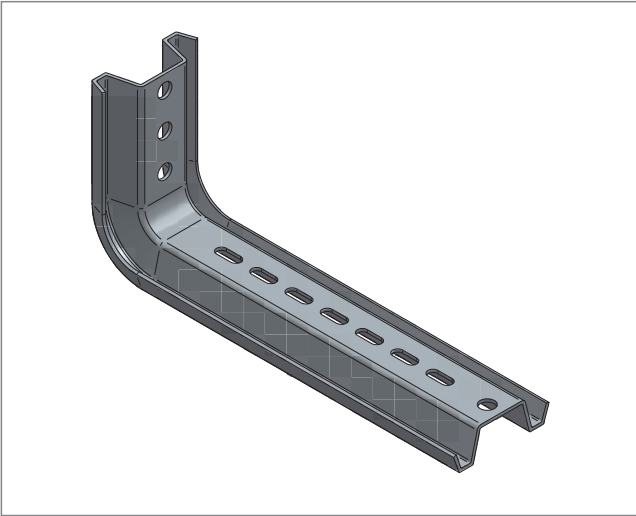
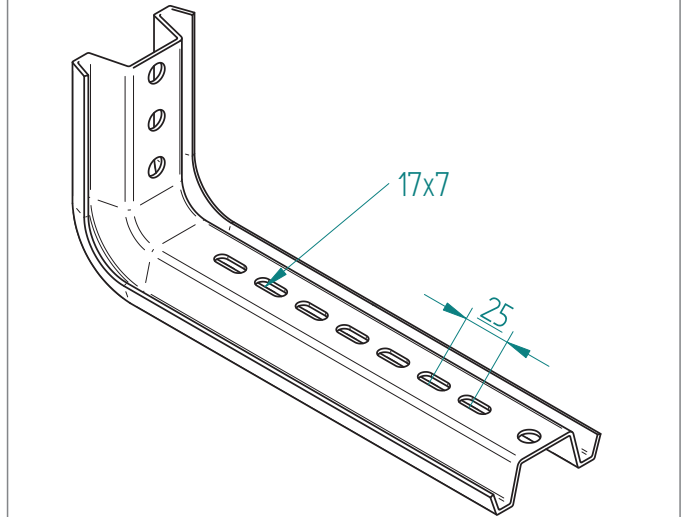


Pre - Galvanized

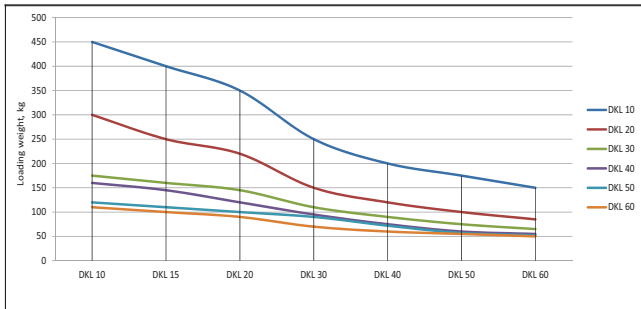
Omega "L" Bracket PG



Product Code	L mm	W mm	T mm	Kg
DKL 10 PG	100	60	2,0	
DKL 15 PG	150	60	2,0	
DKL 20 PG	200	60	2,0	
DKL 22 PG	225	60	2,0	
DKL 25 PG	250	60	2,0	
DKL 30 PG	300	60	2,0	
DKL 40 PG	400	60	2,0	
DKL 45 PG	450	60	2,0	
DKL 50 PG	500	60	2,0	



LOAD CAPACITY TABLE FOR OMEGA BRACKETS



TEST CONDITIONS;
SAFETY FACTOR = 1.5

NOTE: Preliminary test values

- **Material**
EN 10346 / EN 10142
- **Surface Protection**
Pre-Galvanized
- **Dimensions in mm.**
Material weights can be variable $\pm 10\%$