



MASTER CityWhite CDO-TT

MASTER CityWhite CDO-TT Plus 150W/828 E40

Ceramic metal halide lamp with clear tubular outer bulb shape, used in outdoor offering pleasant white light

Product data

General Information	
Cap-Base	E40 [E40]
Operating Position	UNIVERSAL [Any or Universal (U)]
Life to 5% Failures (Nom)	18000 h
Life to 10% Failures (Nom)	20000 h
Life to 20% Failures (Nom)	22500 h
Life to 50% Failures (Nom)	27000 h
LSF 2000 h Rated	99 %
LSF 4000 h Rated	99 %
LSF 6000 h Rated	99 %
LSF 8000 h Rated	99 %
LSF 12000 h Rated	99 %
LSF 16000 h Rated	97 %
LSF 20000 h Rated	90 %

Light Technical	
Color Code	828 [CCT of 2800K]
Luminous Flux (Rated) (Nom)	16500 lm
Color Designation	Warm White (WW)
Chromaticity Coordinate X (Nom)	445
Chromaticity Coordinate Y (Nom)	395

Correlated Color Temperature (Nom)	2800 K
Luminous Efficacy (Rated) (Nom)	110 lm/W
Color Rendering Index (Nom)	87
LLMF 2000 h Rated	95 %
LLMF 4000 h Rated	92 %
LLMF 6000 h Rated	90 %
LLMF 8000 h Rated	88 %
LLMF 12000 h Rated	85 %
LLMF 16000 h Rated	82 %
LLMF 20000 h Rated	80 %
Ratio Scotopic/Photopic Lumens	1.30

Operating and Electrical	
Power (Rated) (Nom)	148.0 W
Lamp Current Run-Up (Max)	3.0 A
Lamp Current (EM) (Nom)	1.8 A
Ignition Peak Voltage (Max)	5000 V
Ignition Supply Voltage (Min)	198 V
Re-Ignition Time (Min) (Max)	900 s
Ignition Time (Max)	30 s
Voltage (Max)	106 V

MASTER CityWhite CDO-TT

Voltage (Min)	90 V
Voltage (Nom)	98 V
Controls and Dimming	
Dimmable	Yes
Run-Up Time 90% (Max)	3 min
Mechanical and Housing	
Bulb Finish	Clear
Approval and Application	
Energy Efficiency Label (EEL)	A+
Mercury (Hg) Content (Nom)	15.8 mg
Energy Consumption kWh/1000 h	162 kWh
UV	
Pet (Niosh) (Min)	8 h/500lx

Luminaire Design Requirements

Bulb Temperature (Max)	450 °C
Cap-Base Temperature (Max)	250 °C

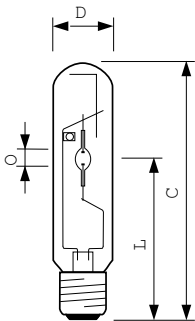
Product Data

Full product code	871829112034600
Order product name	MASTER CityWhite CDO-TT Plus 150W/828 E40
EAN/UPC - Product	8718291120346
Order code	928082219231
Numerator - Quantity Per Pack	1
Numerator - Packs per outer box	12
Material Nr. (12NC)	928082219231
Net Weight (Piece)	0.135 kg
ILCOS Code	MT/UB-150/828-H-E40-48/211

Warnings and Safety

- Use only in totally enclosed luminaire, even during testing (IEC61167, IEC 62035, IEC60598)
- The luminaire must be able to contain hot lamp parts if the lamp ruptures
- Lamps may use electromagnetic control gear or electronic gear suitable to drive CDO lamps (e.g. HID-PV Xt CDO)
- Control gear must include end-of-life protection (IEC61167, IEC 62035)
- Warm restart time can be up to 15 minutes; T15 ignitors therefore advised
- A lamp breaking is extremely unlikely to have any impact on your health. If a lamp breaks, ventilate the room for 30 minutes and remove the parts, preferably with gloves. Put them in a sealed plastic bag and take it to your local waste facilities for recycling. Do not use a vacuum cleaner.

Dimensional drawing

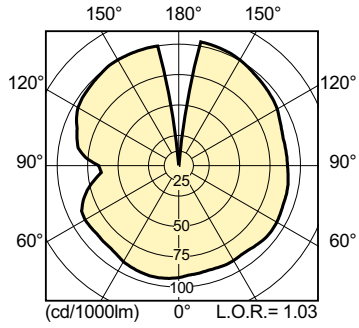


CDO-TT Plus 150W/828 E40

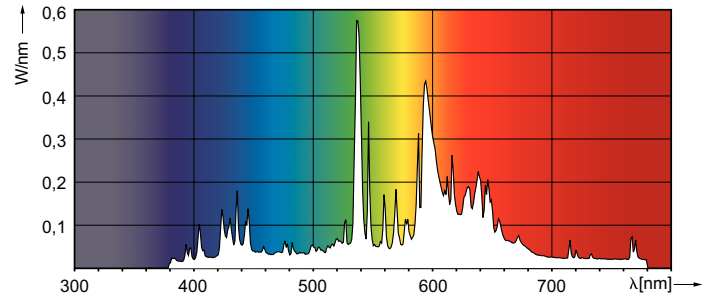
Product	D (max)	O	L	C (max)
MASTER CityWhite CDO-TT Plus 150W/828 E40	47 mm	10 mm	132 mm	211 mm

MASTER CityWhite CDO-TT

Photometric data

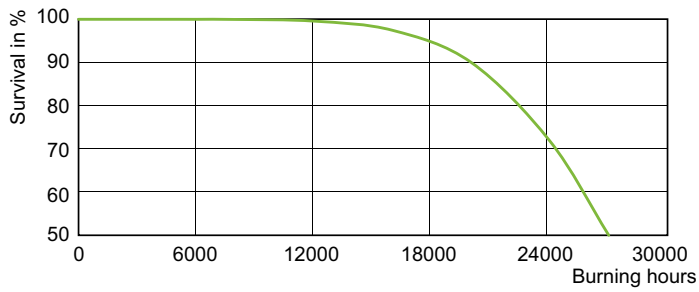


CDO-TT Plus 150W /828 E40

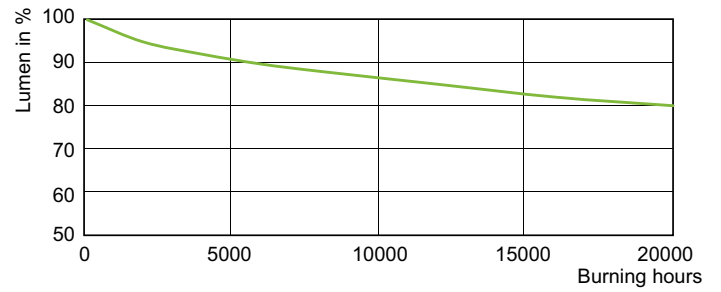


MASTER CityWhite CDO-TT Plus /828

Lifetime



CDO-TT Plus 100W, 150W Life Expectancy



CDO-TT Plus 100W, 150W Lumen Maintenance

