

# PHILIPS

## Lighting



# MASTERColour CDM-TD

## MASTERColour CDM-TD 150W/942 RX7s 1CT

Range of double-ended, compact, high-efficiency, discharge lamps with a stable color over lifetime and a crisp, sparkling light

### Product data

General Information		Operating and Electrical	
Cap-Base	RX7S [ RX7s]	Correlated Color Temperature (Nom)	4200 K
Operating Position	P45 [ Parallel +/-45D or Horizontal(HOR)]	Luminous Efficacy (Rated) (Nom)	87 lm/W
Life to 5% Failures (Nom)	9000 h	Color Rendering Index (Nom)	96
Life to 10% Failures (Nom)	13000 h	Power (Rated) (Nom)	150.0 W
Life to 20% Failures (Nom)	15000 h	Lamp Current Run-Up (Max)	2.5 A
Life to 50% Failures (Nom)	16000 h	Lamp Current (EM) (Nom)	1.8 A
ANSI Code HID	M142/E	Ignition Supply Voltage (Max)	198 V
Color Code	942 [ CCT of 4200K]	Ignition Peak Voltage (Max)	5000 V
Luminous Flux (Nom)	13750 lm	Ignition Supply Voltage (Min)	198 V
Luminous Flux (Rated) (Nom)	13750 lm	Re-Ignition Time (Min) (Max)	15 min
Color Designation	Cool White (CW)	Ignition Time (Max)	30 s
Lumen Maintenance 10000 h (Nom)	70 %	Voltage (Max)	110 V
Lumen Maintenance 2000 h (Min)	80 %	Voltage (Min)	96 V
Lumen Maintenance 2000 h (Nom)	90 %	Voltage (Nom)	103 V
Lumen Maintenance 5000 h (Min)	75 %	Controls and Dimming	
Lumen Maintenance 5000 h (Nom)	85 %	Dimmable	No
Chromaticity Coordinate X (Nom)	0.380	Run-Up Time 90% (Max)	3 min
Chromaticity Coordinate Y (Nom)	0.375		

# MASTERCLOUR CDM-TD

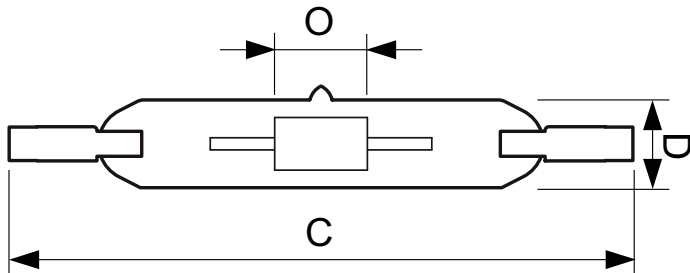
Mechanical and Housing	
Bulb Finish	Clear
Approval and Application	
Energy Efficiency Label (EEL)	A+
Mercury (Hg) Content (Nom)	8.29 mg
Energy Consumption kWh/1000 h	165 kWh
UV	
Pet (Niosh) (Min)	8 h/500lx
Damage Factor D/fc (Max)	0.4
Luminaire Design Requirements	
Bulb Temperature (Max)	650 °C

Pinch Temperature (Max)	300 °C
Product Data	
Full product code	871150020025915
Order product name	MASTERCLOUR CDM-TD 150W/942 RX7s 1CT
EAN/UPC - Product	8711500200259
Order code	928084805133
Numerator - Quantity Per Pack	1
Numerator - Packs per outer box	12
Material Nr. (12NC)	928084805133
Net Weight (Piece)	26.700 g
ILCOS Code	MD/UB-150/942-H-RX7s-25/135.4

## Warnings and Safety

- Use only in totally enclosed luminaire, even during testing (IEC61167, IEC 62035, IEC60598)
- The luminaire must be able to contain hot lamp parts if the lamp ruptures
- Lamps may use electronic or electromagnetic control gear
- Control gear must include end-of-life protection (IEC61167, IEC 62035)
- A lamp breaking is extremely unlikely to have any impact on your health. If a lamp breaks, ventilate the room for 30 minutes and remove the parts, preferably with gloves. Put them in a sealed plastic bag and take it to your local waste facilities for recycling. Do not use a vacuum cleaner.

## Dimensional drawing

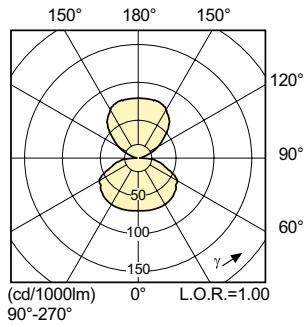


Product	D (max)	D	O	C (max)
MASTERCLOUR CDM-TD 150W/942 RX7s 1CT	25 mm	0.875 in	10 mm	137.43 mm

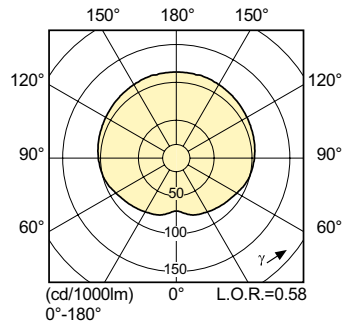
CDM-TD 150W/942 RX7s

# MASTERColour CDM-TD

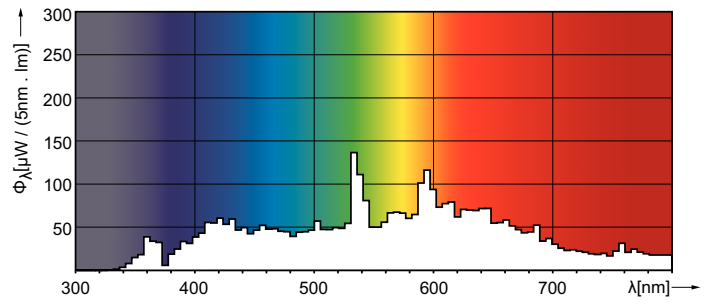
## Photometric data



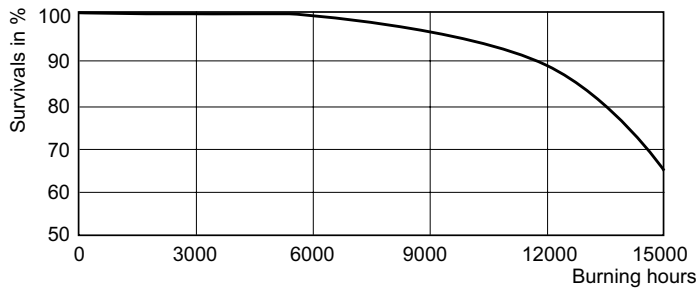
CDM-TD 150 W /942



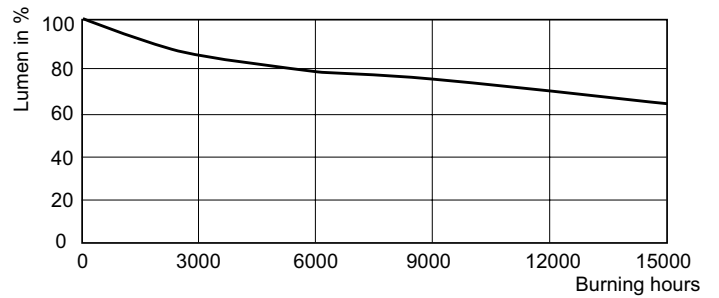
MASTERColour CDM-TD /942



## Lifetime



CDM-TD Life Expectancy



CDM-TD Lumen Maintenance

