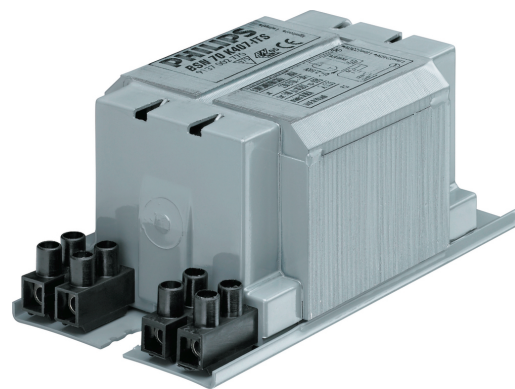


PHILIPS

Lighting



HID-Basic BSN/BMH MK4 semi-parallel for SON/CDO/CDM/MH/HPI

BSN 70 K302-I 230V 50Hz BC1-118

Impregnated electromagnetic copper ballasts for use with an external semi-parallel ignitor for CDM, CDO, MH, HPI (Plus) and SON lamps

Product data

General Information	
Application Code	K302-I
Design	BC1-118
Number of Lamps	1 piece/unit

Operating and Electrical	
Input Voltage	230 V
Input Frequency	50 Hz
Power Factor 100% Load (Nom)	0.35
Mains Voltage Performance (AC)	-8%+6%
Mains Voltage Safety (AC)	-10%+10%
Input Current with PF Correction	0.60 A
Input Current without PF Correction	0.98 A

Wiring	
Wire Striplength	7.0 mm
Ballast Contact Wire Cross Section	2.5 mm ²
Connector Type	Screw

System characteristics	
Capacitor	12 μ F/250V
Rated Ballast-Lamp Power	70 W
Recommended Ignitor	for SON/CDO/CDM lamps ignitor SKD 578 (913700655366) or series digital SUD10 (913700195891)

Temperature	
T-Storage (Max)	130 °C
T-Storage (Min)	-30 °C
T-Winding (Max)	140 °C
Delta-T Normal Conditions	75 °C

Approval and Application	
Active Temperature Protection	Yes
Approval Marks	CE marking ENEC certificate

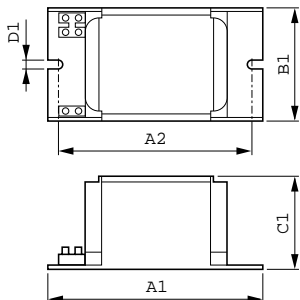
Product Data	
Full product code	872790094051000
Order product name	BSN 70 K302-I 230V 50Hz BC1-118

HID-Basic BSN/BMH MK4 semi-parallel for SON/CDO/CDM/MH/HPI

EAN/UPC - Product	8727900940510
Order code	913700282626
Numerator - Quantity Per Pack	1
Numerator - Packs per outer box	6

Material Nr. (12NC)	913700282626
Net Weight (Piece)	1.230 kg

Dimensional drawing



Product	D1	C1	A1	A2	B1
BSN 70 K302-I 230V 50Hz	6.2 mm	52.0 mm	118.0 mm	94.0 mm	61.0 mm
BC1-118					

BSN 70 K302-I 230V 50Hz BC1-118

