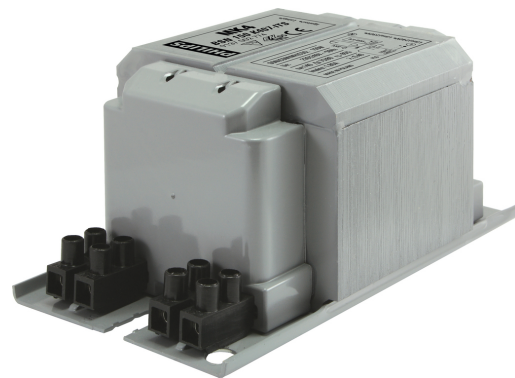


PHILIPS

Lighting



HID-Basic BSN/BMH semi-parallel for SON/CDO/CDM/MH/HPI

BSN 150 K302-I 230V 50Hz BC2-126

Impregnated electromagnetic copper ballasts for use with an external semi-parallel ignitor for CDM, CDO, MH, HPI (Plus) and SON lamps

Product data

General Information

Application Code	K302-I
Design	BC2-126
Lamp Type	SON/MH/CDM/CDO
Number of Lamps	1 piece/unit

Operating and Electrical

Input Voltage	230 V
Input Frequency	50 Hz
Mains Voltage Performance (AC)	-8%+6%
Mains Voltage Safety (AC)	-10%+10%
Input Current with PF Correction	0.85 A
Input Current without PF Correction	1.8 A
Power Factor without PF Compensation (Nom)	0.40

Wiring

Ballast Contact Wire Cross Section	1.00-2.50 mm ²
Connector Type	Screw

System characteristics

Capacitor	18 μ F/250V
Rated Ballast-Lamp Power	150 W
Recommended Ignitor	for SON/CDO/CDM lamps ignitor SKD 578 (913700655366)

Temperature

Delta-T Normal Conditions	80 °C
---------------------------	-------

Approval and Application

Active Temperature Protection	Yes
Approval Marks	CE marking ENEC certificate

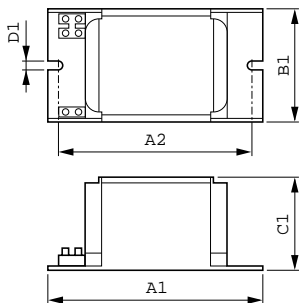
Product Data

Full product code	872790092827300
Order product name	BSN 150 K302-I 230V 50Hz BC2-126
EAN/UPC - Product	8727900928273
Order code	913700283026
Numerator - Quantity Per Pack	1

HID-Basic BSN/BMH semi-parallel for SON/CDO/CDM/MH/HPI

Numerator - Packs per outer box	6
Material Nr. (12NC)	913700283026
Net Weight (Piece)	2.030 kg

Dimensional drawing



Product	C1	A1	B1
BSN 150 K302-I 230V 50Hz BC2-126	65.0 mm	126.0 mm	76.0 mm

BSN 150 K302-I 230V 50Hz BC2-126

