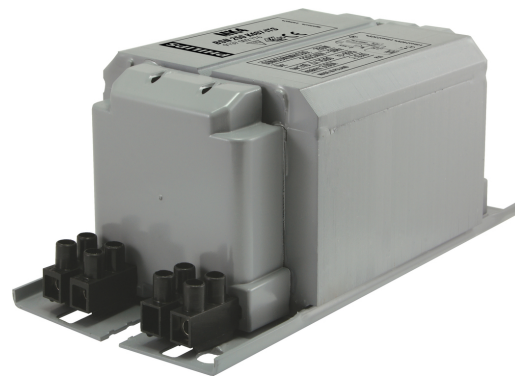


# PHILIPS

## Lighting



# HID-Basic BSN/BMH MK4 semi-parallel for SON/CDO/CDM/MH/HPI

## BSN 250 K302-I 230V 50Hz BC2-151

Impregnated electromagnetic copper ballasts for use with an external semi-parallel ignitor for CDM, CDO, MH, HPI (Plus) and SON lamps

### Product data

General Information	
Application Code	K302-I
Design	BC2-151
Number of Lamps	1 piece/unit

Operating and Electrical	
Input Voltage	230 V
Input Frequency	50 Hz
Power Factor 100% Load (Nom)	0.4
Mains Voltage Performance (AC)	-8%+6%
Mains Voltage Safety (AC)	-10%+10%
Input Current with PF Correction	0.85 A

Wiring	
Ballast Contact Wire Cross Section	2.5 mm <sup>2</sup>
Connector Type	Screw

System characteristics	
Capacitor	32µF/250V

Rated Ballast-Lamp Power	250 W
Recommended Ignitor	for SON/CDO/CDM lamps ignitor SKD 578 (913700655366)

Temperature	
T-Storage (Max)	130 °C
T-Storage (Min)	-30 °C
T-Winding (Max)	140 °C
Delta-T Normal Conditions	85 °C

Approval and Application	
Active Temperature Protection	Yes
Approval Marks	CE marking ENEC certificate

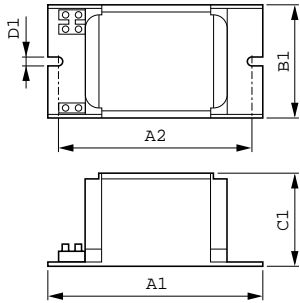
  

Product Data	
Full product code	872790094080000
Order product name	BSN 250 K302-I 230V 50Hz BC2-151
EAN/UPC - Product	8727900940800
Order code	913700283126
Numerator - Quantity Per Pack	1

## HID-Basic BSN/BMH MK4 semi-parallel for SON/CDO/CDM/MH/HPI

Numerator - Packs per outer box	6
Material Nr. (12NC)	913700283126
Net Weight (Piece)	2.980 kg

### Dimensional drawing



Product	D1	C1	A1	A2	B1
BSN 250 K302-I 230V 50Hz	6.2 mm	65.0 mm	157.0 mm	129.0 mm	76.0 mm
BC2-151					

BSN 250 K302-I 230V 50Hz BC2-151

