



Malaga SGS102

SGS102 SON-T100W II MR-AS SKD 42/60

MALAGA - SON-T - 100 W - Safety class II - Moveable reflector with Allen screw - Digital semi-parallel MK4 - Universal for diameter 42 to 60 mm

Malaga is a versatile road-lighting luminaire. It offers modern styling and quality lighting for safe and comfortable driving, and for area illumination, with low investment and maintenance costs. The optical system has been designed to deliver good beam control and light output. Malaga provides optimal illuminance and good uniformity when the mounting height approximately equals the road width and the mast spacing is approximately 3.5 times the road width. It is suitable for post-top and side-entry mounting; a wall-mounting bracket is also available.

Product data

General Information		Product family code	
Number of light sources	1 pc	SGS102 [MALAGA]	
Lamp family code	SON-T [SON-T]	Light Technical	
Lamp power	100 W	Standard tilt angle posttop	15°
Cap-Base	E40 [E40]	Standard tilt angle side entry	15°
Kombipack	-	Operating and Electrical	
Gear	CONV [Conventional]	Input Voltage	230 to 240 V
Optical cover/lens type	Polycarbonate bowl/cover	Ignitor	Digital semi-parallel MK4
Light regulation	-	Mechanical and Housing	
Protection class IEC	Safety class II	Mounting device	Universal for diameter 42 to 60 mm
CE mark	CE mark		
ENEC mark	ENEC mark		
Optic type outdoor	Moveable reflector with Allen screw		
Photocell	-		

Malaga SGS102

Approval and Application

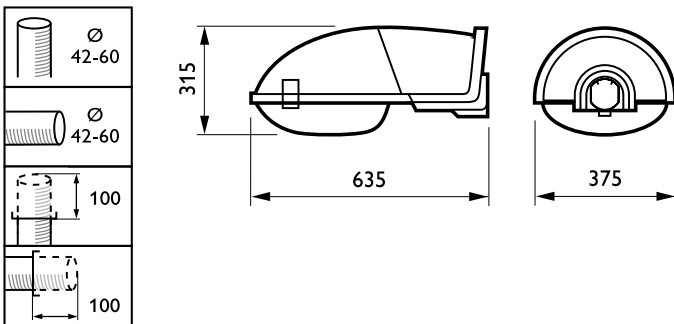
Ingress protection code	IP43/65 [Wire-protected, rain/spray-proof; dust penetration-protected, jet-proof]
Mech. impact protection code	IK08 [5 J vandal-protected]

Product Data

Full product code	872790063462400
Order product name	SGS102 SON-T100W II MR-AS SKD 42/60
EAN/UPC - Product	8727900634624

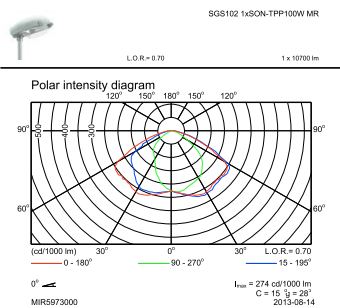
Order code	910925813312
Numerator - Quantity Per Pack	1
Numerator - Packs per outer box	1
Material Nr. (12NC)	910925813312
Net Weight (Piece)	5.600 kg

Dimensional drawing



SGS102

Photometric data



OFPC1_SGS102 1xSON-TPP100W MR.EPS

