



Tempo 3 RVP351

RVP351 HPI-TP400W K IC S

MASTER HPI-T Plus - 400 W - Symmetrical

Tempo is a complete floodlighting range offering a wide choice of lamp types and symmetrical and asymmetrical reflectors. It is designed for general-purpose floodlighting, and is particularly suited to small- to medium-scale area or surface lighting. The Tempo series' compact housing guarantees optimum visual integration. Anodized-aluminum reflectors ensure a highly efficient beam distribution, while the nylon bolt caps feature a goniometric aiming device for easy adjustment and alignment. A universal mounting bracket allows ceiling, wall or surface mounting with a wide range of adjustment for both down- and uplighting. Tempo's all-weather construction is designed to make cleaning and servicing easy and fast. Access to the lamp and gear is simple, via the hinged front glass with its quick-release stainless-steel clips. All Tempo luminaires are RoHS-compliant.

Product data

General Information		CE mark	CE mark
Number of light sources	1 pc	ENEC mark	-
Lamp family code	HPI-TP [MASTER HPI-T Plus]	Warranty period	1 years
Lamp power	400 W	Optic type outdoor	Symmetrical
Light source color	645 neutral white	Constant light output	No
Kombipack	Lamp(s) included	RoHS mark	RoHS mark
Compensation circuit	Inductive parallel compensated	Light Technical	
Gear	CONV [Conventional]	Upward light output ratio	0
Optical cover/lens type	Flat glass	Operating and Electrical	
Connection	Screw connection block 3-pole	Input Voltage	230 V
Cable	-	Input Frequency	50 Hz
Protection class IEC	Safety class I		
Glow-wire test	Temperature 850 °C, duration 5 s		

Tempo 3 RVP351

Initial CLO power consumption	{NO} - W
End CLO power consumption	{NO} - W
Power Factor (Min)	0.85

Controls and Dimming

Dimmable	No
----------	----

Mechanical and Housing

Housing Material	Aluminum die-cast
Reflector material	Aluminum
Optic material	Aluminum
Optical cover/lens material	Glass
Fixation material	Steel
Optical cover/lens shape	Flat
Optical cover/lens finish	Clear
Overall length	428 mm
Overall width	464 mm
Overall height	146 mm
Effective projected area	0.165 m ²
Diameter	-

Approval and Application

Ingress protection code	IP65 [Dust penetration-protected, jet-proof]
-------------------------	-----------------------------------------------

Mech. impact protection code	IK07 [2 J reinforced]
------------------------------	------------------------

Initial Performance (IEC Compliant)

Init. Corr. Color Temperature	4500 K
Init. Color Rendering Index	65

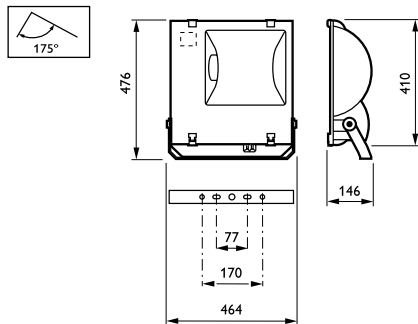
Application Conditions

Ambient temperature range	-25 to +35 °C
---------------------------	---------------

Product Data

Full product code	871155914973800
Order product name	RVP351 HPI-TP400W K IC S
EAN/UPC - Product	8711559149738
Order code	910502548718
Numerator - Quantity Per Pack	1
Numerator - Packs per outer box	1
Material Nr. (12NC)	910502548718
Net Weight (Piece)	8.500 kg

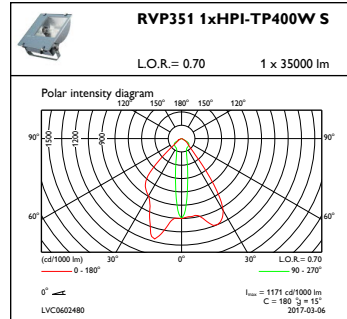
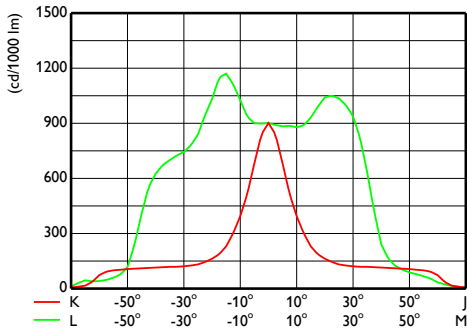
Dimensional drawing



Tempo 3 RVP351

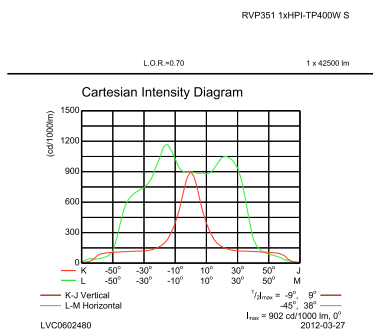
Tempo 3 RVP351

Photometric data



OFCS1_RVP3511xHPI-TP400WS

OFPC1_RVP3511xHPI-TP400WS



OFCC1_RVP351 1xHPI-TP400W S.EPS

