

HID-HeavyDuty BSN semi-parallel for SON/CDO/MH/HPI

BSN 70 L33-A2-TS 230V 50Hz HD1-118

Encapsulated electromagnetic copper/iron ballasts for use with an external semi-parallel ignitor for CDM, CDO, MH, HPI (Plus) and SON lamps

Product data

General Information	
Application Code	L33-A2-TS
Design	HD1-118
Lamp Type	SON/CDO
Number of Lamps	1 piece/unit
Operating and Electrical	
Input Voltage	230 V
Input Frequency	50 Hz
Power Factor 100% Load (Nom)	0.87
Mains Voltage Performance (AC)	-8% +6%
Mains Voltage Safety (AC)	-10% +10%
Input Current with PF Correction	0.45 A
Input Current without PF Correction	1.00 A
Power Factor without PF Compensation (Nom)	0.35
Power Losses (Nom)	11.0 W
Wiring	
Wire Striplength	7.0 mm

Ballast Contact Wire Cross Section	0.70-6.00 mm ²
Connector Type	Screw
System characteristics	
Capacitor	12µF/250V
Rated Ballast-Lamp Power	70 W
Recommended Ignitor	for SON/CDO lamps SND57 (913700184966) or series digital SUD10 (913700195891)
Temperature	
T-Storage (Max)	130 °C
T-Storage (Min)	-30 °C
T-Winding (Max)	130 °C
Delta-T Normal Conditions	55 °C
Approval and Application	
Active Temperature Protection	Yes
Approval Marks	CE marking ENEC certificate

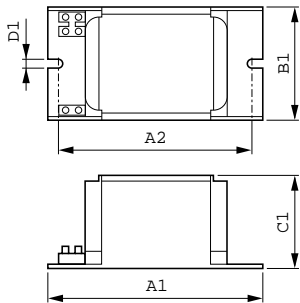
HID-HeavyDuty BSN semi-parallel for SON/CDO/MH/HPI

Product Data

Full product code	871150005968031
Order product name	BSN 70 L33-A2-TS 230V 50Hz HD1-118
EAN/UPC - Product	8711500059680
Order code	913700226526
Numerator - Quantity Per Pack	1

Numerator - Packs per outer box	6
Material Nr. (12NC)	913700226526
Net Weight (Piece)	1.280 kg

Dimensional drawing



Product	D1	C1	A1	A2	B1
BSN 70 L33-A2-TS 230V 50Hz HD1-118	6.2 mm	53.0 mm	118.0 mm	103.0 mm	65.0 mm

BSN 70 L33-TS 230V 50Hz HD1-118

