



# Ledinaire floodlight mini

## BVP105 LED45/840 PSU VWB100

LED Module, system flux 4500 lm - 840 neutral white - Power supply unit - Very wide beam angle 100° - 207 mm

The Ledinaire range contains a selection of popular off-the-shelf LED luminaires that comes with the Philips high quality levels at a competitive price. Reliable, energy-efficient and affordable – just what you need.

### Product data

| General Information           |   |
|-------------------------------|---|
| Number of light sources       | -   |
| Lamp family code              | LED45S [ LED Module, system flux 4500 lm] |
| Light source color            | 840 neutral white                         |
| Light source replaceable      | No  |
| Number of gear units          | 1 unit                                    |
| Driver/power unit/transformer | Power supply unit                         |
| Driver included               | Yes                                       |
| Optical cover/lens type       | Glass flat frosted                        |
| Luminaire light beam spread   | 100°                                      |
| Control interface             | -   |
| Connection                    | Flying leads/wires                        |
| Cable                         | Cable 0.5 m with cable connector 3-pole   |
| Protection class IEC          | Safety class I                            |
| Flammability mark             | -   |
| CE mark                       | CE mark                                   |
| ENEC mark                     | -   |
| Warranty period               | 3 years                                   |
| Optic type outdoor            | Very wide beam angle 100°                 |
| Constant light output         | No  |

|  |           |
|--|-----------|
| Number of products on MCB of 16 A type B | 30        |
| RoHS mark                                | RoHS mark |
| Light source engine type                 | LED       |

| Light Technical                |   |
|--------------------------------|---|
| Upward light output ratio      | 0 |
| Standard tilt angle posttop    | - |
| Standard tilt angle side entry | - |

| Operating and Electrical |              |
|--------------------------|--------------|
| Input Voltage            | 220 to 240 V |
| Input Frequency          | 50 to 60 Hz  |
| Inrush current           | 0.64 A       |
| Inrush time              | 1 ms         |
| Power Factor (Min)       | 0.9          |

| Controls and Dimming |    |
|----------------------|----|
| Dimmable             | No |

## Ledinaire floodlight mini

### Mechanical and Housing

|                             |                             |
|-----------------------------|-----------------------------|
| Housing Material            | Polycarbonate               |
| Reflector material          | -                           |
| Optic material              | Glass                       |
| Optical cover/lens material | Glass                       |
| Fixation material           | Stainless steel             |
| Mounting device             | Mounting bracket adjustable |
| Optical cover/lens shape    | Flat                        |
| Optical cover/lens finish   | Frosted                     |
| Overall length              | 207 mm                      |
| Overall width               | 55 mm                       |
| Overall height              | 185 mm                      |
| Effective projected area    | 0.039 m <sup>2</sup>        |
| Width                       | 207 mm                      |

### Approval and Application

|  |   |
|--|---|
| Ingress protection code                | IP65 [ Dust penetration-protected, jet-proof] |
| Mech. impact protection code           | IK07 [ 2 J reinforced]                        |
| Surge Protection (Common/Differential) | 2/2 kV  |

### Initial Performance (IEC Compliant)

|                                     |         |
|-------------------------------------|---------|
| Initial luminous flux (system flux) | 4500 lm |
| Luminous flux tolerance             | +/-10%  |
| Initial LED luminaire efficacy      | 90 lm/W |
| Init. Corr. Color Temperature       | 4000 K  |
| Init. Color Rendering Index         | >80     |
| Initial chromaticity                | -       |

|                             |        |
|-----------------------------|--------|
| Initial input power         | 50 W   |
| Power consumption tolerance | +/-10% |

### Over Time Performance (IEC Compliant)

|  |         |
|--|---------|
| Driver failure rate at 5000 h                          | 1.5 %   |
| Median useful life L70B50                              | 35000 h |
| Useful life L80B10                                     | 35000 h |
| Lumen maintenance at useful life of 100000 h, at 25 °C | -       |

### Application Conditions

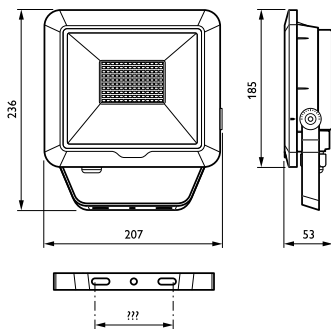
|                           |                |
|---------------------------|----------------|
| Ambient temperature range | -25 to +40 °C  |
| Maximum dim level         | Not applicable |

### Product Data

|                                 |                             |
|---------------------------------|-----------------------------|
| Full product code               | 871869938413599             |
| Order product name              | BVP105 LED45/840 PSU VWB100 |
| EAN/UPC - Product               | 8718699384135               |
| Order code                      | 912401483118                |
| Numerator - Quantity Per Pack   | 1                           |
| Numerator - Packs per outer box | 12                          |
| Material Nr. (12NC)             | 912401483118                |
| Net Weight (Piece)              | 1.230 kg                    |



### Dimensional drawing



Ledinaire floodlight BVP105/106

## Ledinaire floodlight mini

