



# Ledinaire floodlight maxi

## BVP106 LED100/740 PSU VWB100

LED module, system flux 10000 lm - 740 neutral white - Power supply unit - Beam category A1 - 323 mm

The Ledinaire range contains a selection of popular off-the-shelf LED luminaires that comes with the Philips high quality levels at a competitive price. Reliable, energy-efficient and affordable – just what you need.

### Product data

General Information	
Number of light sources	-
Lamp family code	LED100S [ LED module, system flux 10000 lm]
Light source color	740 neutral white
Light source replaceable	No
Number of gear units	1 unit
Driver/power unit/transformer	Power supply unit
Driver included	Yes
Optical cover/lens type	Tempered glass
Luminaire light beam spread	100° x 100°
Connection	Flying leads/wires
Cable	Cable 0.5 m with cable connector 3-pole
Protection class IEC	Safety class I
Flammability mark	For mounting on easily flammable surfaces
CE mark	CE mark
ENEC mark	-
Warranty period	3 years
Optic type outdoor	Beam category A1
Constant light output	No

Number of products on MCB of 16 A type B	15
RoHS mark	RoHS mark
Light source engine type	LED

Light Technical	
Upward light output ratio	0
Standard tilt angle posttop	-
Standard tilt angle side entry	-

Operating and Electrical	
Input Voltage	220 to 240 V
Input Frequency	50 to 60 Hz
Inrush current	38 A
Inrush time	0.25 ms
Power Factor (Min)	0.9

Controls and Dimming	
Dimmable	No

# Ledinaire floodlight maxi

## Mechanical and Housing

Housing Material	Aluminum die-cast
Reflector material	Aluminum
Optic material	Glass
Optical cover/lens material	Tempered glass
Fixation material	Steel
Mounting device	Mounting bracket adjustable
Optical cover/lens shape	Flat
Optical cover/lens finish	Clear
Overall length	342 mm
Overall width	265 mm
Overall height	85 mm
Effective projected area	0.085 m <sup>2</sup>
Width	323 mm

## Approval and Application

Ingress protection code	IP65 [ Dust penetration-protected, jet-proof]
Mech. impact protection code	IK08 [ 5 J vandal-protected]
Surge Protection (Common/Differential)	Luminaire surge protection level until 4 kV differential mode and 4 kV common mode

## Initial Performance (IEC Compliant)

Initial luminous flux (system flux)	10000 lm
Luminous flux tolerance	+/-10%
Initial LED luminaire efficacy	100 lm/W
Init. Corr. Color Temperature	4000 K
Init. Color Rendering Index	78

Initial chromaticity	(0.375, 0.379) SDCM<5
Initial input power	100 W
Power consumption tolerance	+/-10%

## Over Time Performance (IEC Compliant)

Driver failure rate at 5000 h	1.5 %
Useful life L80B10	30000 h
Lumen maintenance at useful life of 100000 h, at 25 °C	0

## Application Conditions

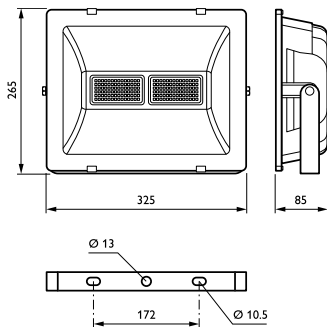
Ambient temperature range	-25 to +40 °C
Maximum dim level	Not applicable

## Product Data

Full product code	871869938406799
Order product name	BVP106 LED100/740 PSU VWB100
EAN/UPC - Product	8718699384067
Order code	912401483114
Numerator - Quantity Per Pack	1
Numerator - Packs per outer box	5
Material Nr. (12NC)	912401483114
Net Weight (Piece)	3.550 kg



## Dimensional drawing



Ledinaire floodlight BVP105/106

## Ledinaire floodlight maxi

