



Ledinaire floodlight mini

BVP105 LED45/840 PSU VWB100

LED Module, system flux 4500 lm - 840 neutral white - Power supply unit - Very wide beam angle 100° - 207 mm

The Ledinaire range contains a selection of popular off-the-shelf LED luminaires that comes with the Philips high quality levels at a competitive price. Reliable, energy-efficient and affordable – just what you need.

Product data

General Information	
Number of light sources	-
Lamp family code	LED45S [LED Module, system flux 4500 lm]
Light source color	840 neutral white
Light source replaceable	No
Number of gear units	1 unit
Driver/power unit/transformer	Power supply unit
Driver included	Yes
Optical cover/lens type	Glass flat frosted
Luminaire light beam spread	100°
Control interface	-
Connection	Flying leads/wires
Cable	Cable 0.5 m with cable connector 3-pole
Protection class IEC	Safety class I
Flammability mark	-
CE mark	CE mark
ENEC mark	-
Warranty period	3 years

Optic type outdoor	Very wide beam angle 100°
Remarks	*-Per Lighting Europe guidance paper "Evaluating performance of LED based luminaires - January 2018": statistically there is no relevant difference in lumen maintenance between B50 and for example B10. Therefore the median useful life (B50) value also represents the B10 value.
Constant light output	No
Number of products on MCB of 16 A type B	30
RoHS mark	RoHS mark
Light source engine type	LED

Light Technical

Upward light output ratio	0
Standard tilt angle posttop	-
Standard tilt angle side entry	-

Ledinaire floodlight mini

Operating and Electrical

Input Voltage	220 to 240 V
Input Frequency	50 to 60 Hz
Inrush current	0.64 A
Inrush time	1 ms
Power Factor (Min)	0.9

Controls and Dimming

Dimmable	No
----------	----

Mechanical and Housing

Housing Material	Polycarbonate
Reflector material	-
Optic material	Glass
Optical cover/lens material	Glass
Fixation material	Stainless steel
Mounting device	Mounting bracket adjustable
Optical cover/lens shape	Flat
Optical cover/lens finish	Frosted
Overall length	207 mm
Overall width	55 mm
Overall height	185 mm
Effective projected area	0.039 m ²
Width	207 mm

Approval and Application

Ingress protection code	IP65 [Dust penetration-protected, jet-proof]
Mech. impact protection code	IK07 [2 J reinforced]
Surge Protection (Common/Differential)	2/2 kV

Initial Performance (IEC Compliant)

Initial luminous flux (system flux)	4500 lm
-------------------------------------	---------

Luminous flux tolerance	+/-10%
Initial LED luminaire efficacy	90 lm/W
Init. Corr. Color Temperature	4000 K
Init. Color Rendering Index	>80
Initial chromaticity	-
Initial input power	50 W
Power consumption tolerance	+/-10%

Over Time Performance (IEC Compliant)

Control gear failure rate at median useful life 35000 h	7.5 %
Lumen maintenance at median useful life* 50000 h	L70

Application Conditions

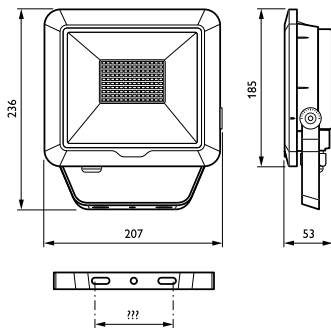
Ambient temperature range	-25 to +40 °C
Performance ambient temperature Tq	25 °C
Maximum dim level	Not applicable

Product Data

Full product code	871869938413599
Order product name	BVP105 LED45/840 PSU VWB100
EAN/UPC - Product	8718699384135
Order code	912401483118
Numerator - Quantity Per Pack	1
Numerator - Packs per outer box	12
Material Nr. (12NC)	912401483118
Net Weight (Piece)	1.230 kg



Dimensional drawing



Ledinaire floodlight BVP105/106

Ledinaire floodlight mini

