

# EFix TPS262

TPS262 2x54W/840 HFS D6 SMT SI

TPS262 - 2 pcs - 54 W - HF Standard - Semi-high-gloss optic double parabolic - Suspension set twin, triangle

The EFix TL5 luminaire range is a dedicated, affordable choice of innovative lighting that enables massive energy savings to be made when old electromagnetic installations are replaced by the latest Philips technology. The range's optical performance complies with the latest EN-12464 norms, ensuring improved lighting quality in every application. Used in combination with high-frequency gear, Philips MASTER TL5 lamps enable substantial energy savings to be made. These savings can be further increased by using a Luxsense daylight controller integrated into the luminaire. The practical design of EFix combines both surface-mounted (TCS260) and suspended (TPS262) luminaires in one design. Thanks to the luminaire's easily removable top cover, the beam can be adjusted to provide direct or direct/indirect lighting. EFix is supplied with lamps and is ready to install, minimizing installation time. EFix recessed TBS260 completes Philips' range of luminaires for general lighting applications in offices and shops.

## Product data

### • General information

Product family code	TPS262 [TPS262]
Number of light sources	2 [2 pcs]
Lamp family code	TL5 [TL5]
Lamp power	54 W [54 W]
Lamp colour code	840 [840 neutral white]
Kombipack	K [Lamp(s) included]
Gear	HFS [HF Standard]
Optic type	D6 [Semi-high-gloss optic double parabolic]
Optical cover/lens type	No [-]
Emergency lighting	No [-]
Embedded control	No [-]
Separate switching	No [-]
Internal wiring	STD [Standard]
Cable	No [-]
Protection class IEC	CLI [Safety class I]
Ingress protection code	IP20 [Finger-protected]
Mounting	SMT [Suspension set twin, triangle]
Colour	SI [Silver]
Ready-to-install	No [-]
Glow-wire test	850/5 [Temperature 850 °C, duration 5 s]

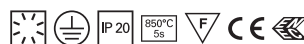
Flammability mark	F [For mounting on normally flammable surfaces]
CE mark	CE [CE mark]
ENEC mark	ENEC [ENEC mark]

### • Electrical

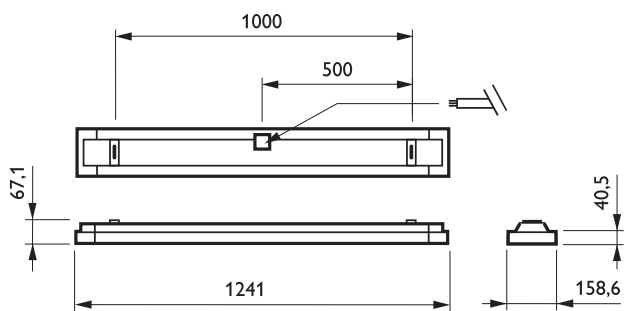
Input voltage	220-240 V [220 to 240 V]
---------------	--------------------------

### • Product Data

Order code	613506 00
Full product code	872790061350600
Full product name	TPS262 2x54W/840 HFS D6 SMT SI
Order product name	TPS262 2x54W/840 HFS D6 SMT SI
Pieces per pack	0
Packs per outerbox	1
Bar code on outerbox - EAN3	8727900613506
Logistic code(s) - 12NC	910402465812
Net weight per piece	3.500 kg



Dimensional drawing



TPS262 2x54W/840 HFS D6 SMT SI



© 2015 Koninklijke Philips N.V. (Royal Philips)  
All rights reserved.

Specifications are subject to change without notice. Trademarks are the property of Koninklijke Philips N.V. (Royal Philips) or their respective owners.

[www.philips.com/lighting](http://www.philips.com/lighting)

2015, January 8  
data subject to change