



Fugato Compact, general lighting

FBS261 2xPL-C/4P18W/840 HFP C PI WH

FBS261 - 2 pcs - MASTER PL-C 4 Pin - 18 W - HF Performer - High-gloss mirror

The Fugato range of fixed downlights for general lighting consists of Fugato Compact (cut-out 175 mm), Fugato Performance (cut-out 225 mm), Fugato Power (cut-out 275 mm) and Fugato Full Metal (both 175 and 225 mm), which have all been designed for optimum performance – both optical and thermal – with compact fluorescent lamps. Optical variation is provided by Fugato's 'dual optic' concept. The top optic is made of high-gloss aluminum. The lower polymer optic can be ordered in a high-gloss, matt-satin or white finish. The high-gloss (C) version complies with the UGRr19 norm (in accordance with EN12464-1, $L_m < 1000 \text{ cd/m}^2$ at $\gamma > 65^\circ$) when used with the innovative round louver. A wide range of accessories is available for the CFL versions of both Fugato and Fugato Full Metal.

Product data

• General information

Product family code	FBS261 [FBS261]
Number of light sources	2 [2 pcs]
Lamp family code	PL-C/4P [MASTER PL-C 4 Pin]
Lamp power	18 W [18 W]
Lamp colour code	840 [840 neutral white]
Cap-base	G24q-2 [G24q-2]
Kombipack	K [Lamp(s) included]
Compensation circuit	No [-]
Gear	HFP [HF Performer]
Driver/power unit/transformer	No [-]
Optic type	C [High-gloss mirror]
Optical cover/lens type	No [-]
Emergency lighting	No [-]
Internal wiring	STD [Standard]
Electrical circuit protection	No [-]
Connection	PI [Push-in connector 3-pole]
Cable	No [-]
Protection class IEC	CLI [Safety class I]
Ingress protection code	IP20 [Finger-protected]
Colour	WH [White]
Protection foil	No [-]
Flammability mark	F [For mounting on normally flammable surfaces]
Accessories included	No [-]
CE mark	CE [CE mark]
ENEC mark	ENEC [ENEC mark]

• Light technical

Optic accessory type	No [-]
Filters and lenses	No [-]
Glare shielding accessories	No [-]

• Electrical

Input voltage	220-240 V [220 to 240 V]
Input frequency	50-60 Hz [50 to 60 Hz]

• Mechanical

Ceiling mounting accessories	No [-]
Decorative accessories	No [-]

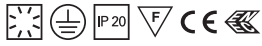
• Product Data

Order code	710891 00
Full product code	871155971089100
Full product name	FBS261 2xPL-C/4P18W/840 HFP C PI WH
Order product name	FBS261 2xPL-C/4P18W/840 HFP C PI WH
Pieces per pack	0
Packs per outerbox	1
Bar code on outerbox - EAN3	8711559710891
Logistic code(s) - 12NC	910502476615

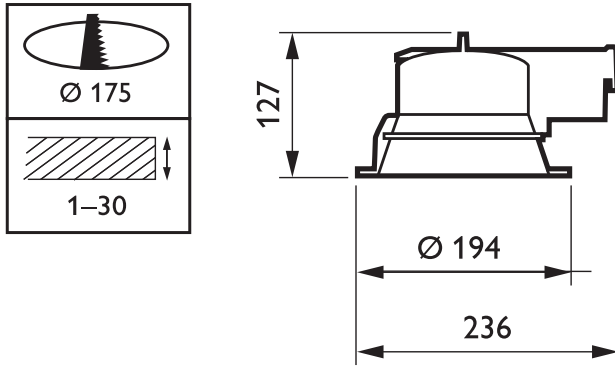
PHILIPS

Fugato Compact, general lighting

Net weight per piece 1.006 kg

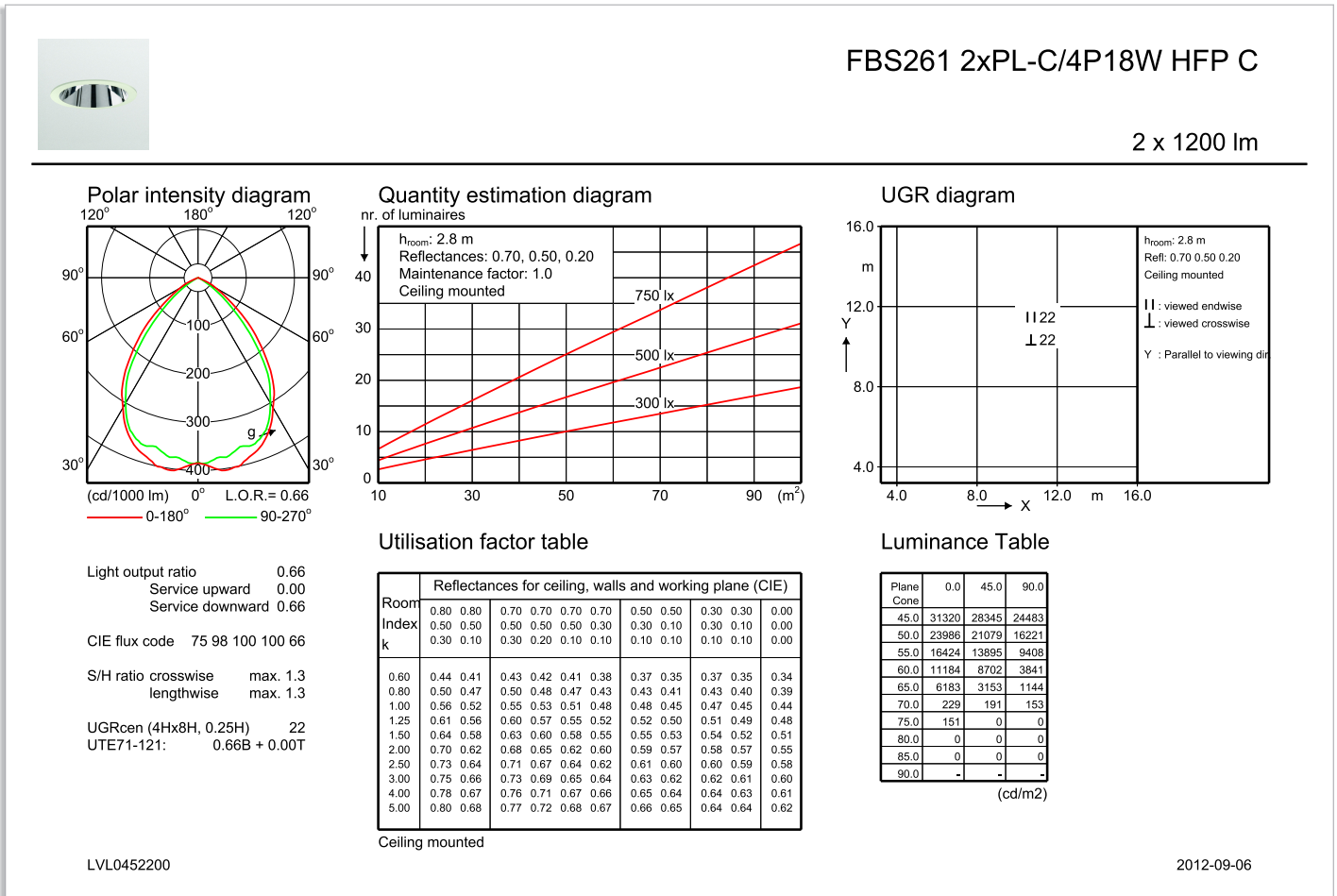


Dimensional drawing



FBS261 2xPL-C/4P18W/840 HFP C PI WH

Photometric data



LVL0452200

2012-09-06

FBS261 2xPL-C/4P18W HFP C



© 2015 Koninklijke Philips N.V. (Royal Philips)
All rights reserved.

Specifications are subject to change without notice. Trademarks are the property of Koninklijke Philips N.V. (Royal Philips) or their respective owners.

www.philips.com/lighting

2015, January 8
data subject to change