



CoreLine Recessed Spot

RS141B LED12-32-/830 PSR PI6 WH

CORELINE ADJ. - LED Module, system flux 1200 lm - 32 ° - 830 warm white - Power supply unit regulating - Push-in connector 6-pole - White

CoreLine Recessed Spot is a recessed spot range designed to replace halogen-based luminaires. Its halogen-like look and attractive price make it easier for customers to make the switch to LED. This product provides a natural lighting effect for accent lighting applications, as well as instant energy savings and much longer lifetime – an environmentally friendly solution. With the push-in connectors, installation is fast and straightforward.

Product data

General Information		Cable	
Number of light sources	1 pc	Cable	-
Lamp family code	LED12S [LED Module, system flux 1200 lm]	Protection class IEC	Safety class II
Beam angle of light source	32 °	Glow-wire test	Temperature 650 °C, duration 5 s
Light source color	830 warm white	Flammability mark	For mounting on normally flammable surfaces
Cap-Base	- [-]	CE mark	CE mark
Light source replaceable	No	ENEC mark	-
Number of gear units	1 unit	UL mark	-
Driver/power unit/transformer	Power supply unit regulating	Warranty period	3 years
Driver included	Yes	Constant light output	No
Optic type	Beam angle 32°	Number of products on MCB of 16 A type B	-
Optical cover/lens type	Polycarbonate bowl/cover clear	RoHS mark	RoHS mark
Luminaire light beam spread	32°	Product family code	RS141B [CORELINE ADJ.]
Control interface	Analog	Operating and Electrical	
Connection	Push-in connector 6-pole	Input Voltage	220 to 240 V

CoreLine Recessed Spot

Input Frequency	50 to 60 Hz
Inrush current	7 A
Inrush time	500 ms
Power Factor (Min)	0.9

Controls and Dimming

Dimmable	Yes
----------	-----

Mechanical and Housing

Housing Material	Aluminum die-cast
Reflector material	Polycarbonate
Optic material	Polycarbonate
Optical cover/lens material	Polycarbonate
Fixation material	Stainless steel
Optical cover/lens finish	Clear
Overall height	58 mm
Overall diameter	95 mm

Approval and Application

Ingress protection code	IP44 [Wire-protected, splash-proof]
Mech. impact protection code	IK02 [0.2 J standard]

Initial Performance (IEC Compliant)

Initial luminous flux	1200 lm
Luminous flux tolerance	+/-10%
Initial LED luminaire efficacy	75 lm/W
Init. Corr. Color Temperature	3000 K
Init. Color Rendering Index	85
Initial chromaticity	(0.42, 0.40) SDCM <5

Initial input power	16 W
Power consumption tolerance	+/-10%

Over Time Performance (IEC Compliant)

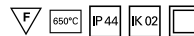
Driver failure rate at 5000 h	1.5 %
Median useful life L70B50	50000 h
Median useful life L80B50	30000 h
Median useful life L90B50	15000 h

Application Conditions

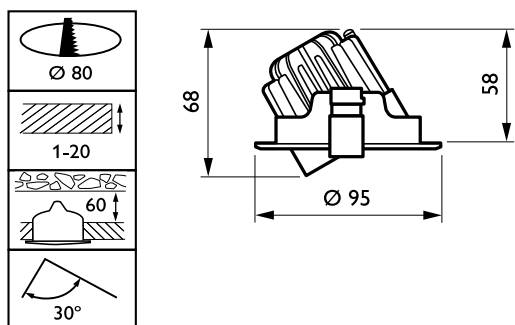
Ambient temperature range	0 to +35 °C
Average ambient temperature	25 °C
Maximum dim level	10%
Suitable for random switching	Yes (relates to presence/ movement detection and daylight harvesting)

Product Data

Full product code	871869607127499
Order product name	RS141B LED12-32-/830 PSR PI6 WH
EAN/UPC - Product	8718696071274
Order code	910503910148
Numerator - Quantity Per Pack	1
Numerator - Packs per outer box	18
Material Nr. (12NC)	910503910148
Net Weight (Piece)	0.500 kg



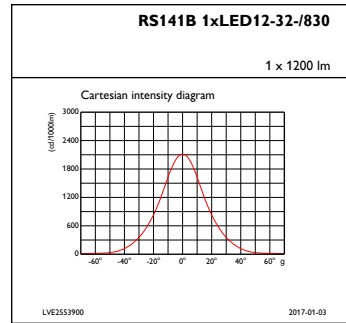
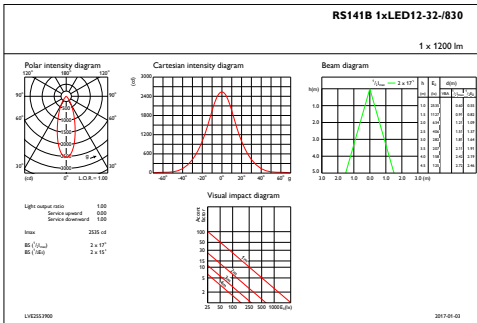
Dimensional drawing



CoreLine RS140B/RS141B

CoreLine Recessed Spot

Photometric data



IFAS1_RS141B1xLED12-32-830

IFCC1_RS141B1xLED12-32-830

