



CoreLine Downlight – the clear choice for LED

CoreLine Downlight

Whether for a new building or renovation of an existing space, customers want lighting solutions that provide quality of light and substantial energy and maintenance savings. Part of Philips' high-quality CoreLine LED family, the new CoreLine Downlight range of LED products can be used to replace conventional CFL downlights in general lighting applications.

Benefits

- Ideal for making the switch from CFL to LED
- 50% energy saving: total cost of ownership recovered within two years
- Three times longer life

Features

- Energy-efficient, durable LED technology
- Available in Mini 1100 lm and Compact 2000 lm versions
- Choice of color temperature (3000 and 4000 K)

Application

- General lighting in corridors and indoor circulation areas

PHILIPS

Specifications

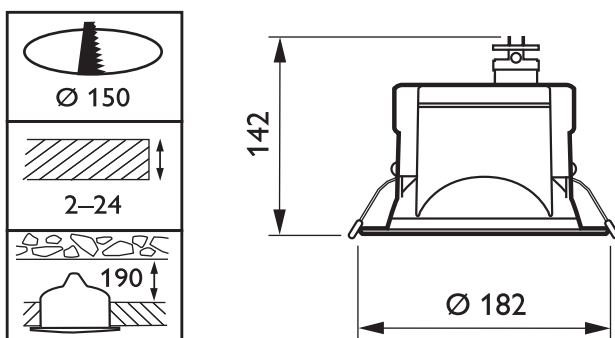
• Type	DN120B	• Operating temperature range	-15 to +35 °C
• Ceiling type	Plaster (board) ceiling	• Driver	Built-in
• Light source	Non replaceable LED module	• Mains voltage	230 or 240 V / 50-60 Hz
• Power	13 W (mini version) 26 W (compact version)	• Dimming	No
• Luminous flux	1100 lm (mini version) 2000 lm (compact version)	• Material	Housing: die-cast aluminum Reflector: aluminum, painted white
• Correlated Color Temperature	Warm white, 3000 K Neutral white, 4000 K	• Color	White (RAL 9010)
• Color Rendering Index	> 80	• Optic	Aluminum, painted white
• Maintenance of lumen output - L70F50	30,000 hours at T _a = 25 °C	• Connection	Screw connector with pull relief
		• Installation	Fixation by spring fasteners Through-wiring not possible

Related products



CoreLine Downlight DN120B luminaire

Dimensional drawing



DN120B DLMi1100/830 WH

General information (1/2)

Order code	Product family code	Number of light sources	Lamp family code	Init. Corr. Color Temperature	Light source replaceable	Driver included	Optical cover/lens type	Dimmable	Protection class IEC	IP code	IK code
910500453197	DN120B	1	DLMi1100	3000	false	true	No	No	CLI	IP20	IK02
910500453198	DN120B	1	DLMi1100	4000	false	true	No	No	CLI	IP20	IK02
910500453199	DN120B	1	DLMi2000	3000	false	true	No	No	CLI	IP20	IK02
910500453201	DN120B	1	DLMi2000	4000	false	true	No	No	CLI	IP20	IK02

General information (2/2)

Order code	Product family code	Ambient temperature range	Color	Glow-wire test	Flammability mark	European Community mark	ENEC mark	Lifetime L70F50
910500453197	DN120B	-15 to +35°C	WH	650/5	No	CE	ENEC	30000 hr
910500453198	DN120B	-15 to +35°C	WH	650/5	No	CE	ENEC	30000 hr
910500453199	DN120B	-15 to +35°C	WH	650/5	No	CE	ENEC	30000 hr
910500453201	DN120B	-15 to +35°C	WH	650/5	No	CE	ENEC	30000 hr

Light technical

Order code	Product family code	Init. Color Rendering Index	Initial luminous flux	Initial LED luminaire efficacy
910500453197	DN120B	>80	1100 Lm	73 Lm/W
910500453198	DN120B	>80	1100 Lm	79 Lm/W
910500453199	DN120B	>80	2000 Lm	71 Lm/W
910500453201	DN120B	>80	2000 Lm	74 Lm/W

Electrical

Order code	Product family code	Initial input power	Input voltage
910500453197	DN120B	15 W	230-240 V
910500453198	DN120B	14 W	230-240 V
910500453199	DN120B	28 W	230-240 V
910500453201	DN120B	27 W	230-240 V



© 2013 Koninklijke Philips N.V. (Royal Philips)
All rights reserved.

Specifications are subject to change without notice. Trademarks are the property of Koninklijke Philips N.V. (Royal Philips) or their respective owners.

www.philips.com/lighting

2013, November 6
data subject to change