



# CoreLine Recessed Spot

## RS141B LED6-32-/830 PSR PI6 ALU

CORELINE ADJ. - LED Module 600 lm - 32 ° - 830 warm white -  
Power supply unit regulating - Push-in connector 6-pole - Aluminum

CoreLine Recessed Spot is a recessed spot range designed to replace halogen-based luminaires. Its halogen-like look and attractive price make it easier for customers to make the switch to LED. This product provides a natural lighting effect for accent lighting applications, as well as instant energy savings and much longer lifetime – an environmentally friendly solution. With the push-in connectors, installation is fast and straightforward.

### Product data

General Information		Protection class IEC	
Number of light sources	1 pc	Protection class IEC	Safety class II
Lamp family code	LED6 [ LED Module 600 lm]	Glow-wire test	Temperature 850 °C, duration 5 s
Beam angle of light source	32 °	Flammability mark	For mounting on normally flammable surfaces
Light source color	830 warm white	CE mark	CE mark
Cap-Base	- [-]	ENEC mark	-
Light source replaceable	No	Warranty period	3 years
Number of gear units	1 unit	Constant light output	No
Driver/power unit/transformer	Power supply unit regulating	Number of products on MCB of 16 A type B -	
Driver included	Yes	RoHS mark	RoHS mark
Optic type	Beam angle 32°	Product family code	RS141B [ CORELINE ADJ.]
Optical cover/lens type	Polycarbonate bowl/cover clear	<b>Operating and Electrical</b>	
Luminaire light beam spread	32°	Input Voltage	220 to 240 V
Control interface	Analog	Input Frequency	50 to 60 Hz
Connection	Push-in connector 6-pole	Inrush current	7 A
Cable	-	Inrush time	500 ms

## CoreLine Recessed Spot

Power Factor (Min)	0.9
--------------------	-----

### Controls and Dimming

Dimmable	Yes
----------	-----

### Mechanical and Housing

Housing Material	Aluminum
Reflector material	Polycarbonate
Optic material	Polycarbonate
Optical cover/lens material	Polycarbonate
Fixation material	Stainless steel
Optical cover/lens finish	Clear
Overall height	58 mm
Overall diameter	95 mm

### Approval and Application

Ingress protection code	IP44 [ Wire-protected, splash-proof]
Mech. impact protection code	IK02 [ 0.2 J standard]

### Initial Performance (IEC Compliant)

Initial luminous flux	650 lm
Luminous flux tolerance	+/-10%
Initial LED luminaire efficacy	65 lm/W
Init. Corr. Color Temperature	3000 K
Init. Color Rendering Index	85
Initial chromaticity	(0.42, 0.40) SDCM <5
Initial input power	10 W

Power consumption tolerance	+/-10%
-----------------------------	--------

### Over Time Performance (IEC Compliant)

Driver failure rate at 5000 h	1.5 %
Median useful life L70B50	50000 h
Median useful life L80B50	30000 h
Median useful life L90B50	15000 h

### Application Conditions

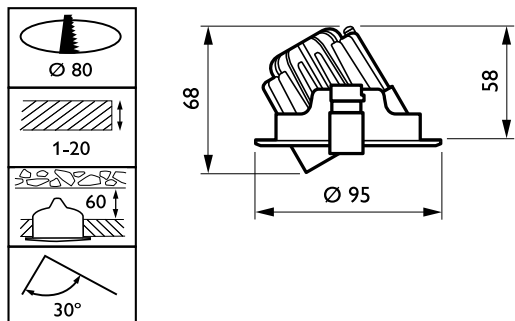
Ambient temperature range	0 to +35 °C
Average ambient temperature	25 °C
Maximum dim level	10%
Suitable for random switching	Yes (relates to presence/ movement detection and daylight harvesting)

### Product Data

Full product code	871869606907399
Order product name	RS141B LED6-32-/830 PSR PI6 ALU
EAN/UPC - Product	8718696069073
Order code	910503910062
Numerator - Quantity Per Pack	1
Numerator - Packs per outer box	18
Material Nr. (12NC)	910503910062
Net Weight (Piece)	0.500 kg



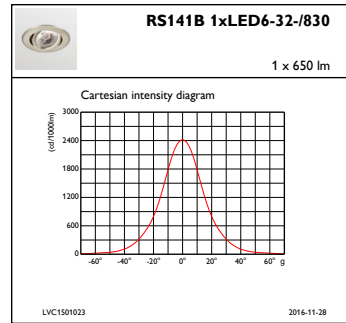
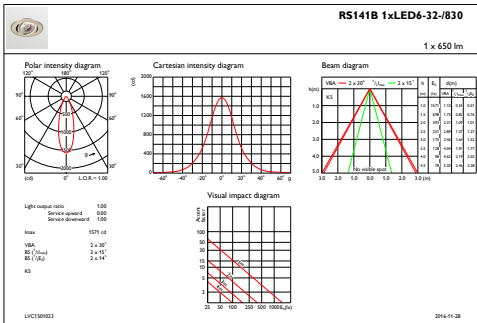
## Dimensional drawing



CoreLine RS140B/RS141B

# CoreLine Recessed Spot

## Photometric data



IFAS1\_RS141B1xLED6-32-830

IFCC1\_RS141B1xLED6-32-830

