

## LED Floodlight

Very lightweight, compact and streamline design. Universal mounting bracket allows wall or surface mounting with the possibility of tilting upwards or downwards. Suitable to use with the "LEONIE PLUG&PLAY MWS" presence sensor (available as accessory). Pre-wired with mains cable.

Body: Aluminium die-cast (<5% copper)

Bracket: Steel, gray (RAL 9006)

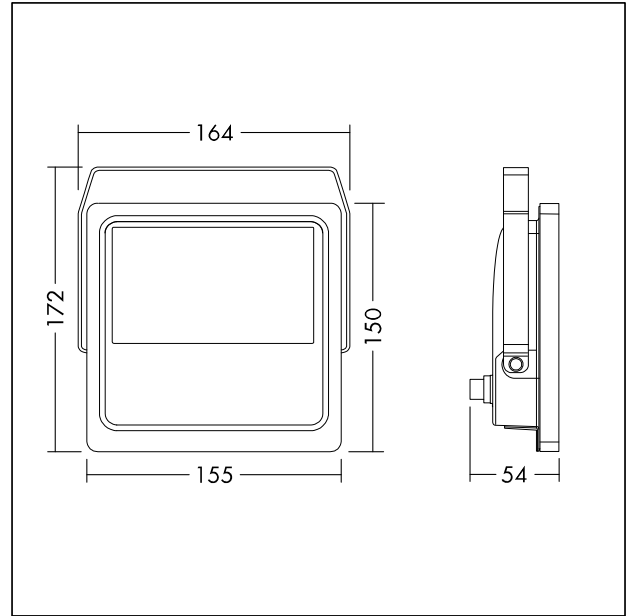
Cover: Tempered glass

Lens: PC

Weight: 0,77 kg



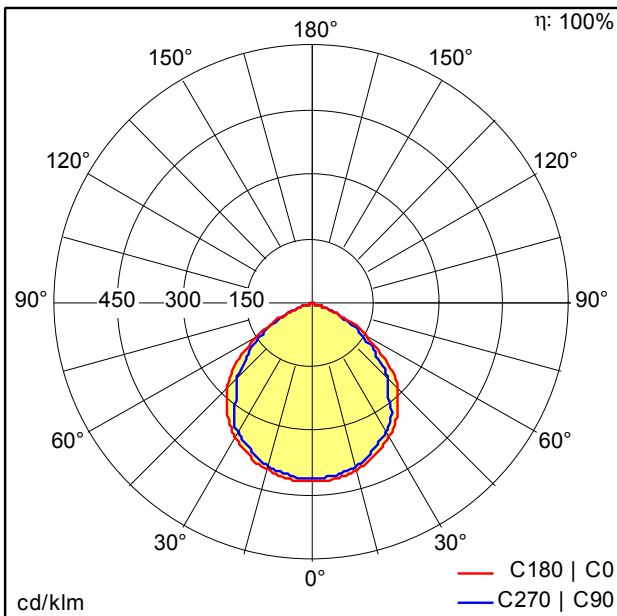
TE\_LEONIE\_F\_50.jpg



TE\_LEONIE\_M\_50.wmf

## Light Distribution

STD - standard



TE\_LEONIE\_LED\_FL\_IP65\_50W\_840.idt

- Light Source: LED
- Luminaire luminous flux\*: 5000 lm
- Luminaire efficacy\*: 100 lm/W
- Colour Rendering Index min.: 80
- Correlated colour temperature\*: 4000 Kelvin
- Chromaticity tolerance (initial MacAdam)\*: 5
- Rated median useful life\*: 50000h L70 at 25°C
- Ballast: 1x LED\_Con
- Luminaire input power\*: 50 W Power factor = 0.9
- Dimming: Fixed output