



CorePro LEDspot AR111



CorePro LEDspot 7-50W 830 AR111 40D

CorePro LEDspot AR111 are a perfect fit for spot lighting and deliver warm halogen-like light. They are compatible with most existing fixtures with a G53 base and are designed as a retrofit replacement for halogen spots. CorePro LEDspot AR111 deliver significant energy savings and minimize maintenance cost.

Product data

General Information	
Cap-Base	G53 [G53]
EU RoHS compliant	Yes
Nominal Lifetime (Nom)	15000 h
Switching Cycle	50000X
Flux measurement reference	Narrow Cone
Light Technical	
Color Code	830 [CCT of 3000K]
Beam Angle (Nom)	40 °
Luminous Flux (Nom)	550 lm
Luminous Intensity (Nom)	1100 cd
Color Designation	White (WH)
Correlated Color Temperature (Nom)	3000 K
Luminous Efficacy (rated) (Nom)	78.00 lm/W
Color Consistency	<6
Color Rendering Index (Nom)	80
LLMF At End Of Nominal Lifetime (Nom)	70 %
Luminous Flux in 90° Cone (Rated)	550 lm

Operating and Electrical	
Input Frequency	- Hz
Power (Nom)	7 W
Lamp Current (Nom)	670 mA
Wattage Equivalent	50 W
Starting Time (Nom)	0.5 s
Warm Up Time to 60% Light (Nom)	1 s
Power Factor (Nom)	0.7
Voltage (Nom)	ac electronic 12 V
Temperature	
T-Case Maximum (Nom)	60 °C
Controls and Dimming	
Dimmable	No
Mechanical and Housing	
Bulb Finish	Clear
Bulb Shape	AR111

CorePro LEDspot AR111

Approval and Application

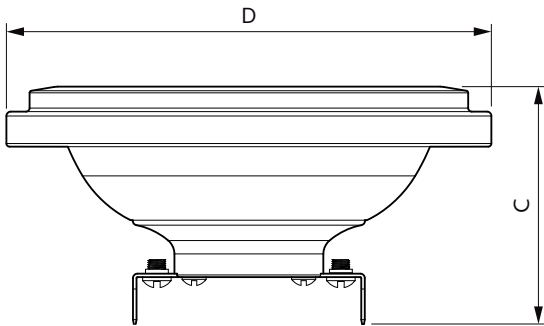
Energy Efficiency Class	F
Suitable For Accent Lighting	Yes
Energy Consumption kWh/1000 h	7 kWh
EPREL Registration Number	491865

Product Data

Full product code	871951430538000
Order product name	CorePro LEDspot 7-50W 830 AR111 40D

EAN/UPC - Product	8719514305380
Order code	929002965002
Numerator - Quantity Per Pack	1
Numerator - Packs per outer box	6
Material Nr. (12NC)	929002965002
Net Weight (Piece)	0.160 kg

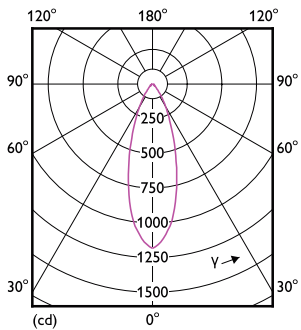
Dimensional drawing



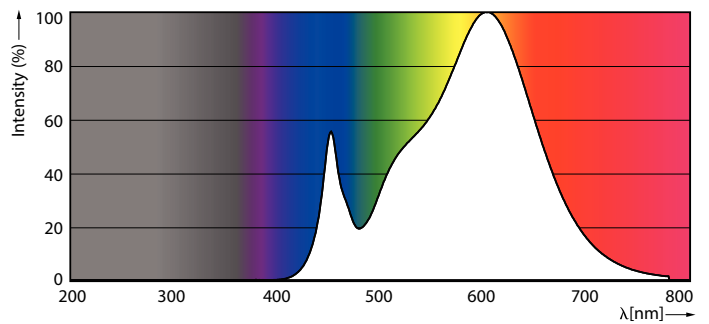
AR111 12V 10-50W 550lm 40D 3000K ND

Product	D	C
CorePro LEDspot 7-50W 830 AR111 40D	110.7 mm	55 mm

Photometric data



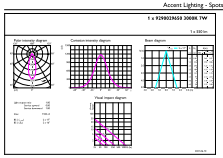
LEDspots_Corepro_7W_AR111_G53_830_40D LDD LDD



LEDspots_Corepro_7W_AR111_G53_830_40D POC POC

CorePro LEDspot AR111

Photometric data

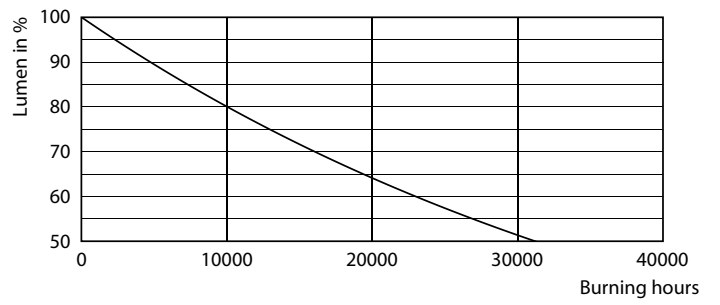


LEDspots_Corepro_7W_AR111_G53_830_40D ADL ADL

Lifetime



15K LED



15K LMP

