



MASTER CosmoWhite CPO-TW & CPO-TW Xtra

MASTER CosmoWhite CPO-TW Xtra 45W/628 PGZ12

New-generation ceramic metal halide lamps used in Outdoor offering efficient and pleasant white light

Product data

• General Characteristics

Cap-Base	PGZ12
Bulb	T19 [T 19mm]
Bulb Finish	Clear
Burning Position	any [Any/Universal]
Life to 5% failures, horiz.	21500 hr
Life to 10% failures, base up	13000 hr
Life to 10% failures, horiz.	24000 hr
Life to 20% failures, horiz.	27000 hr
Life to 50% failures, base up	18000 hr
Life to 50% failures, horiz.	32000 hr
LSF EL 2kh Rated,12h cyc. hor	99 %
LSF EL 4kh Rated,12h cyc. hor	99 %
LSF EL 6kh Rated,12h cyc. hor	99 %
LSF EL 8kh Rated,12h cyc. hor	99 %
LSF EL 12kh Rated, 12h cyc. hor	99 %
LSF EL 16kh Rated, 12h cyc. hor	99 %
LSF EL 20kh Rated, 12h cyc. hor	97 %
LSF EL 24kh Rated, 12h cyc. hor	90 %
LSF EL 30kh Rated, 12h cyc. hor	63 %
LSF EL 2kh Rated,12h cyc. bup	99 %

LSF EL 4kh Rated,12h cyc. bup	99 %
LSF EL 6kh Rated,12h cyc. bup	99 %
LSF EL 8kh Rated,12h cyc. bup	99 %
LSF EL 12kh Rated, 12h cyc. bup	93 %
LSF EL 16kh Rated, 12h cyc. bup	70 %

• Light Technical Characteristics

Colour Code	628 [CCT of 2800K]
CRI @ ±60% power	59 -
Colour Designation	White
Colour Temp. @ ±60% power	2815 K
Lum. Flux EL25°C, Rat. base up	4455 Lm
Lum. Flux EL25°C, Rat. horiz.	4950 Lm
Luminous Flux @ ±60% power	2520 Lm
Lum Effic Rat EL 25°C base up	99 Lm/W
Lum Effic Rat EL 25°C horiz.	110 Lm/W
Luminous Efficacy @ ±60% power	84 Lm/W
Colour Rendering Index,base up	57 (min), 60 (nom) Ra8
Colour Rendering Index,horiz	63 (min), 66 (nom) Ra8
Colour Temperature, base up	2800 K



asimpleswitch.com

PHILIPS

sense and simplicity

Colour Temperature, horizontal	2800 K
Colour Temp. Technical, base up	2630 K
Colour Temp. Technical, horiz.	2725 K
LLMF EL 2000h Rated, base up	90 %
LLMF EL 4000h Rated, base up	87 %
LLMF EL 6000h Rated, base up	87 %
LLMF EL 8000h Rated, base up	86 %
LLMF EL 16000h Rated, base up	77 %
LLMF EL 12000h Rated, base up	84 %
LLMF EL 2000h Rated, horiz.	92 %
LLMF EL 4000h Rated, horiz.	90 %
LLMF EL 6000h Rated, horiz.	90 %
LLMF EL 8000h Rated, horiz.	90 %
LLMF EL 12000h Rated, horiz.	89 %
LLMF EL 16000h Rated, horiz.	87 %
LLMF EL 20000h Rated, horiz.	86 %
LLMF EL 24000h Rated, horiz.	84 %
LLMF EL 30000h Rated, horiz.	82 %
Chromaticity Coordinate X	459 -
Chromaticity Coordinate Y	412 -
Chrom. Coord. X @ ±60% power	459 -
Chrom. Coord. Y @ ±60% power	424 -

• Electrical Characteristics

Lamp Wattage	45 W
Lamp Wattage EL 25°C, Rated	45 W
Lamp Wattage EL 25°C, Nominal	45 W
Lamp Wattage EL at ±60% power	30 W
Lamp Voltage	91 V

Lamp Current EL	0.484 A
Lamp Current EL at ±60% power	0.309 mA
Ignition Time	30 (max) s
Run-up time 90%	4 (max) min
Dimmable	yes
Re-ignition Time [sec]	900 (max) s
Ratio scotopic/photopic lumens	1.15 -

• Environmental Characteristics

Mercury (Hg) Content	2 mg
----------------------	------

• UV-related Characteristics

Damage Factor D/fc PET (NIOSH)	0.21 - 8 (min) h500lx
--------------------------------	-----------------------

• Luminaire Design Requirements

Cap-Base Temperature	250 (max) C
Bulb Temperature	380 (max) C

• Product Dimensions

Overall Length C	132 (max) mm
Diameter D	19 (nom), 20 (max) mm
Light Center Length L	59 mm
Arc Length O	14 mm

• Product Data

Order code	150015 00
Full product code	871829115001500
Full product name	MASTER CosmoWhite CPO-TW Xtra 45W/628 PGZ12
Order product name	MST CosmoWh CPO-TW Xtra 45W/628 PGZ12
Pieces per pack	1
Packing configuration	12
Packs per outerbox	12
Bar code on pack - EAN1	8718291150015
Bar code on outerbox - EAN3	8718291150022
Logistic code(s) - 12NC	928083805127
ILCOS code	MT-45/28/2B-H-PGZ12
Net weight per piece	0.034 kg

- Use only with electronic control gear
- Control gear must include end-of-life protection (IEC61167, IEC 62035)

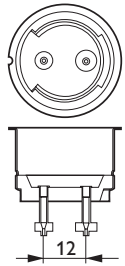
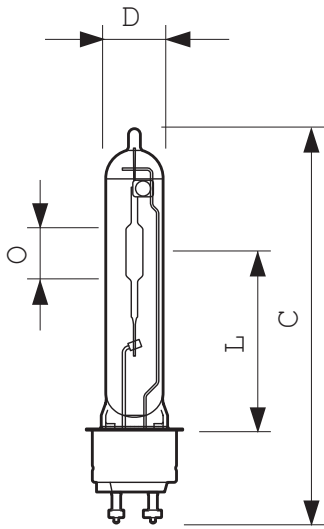
Warnings and Safety

- Use only in totally enclosed luminaire, even during testing (IEC61167, IEC 62035, IEC60598)
- The luminaire must be able to contain hot lamp parts if the lamp ruptures

Dimensional drawing

MASTER CosmoWhite CPO-TW & CPO-TW Xtra

Dimensional drawing

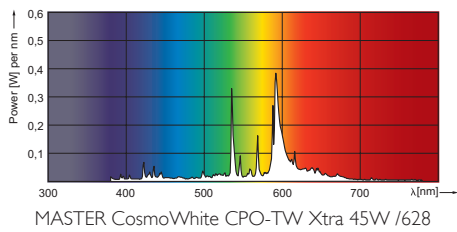


PGZ12

MASTER CosmoWhite CPO-TW Xtra 45W/628 PGZ12

Product	C (Max)	D (Norm)	D (Max)	L (Norm)	O (Norm)
CPO-TW Xtra 45W/628 PGZ12	132	19	20	59	14

Photometric data





© 2013 Koninklijke Philips Electronics N.V.
All rights reserved.

Specifications are subject to change without notice. Trademarks are the property of Koninklijke Philips Electronics N.V. or their respective owners.

www.philips.com/lighting

2013, May 9
data subject to change