



MASTER CosmoWhite CPO-TW & CPO-TW Xtra

MASTER CosmoWhite CPO-TW Xtra 90W/728 PGZ12

New-generation ceramic metal halide lamps used in Outdoor offering efficient and pleasant white light

Product data

• General Characteristics

Cap-Base	PGZ12
Bulb	T19 [T 19mm]
Bulb Finish	Clear
Operating Position	any [Any or Universal (U)]
Life to 5% failures, horiz.	17000 hr
Life to 10% failures, base up	13000 hr
Life to 10% failures, horiz.	20000 hr
Life to 20% failures, horiz.	23500 hr
Life to 50% failures, base up	16000 hr
Life to 50% failures, horiz.	30000 hr
LSF EL 2kh Rated,12h cyc. hor	99 %
LSF EL 4kh Rated,12h cyc. hor	99 %
LSF EL 6kh Rated,12h cyc. hor	99 %
LSF EL 8kh Rated,12h cyc. hor	99 %
LSF EL 12kh Rated, 12h cyc. hor	99 %
LSF EL 16kh Rated, 12h cyc. hor	96 %
LSF EL 20kh Rated, 12h cyc. hor	90 %
LSF EL 24kh Rated, 12h cyc. hor	78 %
LSF EL 30kh Rated, 12h cyc. hor	50 %
LSF EL 2kh Rated,12h cyc. bup	99 %

LSF EL 4kh Rated,12h cyc. bup	99 %
LSF EL 6kh Rated,12h cyc. bup	99 %
LSF EL 8kh Rated,12h cyc. bup	99 %
LSF EL 12kh Rated, 12h cyc. bup	95 %
LSF EL 16kh Rated, 12h cyc. bup	50 %

• Light Technical Characteristics

Color Code	728 [CCT of 2800K]
CRI @ ±60% power	60 -
Color Designation (text)	White
Colour Temp. @ ±60% power	2870 K
Lum. Flux EL25°C, Rat. base up	9810 Lm
Lum. Flux EL25°C, Rat. horiz.	10800 Lm
Luminous Flux @ ±60% power	5022 Lm
Lum Effic Rat EL 25°C base up	109 Lm/W
Lum Effic Rat EL 25°C horiz.	120 Lm/W
Luminous Efficacy @ ±60% power	93 Lm/W
Color Rendering Index, base up	62 Ra8
Color Rendering Index, horiz	67 (min), 70 (nom) Ra8
Color Temperature, base up	2800 K



asimpleswitch.com

PHILIPS

Color Temperature, horizontal	2800 K
Color Temp. Technical, base up	2750 K
Color Temp. Technical, horiz.	2870 K
LLMF EL 2000h Rated, base up	94 %
LLMF EL 4000h Rated, base up	92 %
LLMF EL 6000h Rated, base up	92 %
LLMF EL 8000h Rated, base up	92 %
LLMF EL 16000h Rated, base up	88 %
LLMF EL 12000h Rated, base up	88 %
LLMF EL 2000h Rated, horiz.	94 %
LLMF EL 4000h Rated, horiz.	91 %
LLMF EL 6000h Rated, horiz.	88 %
LLMF EL 8000h Rated, horiz.	87 %
LLMF EL 12000h Rated, horiz.	84 %
LLMF EL 16000h Rated, horiz.	84 %
LLMF EL 20000h Rated, horiz.	82 %
LLMF EL 24000h Rated, horiz.	80 %
LLMF EL 30000h Rated, horiz.	78 %
Chromaticity Coordinate X	449 -
Chromaticity Coordinate Y	412 -
Chrom. Coord. X @ ±60% power	454 -
Chrom. Coord. Y @ ±60% power	423 -

• Electrical Characteristics

Lamp Wattage	90 W
Lamp Wattage EL 25°C, Rated	90 W
Lamp Wattage EL 25°C, Nominal	90 W
Lamp Wattage EL at ±60% power	54 W
Lamp Voltage	92 V

Lamp Current EL	0.97 A
Lamp Current EL at ±60% power	577 mA
Ignition Time	30 (max) s
Run-up time 90%	4 (max) min
Dimmable	Yes
Re-ignition Time [sec]	900 (max) s
Ratio scotopic/ photopic lumens	1.15 -

• Environmental Characteristics

Mercury (Hg) Content	1.6 mg
----------------------	--------

• UV-related Characteristics

Damage Factor D/fc PET (NIOSH)	0.18 - 8 (min) h500lx
--------------------------------	-----------------------

• Luminaire Design Requirements

Cap-Base Temperature	300 (max) C
Bulb Temperature	470 (max) C

• Product Dimensions

Overall Length C	143 (max) mm
Diameter D	19 (nom), 20 (max) mm
Light Center Length L	66 mm
Arc Length O	18 mm

• Product Data

Order code	928093505127
Full product code	928093505127
Full product name	MASTER CosmoWhite CPO-TW Xtra 90W/728 PGZ12
Order product name	MST CosmoWh CPO-TW Xtra 90W/728 PGZ12
Pieces per pack	1
Packing configuration	12
Packs per outerbox	12
Bar code on pack - EAN1	8711500211217
Bar code on outerbox - EAN3	8711500211224
Logistic code(s) - 12NC	928093505127
ILCOS code	MT-90/28/2B-H-PGZ12
Net weight per piece	0.037 kg

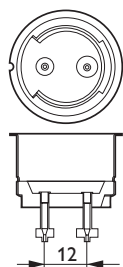
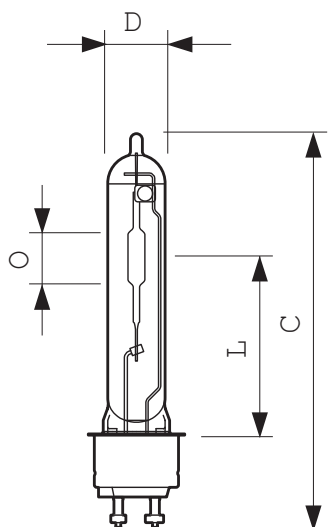
- Use only with electronic control gear
- Control gear must include end-of-life protection (IEC61167, IEC 62035)

Warnings and Safety

- Use only in totally enclosed luminaire, even during testing (IEC61167, IEC 62035, IEC60598)
- The luminaire must be able to contain hot lamp parts if the lamp ruptures

Dimensional drawing

Dimensional drawing

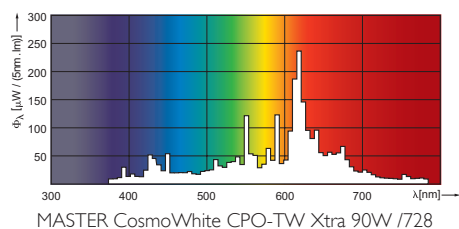


PGZ12

MASTER CosmoWhite CPO-TW Xtra 90W/728 PGZ12

Product	C (Max)	D (Norm)	D (Max)	L (Norm)	O (Norm)
CPO-TW Xtra 90W/728 PGZ12	143	19	20	66	18

Photometric data



MASTER CosmoWhite CPO-TW Xtra 90W /728



© 2013 Koninklijke Philips N.V. (Royal Philips)
All rights reserved.

Specifications are subject to change without notice. Trademarks are the property of Koninklijke Philips N.V. (Royal Philips) or their respective owners.

www.philips.com/lighting

2013, June 27
data subject to change