



MASTERColour CDM-R111

MASTERColour CDM-R111 70W/942 GX8.5 24D 1CT

The MASTERColour CDM-R111 combines the trendy look of the 111 mm aluminium reflector halogen lamps with the long life, high energy efficiency and crisp white light of MASTERColour CDM.

Product data

• General Characteristics

Cap-Base	GX8.5
Bulb	R111 [R 111mm]
Bulb Finish	Reflector
Operating Position	any [Any or Universal (U)]
Life to 5% failures EL	7500 hr
Life to 10% failures EL	8500 hr
Life to 20% failures EL	9500 hr
Life to 50% failures EL	11000 hr

• Light Technical Characteristics

Beam Description	Narrow Flood
Beam Angle	24 D
Beam Angle Technical	18 (min), 23 (nom), 28 (max) D
Luminous Intensity	14500 cd
Color Code	942 [CCT of 4200K]
Color Rendering Index	96 Ra8
Color Designation (text)	Cool White
Color Temperature	4200 K
Color Temperature Technical	3900 K
Luminous Flux Lamp EL	2850 Lm
LLMF - end nominal lifetime	60 %
Chromaticity Coordinate X	0.381 -
Chromaticity Coordinate Y	0.370 -

Luminous flux in 90° cone 2800 Lm

• Electrical Characteristics

System Power EL	83 W
Lamp Wattage	70 W
Lamp Wattage EL	70 W
Lamp Wattage EL 25°C, Rated	73.0 W
Lamp Voltage	92 V
Lamp Current EL	0.80 A
Ignition Time	30 (max) s
Run-up time 90%	3 (max) min
Re-ignition Time [min]	15 (max) min
Dimmable	No
Warm-up Time to 60% Light Outp	120 s

• Environmental Characteristics

Energy Efficiency Label (EEL)	B
Mercury (Hg) Content	6.3 mg
Energy consumption kWh/1000h	80 kWh

• UV-related Characteristics

Damage Factor D/fc PET (NIOSH)	0.3 (max) - 8 (min) h500lx
--------------------------------	----------------------------

• Measuring Conditions

Switching cycle	1000X
-----------------	-------



asimpleswitch.com

PHILIPS

• Product Dimensions

Overall Length C	95 (max) mm
Diameter D	111 (max) mm
Overall Length C [inch]	3.6 (max) in

• Product Data

Order code	928096905330
Full product code	928096905330
Full product name	MASTERC colour CDM-R111 70W/942 GX8.5 24D 1CT

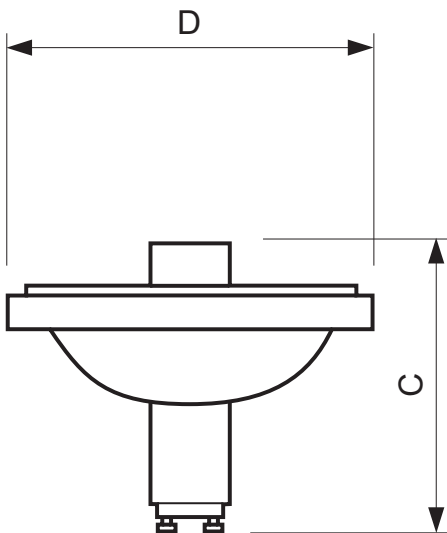
Order product name	MASTERC CDM-R111 70W/942 GX8.5 24D 1CT
Pieces per pack	1
Packing configuration	6
Packs per outerbox	6
Bar code on pack - EAN1	8711500213938
Bar code on outerbox - EAN3	8711500213945
Logistic code(s) - 12NC	928096905330
ILCOS code	MRS/UB-70/942-H-GX8.5-111/88/24
Net weight per piece	0.095 kg

Warnings and Safety

- Control gear must include end-of-life protection (IEC61167, IEC 62035)
- Use only with electronic control gear. 35W/830 lamps may also use electromagnetic gear.

- A lamp breaking is extremely unlikely to have any impact on your health. If a lamp breaks, ventilate the room for 30 minutes and remove the parts, preferably with gloves. Put them in a sealed plastic bag and take it to your local waste facilities for recycling. Do not use a vacuum cleaner.

Dimensional drawing

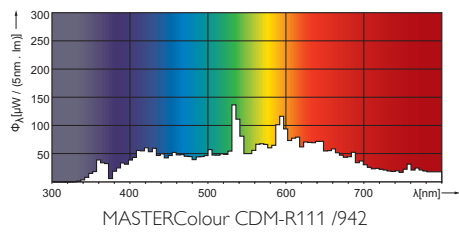


GX8.5

MASTERC colour CDM-R111 70W/942 GX8.5 24D 1CT

Product	C (Max)	D (Max)
CDM-R111 70W/942 24D	95	111

Photometric data



© 2015 Koninklijke Philips N.V. (Royal Philips)
All rights reserved.

Specifications are subject to change without notice. Trademarks are the property of Koninklijke Philips N.V. (Royal Philips) or their respective owners.

www.philips.com/lighting

2015, July 11
data subject to change