



MASTERColour CDM-R111 Elite

MASTERColour CDM-R111 Elite 35W/930 GX8.5 24D

MASTERColour CDM-R111 Elite combines the trendy look of 111 mm aluminum-reflector halogen lamps with the long life, high energy efficiency and crisp white light of MASTERColour CDM.

Product data

• General Characteristics

Cap-Base	GX8.5
Bulb	R111 [R 111mm]
Bulb Finish	Reflector
Operating Position	any [Any or Universal (U)]
Life to 5% failures EM	5000 hr
Life to 5% failures EL	8000 hr
Life to 10% failures EM	5500 hr
Life to 10% failures EL	9500 hr
Life to 20% failures EM	6000 hr
Life to 20% failures EL	10500 hr
Life to 50% failures EM	7500 hr
Life to 50% failures EL	12000 hr

Forward Luminous Efficacy	46 Lm/W
LLMF - end nominal lifetime	70 %
Forward Lum Maintenance 2000h	90 %
Forward Lum Maintenance 4000h	85 %
Forward Lum Maintenance 8000h	80 %
Forward Lum Maintenance 12000h	70 %
Design Mean Lumens	1500 Lm
Chromaticity Coordinate X	0.432 -
Chromaticity Coordinate Y	0.392 -
Luminous flux in 90° cone	1750 Lm

• Light Technical Characteristics

Beam Description	Narrow Flood
Beam Angle	24 D
Beam Angle Technical	16.5 (min), 22 (nom), 27.5 (max) D
Luminous Intensity	8500 cd
Color Code	930 [CCT of 3000K]
Color Rendering Index	87 (min), 90 (nom) Ra8
Color Designation (text)	Warm White
Color Temperature	3000 K
Color Temperature Technical	3000 K
Forward Luminous Output	1800 Lm

• Electrical Characteristics

System Power EM	47 W
System Power EL	43 W
Lamp Wattage	35 W
Lamp Wattage EM	35 W
Lamp Wattage EM 25°C, Rated	40.0 W
Lamp Wattage EL	35 W
Lamp Wattage EL 25°C, Rated	39.0 W
Lamp Voltage	89 V
Lamp Current EM	0.440 A
Lamp Current EL	0.440 A
Ignition Time	30 (max) s
Run-up time 90%	3 (max) min

PHILIPS

MASTERColour CDM-R111 Elite

Re-ignition Time [min]	15 (max) min
Dimmable	No
Warm-up Time to 60% Light Outp	120 s

• Environmental Characteristics

Energy Efficiency Label (EEL)	A
Mercury (Hg) Content	4.7 mg
Energy consumption kWh/1000h	43 kWh

• Measuring Conditions

Switching cycle	1050X
-----------------	-------

• Product Dimensions

Overall Length C	95 (max) mm
Diameter D	111 (max) mm

Overall Length C [inch]	3.75 (max) in
-------------------------	---------------

• Product Data

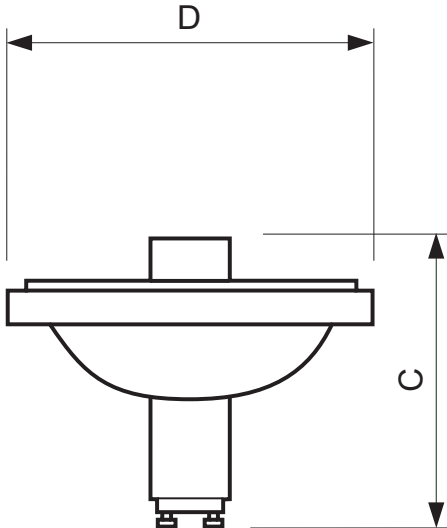
Order code	928195405330
Full product code	928195405330
Full product name	MASTERColour CDM-R111 Elite 35W/930 GX8.5 24D
Order product name	MC CDM-R111 Elite 35W/930 GX8.5 24D
Pieces per pack	1
Packing configuration	6
Packs per outerbox	6
Bar code on pack - EAN1	8718291689447
Bar code on outerbox - EAN3	8718291689454
Logistic code(s) - 12NC	928195405330
ILCOS code	MRS/UB-35/930-H-GX8.5-111/88/24
Net weight per piece	0.096 kg

Warnings and Safety

- Control gear must include end-of-life protection (IEC61167, IEC 62035)
- Use only with electronic control gear. 35W/930 lamps may also use electromagnetic gear.

- A lamp breaking is extremely unlikely to have any impact on your health. If a lamp breaks, ventilate the room for 30 minutes and remove the parts, preferably with gloves. Put them in a sealed plastic bag and take it to your local waste facilities for recycling. Do not use a vacuum cleaner.

Dimensional drawing

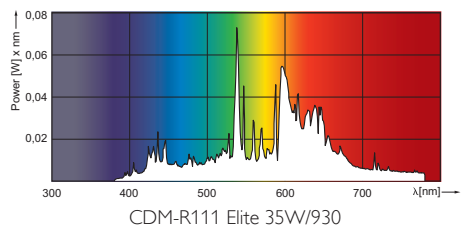


GX8.5

MASTERColour CDM-R111 Elite 35W/930 GX8.5 24D

Product	C (Max)	D (Max)
CDM-R111 Elite 35W/930 24D	95	111

Photometric data



© 2013 Koninklijke Philips N.V. (Royal Philips)
All rights reserved.

Specifications are subject to change without notice. Trademarks are the property of Koninklijke Philips N.V. (Royal Philips) or their respective owners.

www.philips.com/lighting

2013, October 9
data subject to change