



MASTERColour CDM-R111 Elite

MASTERColour CDM-R111 Elite 70W/930 GX8.5 40D

MASTERColour CDM-R111 Elite combines the trendy look of 111 mm aluminum-reflector halogen lamps with the long life, high energy efficiency and crisp white light of MASTERColour CDM.

Product data

• General Characteristics

Cap-Base	GX8.5
Bulb	R111 [R 111mm]
Bulb Finish	Reflector
Operating Position	any [Any or Universal (U)]
Life to 5% failures EL	8000 hr
Life to 10% failures EL	9500 hr
Life to 20% failures EL	10500 hr
Life to 50% failures EL	12000 hr

• Light Technical Characteristics

Beam Description	Flood [Flood]
Beam Angle	40 D
Beam Angle Technical	27 (min), 36 (nom), 45 (max) D
Luminous Intensity	8500 cd
Color Code	930 [CCT of 3000K]
Color Rendering Index	89 (min), 92 (nom) Ra8
Color Designation (text)	Warm White
Color Temperature	3000 K
Color Temperature Technical	3000 K
Forward Luminous Output	3700 Lm
Forward Luminous Efficacy	50 Lm/W
LLMF - end nominal lifetime	70 %
Forward Lum Maintenance 2000h	90 %

Forward Lum Maintenance 4000h	85 %
Forward Lum Maintenance 8000h	80 %
Forward Lum Maintenance 12000h	70 %
Design Mean Lumens	3100 Lm
Chromaticity Coordinate X	0.437 -
Chromaticity Coordinate Y	0.396 -
Luminous flux in 90° cone	3550 Lm

• Electrical Characteristics

System Power EL	80 W
Lamp Wattage	70 W
Lamp Wattage EL	70 W
Lamp Wattage EL 25°C, Rated	73.0 W
Lamp Voltage	89 V
Lamp Current EL	0.820 A
Ignition Time	30 (max) s
Run-up time 90%	3 (max) min
Re-ignition Time [min]	15 (max) min
Dimmable	No
Warm-up Time to 60% Light Outp	120 s

• Environmental Characteristics

Energy Efficiency Label (EEL)	A
Mercury (Hg) Content	6.6 mg

PHILIPS

MASTERColour CDM-R111 Elite

Energy consumption 80 kWh
kWh/1000h

• Measuring Conditions

Switching cycle 1050X

• Product Dimensions

Overall Length C 95 (max) mm
Diameter D 111 (max) mm
Overall Length C 3.75 (max) in
[inch]

• Product Data

Order code 928195805330

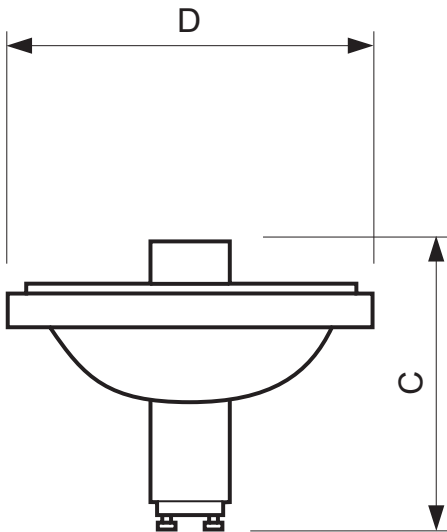
Full product code 928195805330
Full product name MASTERColour CDM-R111 Elite
70W/930 GX8.5 40D
Order product name MC CDM-R111 Elite 70W/930 GX8.5
40D
Pieces per pack 1
Packing configuration 6
Packs per outerbox 6
Bar code on pack -
EAN1 8718291689782
Bar code on
outerbox - EAN3 8718291689799
Logistic code(s) -
12NC 928195805330
ILCOS code MRS/UB-70/930-H-GX8.5-111/88/40
Net weight per piece 0.096 kg

Warnings and Safety

- Control gear must include end-of-life protection (IEC61167, IEC 62035)
- Use only with electronic control gear. 35W/930 lamps may also use electromagnetic gear.

- A lamp breaking is extremely unlikely to have any impact on your health. If a lamp breaks, ventilate the room for 30 minutes and remove the parts, preferably with gloves. Put them in a sealed plastic bag and take it to your local waste facilities for recycling. Do not use a vacuum cleaner.

Dimensional drawing

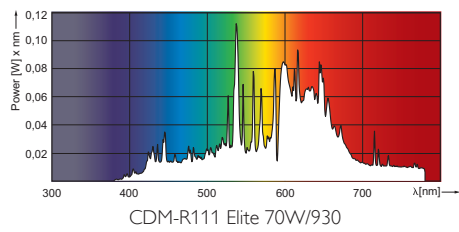


GX8.5

MASTERColour CDM-R111 Elite 70W/930 GX8.5 40D

Product	C (Max)	D (Max)
CDM-R111 Elite 70W/930 40D	95	111

Photometric data



© 2013 Koninklijke Philips N.V. (Royal Philips)
All rights reserved.

Specifications are subject to change without notice. Trademarks are the property of Koninklijke Philips N.V. (Royal Philips) or their respective owners.

www.philips.com/lighting

2013, October 9
data subject to change