



# MASTERColour CDM-R Elite

MASTERColour CDM-R Elite 70W/942 E27 PAR30L 30D

Compact, very high-efficiency, long-life Ceramic Metal Halide discharge reflector lamp producing crisp white sparkling light with high colour rendering

## Product data

### • General Characteristics

Cap-Base	ES [ES]
Bulb	PAR30L [PAR 3.75 inch/95mm Long]
Bulb Finish	Clear
Burning Position	any [Any/Universal]
Life to 5% failures EL	9000 hr
Life to 10% failures EL	10000 hr
Life to 20% failures EL	12000 hr
Life to 50% failures EL	15000 hr

### • Light Technical Characteristics

Beam Description	Flood [Flood]
Beam Angle	30 D
Technical Beam Angle	23 (min), 30 (nom), 37 (max) D
Luminous Intensity	13500 cd
Colour Code	942 [CCT of 4200K]
Colour Rendering Index	89 (min), 92 (nom) Ra8
Colour Designation	Cool White
Colour Temperature	4200 K
Colour Temperature Technical	4200 K
Lamp Luminous Flux EL	5200 Lm
Forward Luminous Output	4700 (min), 5200 (nom) Lm
Forward Luminous Efficacy	71 Lm/W
LLMF - end nominal lifetime	75 %
Forward Lum Maintenance 2000h	90 %

Forward Lum Maintenance 4000h	84 %
Forward Lum Maintenance 8000h	80 %
Forward Lum Maintenance 12000h	77 %
Forward Lum Maintenance 15000h	75 %
Design Mean Lumens	4200 Lm
Chromaticity Coordinate X	0.372 -
Chromaticity Coordinate Y	0.369 -
Luminous flux in 90° cone	4500 Lm

### • Electrical Characteristics

System Power EL	80 W
Lamp Wattage	70 W
Lamp Wattage EL	70 W
Lamp Wattage EL 25°C, Rated	73 W
Lamp Voltage	90 V
Lamp Current EL	0.810 A
Ignition Time	30 (max) s
Run-up time 90%	3 (max) min
Re-ignition Time [min]	15 (max) min
Dimmable	no
Warm-up Time to 60% Light Outp	120 s

### • Environmental Characteristics

Energy Efficiency Label (EEL)	A
-------------------------------	---

**PHILIPS**

# MASTERColour CDM-R Elite

Mercury (Hg) Content 6.5 mg  
Energy consumption 80 kWh/1000h

## • Measuring Conditions

Switching cycle 1350X

## • Luminaire Design Requirements

Cap-Base Temperature 200 (max) C  
Bulb Temperature 300 (max) C

## • Product Dimensions

Overall Length C 123 (max) mm  
Diameter D 97 (max) mm  
Overall Length C 4.84 (max) in [inch]

## • Product Data

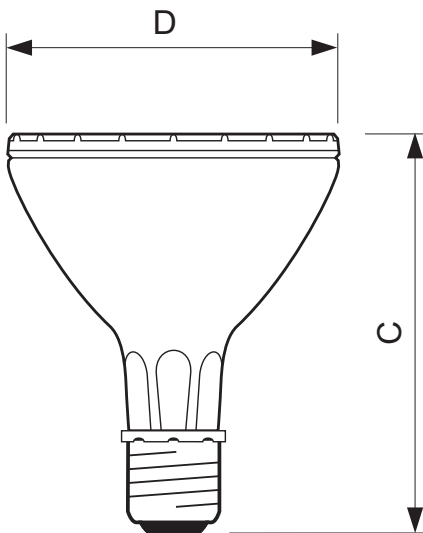
Order code 651673 00  
Full product code 871829165167300  
Full product name MASTERColour CDM-R Elite 70W/942 E27 PAR30L 30D  
Order product name MC CDM-R Elite 70W/942 E27 PAR30L 30D  
Pieces per pack 1  
Packing configuration 6  
Packs per outerbox 6  
Bar code on pack - EAN1 8718291651673  
Bar code on outerbox - EAN3 8718291651680  
Logistic code(s) - 12NC 928053000630  
Net weight per piece 0.225 kg

## Warnings and Safety

- Use only with electronic control gear

- Control gear must include end-of-life protection (IEC61167, IEC 62035)

## Dimensional drawing

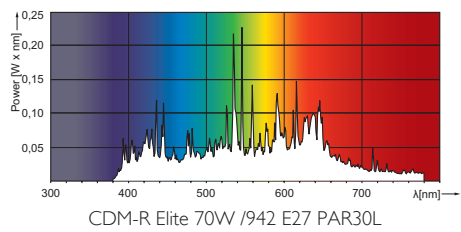


E27

## MASTERColour CDM-R Elite 70W/942 E27 PAR30L 30D

Product	C (Max)	D (Max)
CDM-R Elite 70W/942 E27 PAR30L 30D	123	97

Photometric data



© 2015 Koninklijke Philips N.V. (Royal Philips)  
All rights reserved.

Specifications are subject to change without notice. Trademarks are the property of Koninklijke Philips N.V. (Royal Philips) or their respective owners.

[www.philips.com/lighting](http://www.philips.com/lighting)

2015, July 11  
data subject to change