



# MASTERColour CDM-R Elite

MASTERColour CDM-R Elite 70W/930 E27 PAR30L 30D

Compact, very high-efficiency, long-life Ceramic Metal Halide discharge reflector lamp producing crisp white sparkling light with high color rendering

## Product data

### • General Characteristics

Cap-Base	E27
Bulb	PAR30L [PAR 3.75 inch/95mm Long]
Bulb Finish	Clear
Operating Position	any [Any or Universal (U)]
Life to 5% failures EM	5500 hr
Life to 5% failures EL	9000 hr
Life to 10% failures EM	6500 hr
Life to 10% failures EL	10000 hr
Life to 20% failures EM	8000 hr
Life to 20% failures EL	12000 hr
Life to 50% failures EM	12000 hr
Life to 50% failures EL	15000 hr

### • Light Technical Characteristics

Beam Description	Flood [Flood]
Beam Angle	30 D
Beam Angle Technical	30 D
Luminous Intensity	14000 cd
Color Code	930 [CCT of 3000K]
Color Rendering Index	89 (min), 92 (nom) Ra8
Color Designation (text)	Warm White
Color Temperature	3000 K
Color Temperature Technical	2900 K
Forward Luminous Output	5100 Lm

Forward Luminous Efficacy	70 Lm/W
LLMF - end nominal lifetime	80 %
Forward Lum Maintenance 2000h	94 %
Forward Lum Maintenance 4000h	90 %
Forward Lum Maintenance 8000h	86 %
Forward Lum Maintenance 12000h	82 %
Forward Lum Maintenance 15000h	80 %
Design Mean Lumens	3800 Lm
Chromaticity Coordinate X	0.443 -
Chromaticity Coordinate Y	0.402 -
Luminous flux in 90° cone	4500 Lm

### • Electrical Characteristics

System Power EL	80 W
Lamp Wattage	70 W
Lamp Wattage EL	70 W
Lamp Wattage EL 25°C, Rated	73.0 W
Lamp Voltage	86 V
Lamp Current EL	0.850 A
Ignition Time	30 (max) s
Run-up time 90%	3 (max) min
Re-ignition Time [min]	15 (max) min
Dimmable	No

**PHILIPS**

# MASTERColour CDM-R Elite

Warm-up Time to 60% Light Outp 120 s

Diameter D 97 (max) mm  
Overall Length C 4.84 (max) in [inch]

## • Environmental Characteristics

Energy Efficiency Label (EEL) A  
Mercury (Hg) Content 6.6 mg  
Energy consumption kWh/1000h 80 kWh

## • Product Data

Order code 928109400630  
Full product code 928109400630  
Full product name MASTERColour CDM-R Elite 70W/930 E27 PAR30L 30D  
Order product name MC CDM-R Elite 70W/930 E27 PAR30L 30D  
Pieces per pack 1  
Packing configuration 6  
Packs per outerbox 6  
Bar code on pack - EAN1 8718291241881  
Bar code on outerbox - EAN3 8718291241898  
Logistic code(s) - 12NC 928109400630  
ILCOS code MRS/UB-70/930-H-E27-95/125/30  
Net weight per piece 0.220 kg

## • Measuring Conditions

Switching cycle 1350X

## • Luminaire Design Requirements

Cap-Base Temperature 200 (max) C  
Bulb Temperature 300 (max) C

## • Product Dimensions

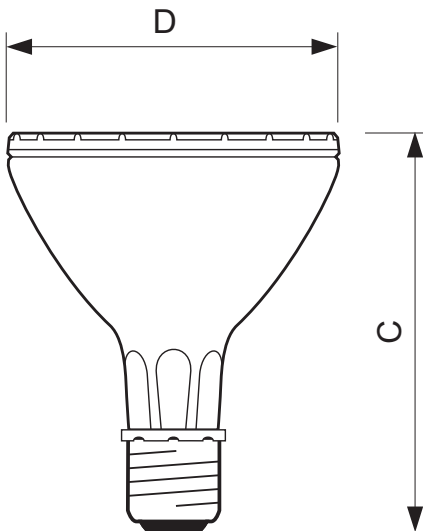
Overall Length C 123 (max) mm

## Warnings and Safety

- Use only with electronic control gear
- Control gear must include end-of-life protection (IEC61167, IEC 62035)

- A lamp breaking is extremely unlikely to have any impact on your health. If a lamp breaks, ventilate the room for 30 minutes and remove the parts, preferably with gloves. Put them in a sealed plastic bag and take it to your local waste facilities for recycling. Do not use a vacuum cleaner.

## Dimensional drawing

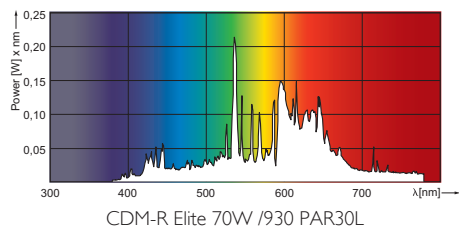


E27

## MASTERColour CDM-R Elite 70W/930 E27 PAR30L 30D

Product	C (Max)	D (Max)
CDM-R Elite 70W/930 E27 PAR30L 30D	123	97

## Photometric data



© 2015 Koninklijke Philips N.V. (Royal Philips)  
All rights reserved.

Specifications are subject to change without notice. Trademarks are the property of Koninklijke Philips N.V. (Royal Philips) or their respective owners.

[www.philips.com/lighting](http://www.philips.com/lighting)

2015, July 11  
data subject to change