



MASTERColour CDM-R111

MASTERColour CDM-R111 35W/942 GX8.5 40D 1CT

The MASTERColour CDM-R111 combines the trendy look of the 111 mm aluminium reflector halogen lamps with the long life, high energy efficiency and crisp white light of MASTERColour CDM.

Product data

• General Characteristics

Cap-Base	GX8.5
Bulb	R111 [R 111mm]
Bulb Finish	Reflector
Operating Position	any [Any or Universal (U)]
Life to 5% failures EL	6000 hr
Life to 10% failures EL	6500 hr
Life to 20% failures EL	7000 hr
Life to 50% failures EL	9000 hr

• Light Technical Characteristics

Beam Description	Flood [Flood]
Beam Angle	40 D
Beam Angle Technical	27 (min), 36 (nom), 45 (max) D
Luminous Intensity	4000 cd
Color Code	942 [CCT of 4200K]
Color Rendering Index	93 Ra8
Color Designation (text)	Cool White
Color Temperature	4200 K
Color Temperature Technical	4225 K
Luminous Flux Lamp EL	1350 Lm
LLMF - end nominal lifetime	65 %
Chromaticity Coordinate X	0.370 -
Chromaticity Coordinate Y	0.365 -

Luminous flux in 90° cone 1300 Lm

• Electrical Characteristics

System Power EL	44 W
Lamp Wattage	35 W
Lamp Wattage EL	35 W
Lamp Wattage EL 25°C, Rated	39.0 W
Lamp Voltage	86 V
Lamp Current EL	0.46 A
Ignition Time	30 (max) s
Run-up time 90%	3 (max) min
Re-ignition Time [min]	15 (max) min
Dimmable	No
Warm-up Time to 60% Light Outp	120 s

• Environmental Characteristics

Energy Efficiency Label (EEL)	B
Mercury (Hg) Content	3.0 mg
Energy consumption kWh/1000h	43 kWh

• UV-related Characteristics

Damage Factor D/fc PET (NIOSH)	0.4 (max) - 8 (min) h500lx
--------------------------------	----------------------------

• Measuring Conditions

Switching cycle	800X
-----------------	------



asimpleswitch.com

PHILIPS

• Product Dimensions

Overall Length C	95 (max) mm
Diameter D	111 (max) mm
Overall Length C [inch]	3.75 (max) in

• Product Data

Order code	928096605330
Full product code	928096605330
Full product name	MASTERC colour CDM-R111 35W/942 GX8.5 40D 1CT

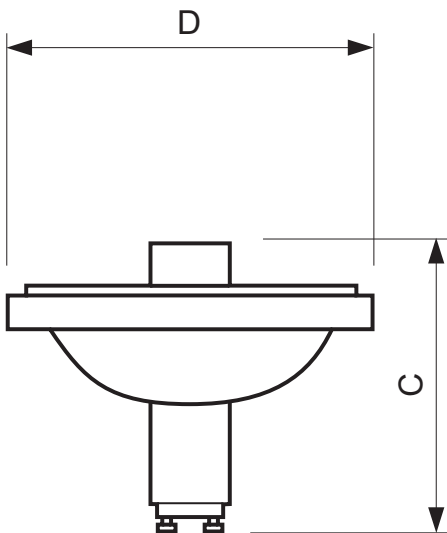
Order product name	MASTERC CDM-R111 35W/942 GX8.5 40D 1CT
Pieces per pack	1
Packing configuration	6
Packs per outerbox	6
Bar code on pack - EAN1	8711500213891
Bar code on outerbox - EAN3	8711500213907
Logistic code(s) - 12NC	928096605330
ILCOS code	MRS/UB-35/942-H-GX8.5-111/88/40
Net weight per piece	0.095 kg

Warnings and Safety

- Control gear must include end-of-life protection (IEC61167, IEC 62035)
- Use only with electronic control gear. 35W/830 lamps may also use electromagnetic gear.

- A lamp breaking is extremely unlikely to have any impact on your health. If a lamp breaks, ventilate the room for 30 minutes and remove the parts, preferably with gloves. Put them in a sealed plastic bag and take it to your local waste facilities for recycling. Do not use a vacuum cleaner.

Dimensional drawing

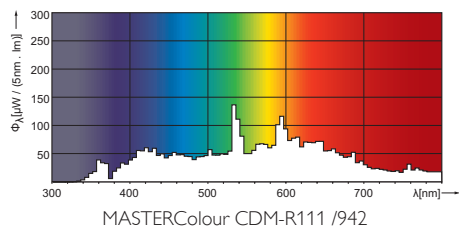


GX8.5

MASTERC colour CDM-R111 35W/942 GX8.5 40D 1CT

Product	C (Max)	D (Max)
CDM-R111 35W/942 40D	95	111

Photometric data



© 2015 Koninklijke Philips N.V. (Royal Philips)
All rights reserved.

Specifications are subject to change without notice. Trademarks are the property of Koninklijke Philips N.V. (Royal Philips) or their respective owners.

www.philips.com/lighting

2015, July 11
data subject to change