



MASTER CityWhite CDO-TT

MASTER CityWhite CDO-TT Plus 70W/828 E27

Ceramic metal halide lamp with clear tubular outer bulb shape, used in outdoor offering pleasant white light

Product data

• General Characteristics

Cap-Base	E27
Bulb	T35 [T 35mm]
Bulb Finish	Clear
Operating Position	any [Any or Universal (U)]
Life to 5% failures	9500 hr
Life to 10% failures	12000 hr
Life to 20% failures	14500 hr
Life to 50% failures	20000 hr
LSF EM 2000h Rated, 12h cycle	99 %
LSF EM 4000h Rated, 12h cycle	99 %
LSF EM 6000h Rated, 12h cycle	99 %
LSF EM 8000h Rated, 12h cycle	98 %
LSF EM 12000h Rated, 12h cycle	90 %
LSF EM 16000h Rated, 12h cycle	74 %
LSF EM 20000h Rated, 12h cycle	50 %

• Light Technical Characteristics

Color Code	828 [CCT of 2800K]
Color Rendering Index	90 Ra8
Color Designation (text)	Warm White
Color Temperature	2800 K
Color Temperature Technical	2800 K
Luminous Flux EM 25°C, Rated	7500 Lm

Lum Efficacy Rated EM 25°C	103 Lm/W
LLMF EM 2000h Rated	95 %
LLMF EM 4000h Rated	90 %
LLMF EM 6000h Rated	86 %
LLMF EM 8000h Rated	83 %
LLMF EM 12000h Rated	78 %
LLMF EM 16000h Rated	74 %
LLMF EM 20000h Rated	71 %
Chromaticity Coordinate X	446 -
Chromaticity Coordinate Y	393 -

• Electrical Characteristics

Lamp Wattage	70 W
Lamp Wattage EM 25°C, Nominal	70.0 W
Lamp Wattage EM 25°C, Rated	73.0 W
Lamp Voltage	93 V
Lamp Current EM	1 A
Ignition Time	30 (max) s
Run-up time 90%	3 (max) min
Dimmable	Yes
Re-ignition Time [sec]	720 (max) s
Ratio scotopic/photopic lumens	1.30 -

PHILIPS

• Environmental Characteristics

Energy Efficiency Label (EEL)	A+
Mercury (Hg) Content	6.8 mg
Energy consumption kWh/1000h	80 kWh

• UV-related Characteristics

PET (NIOSH)	8 (min) h500lx
-------------	----------------

• Luminaire Design Requirements

Cap-Base Temperature	200 (max) C
Bulb Temperature	350 (max) C

• Product Dimensions

Overall Length C	156 (max) mm
Diameter D	36 (max) mm

Light Center Length L	102 mm
Arc Length O	7.15 mm

• Product Data

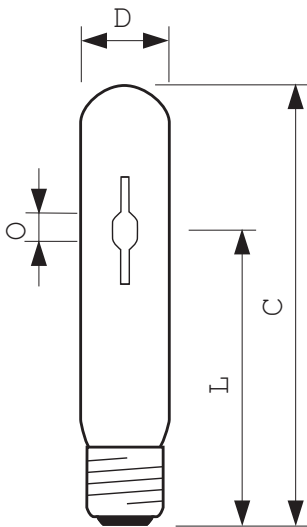
Order code	928082019235
Full product code	928082019235
Full product name	MASTER CityWhite CDO-TT Plus 70W/828 E27
Order product name	MASTER CityWh CDO-TT Plus 70W/828 E27
Pieces per pack	1
Packing configuration	12
Packs per outerbox	12
Bar code on pack - EAN1	8718291120308
Bar code on outerbox - EAN3	8718291120315
Logistic code(s) - 12NC	928082019235
ILCOS code	MT-70/828-H-E27-39/156
Net weight per piece	0.048 kg

Warnings and Safety

- Use only in totally enclosed luminaire, even during testing (IEC61167, IEC 62035, IEC60598)
- The luminaire must be able to contain hot lamp parts if the lamp ruptures

- Lamps may use electronic or electromagnetic control gear
- Control gear must include end-of-life protection (IEC61167, IEC 62035)
- Warm restart time can be up to 15 minutes; T15 ignitors therefore advised

Dimensional drawing

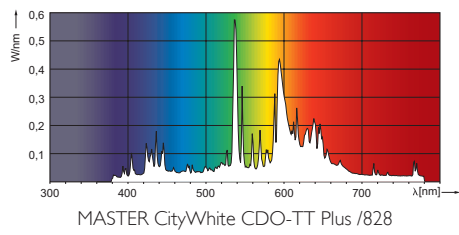


E27

MASTER CityWhite CDO-TT Plus 70W/828 E27

Product	C (Max)	D (Max)	L (Norm)	O (Norm)
CDO-TT Plus 70W/828 E27	156	36	102	7.15

Photometric data



© 2013 Koninklijke Philips N.V. (Royal Philips)
All rights reserved.

Specifications are subject to change without notice. Trademarks are the property of Koninklijke Philips N.V. (Royal Philips) or their respective owners.

www.philips.com/lighting

2013, October 9
data subject to change