



MASTER CityWhite CDO-TT

MASTER CityWhite CDO-TT Plus 50W/828 E27

Ceramic metal halide lamp with clear tubular outer bulb shape, used in outdoor offering pleasant white light

Product data

• General Characteristics

Cap-Base	ES [ES]
Bulb	T31 [T 31mm]
Bulb Finish	Clear
Burning Position	any [Any/Universal]
Life to 5% failures	8500 hr
Life to 10% failures	10000 hr
Life to 20% failures	12000 hr
Life to 50% failures	16000 hr
LSF EM 16000h	50 %
Rated,12h cycle	
LSF EM 12000h	80 %
Rated,12h cycle	
LSF EM 8000h Rated,	95 %
12h cycle	
LSF EM 6000h Rated,	98 %
12h cycle	
LSF EM 4000h Rated,	99 %
12h cycle	
LSF EM 2000h Rated,	99 %
12h cycle	

• Light Technical Characteristics

Colour Code	828 [CCT of 2800K]
Colour Rendering Index	89 Ra8
Colour Designation	Warm white
Colour Temperature	2800 K
Colour Temperature Technical	2800 K
Chromaticity Coordinate X	443 -
Chromaticity Coordinate Y	395 -
Lum Efficacy Rated EM 25°C	104 Lm/W

LLMF EM 20000h	71 %
Rated	
LLMF EM 16000h	74 %
Rated	
LLMF EM 12000h	80 %
Rated	
LLMF EM 8000h	88 %
Rated	
LLMF EM 6000h	92 %
Rated	
LLMF EM 4000h	96 %
Rated	
LLMF EM 2000h	98 %
Rated	
Luminous Flux EM 25°C, Rated	5500 Lm

• Electrical Characteristics

Lamp Wattage	50 W
Lamp Voltage	84 V
Lamp Current EM	0.760 A
Ignition Time	30 (max) s
Run-up time 90%	3 (max) min
Dimmable	yes
Re-ignition Time [sec]	720 (max) s
Lamp Wattage EM 25°C, Rated	53 W
Lamp Wattage EM 25°C, Nominal	50 W
Ratio scotopic/ photopic lumens	1.30 -

PHILIPS

sense and simplicity

MASTER CityWhite CDO-TT

• Environmental Characteristics

Mercury (Hg) Content 5.10 mg

• UV-related Characteristics

PET (NIOSH) 8 (min) h500lx

• Luminaire Design Requirements

Cap-Base Temperature 200 (max) C
Bulb Temperature 350 (max) C

• Product Dimensions

Overall Length C 156 (max) mm
Diameter D 36 (max) mm
Light Center Length L 102 mm
Arc Length O 5.25 mm

• Product Data

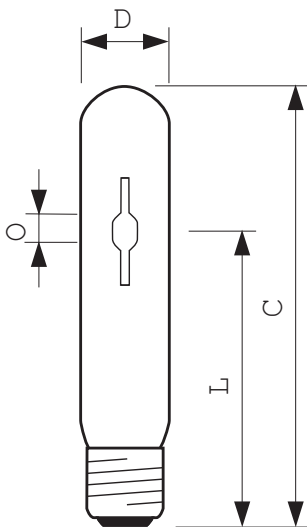
Order code 185611 00
Full product code 871829118561100
Full product name MASTER CityWhite CDO-TT Plus 50W/828 E27
Order product name MASTER CityWh CDO-TT Plus 50W/828 E27
Pieces per pack 1
Packing configuration 12
Packs per outerbox 12
Bar code on pack - EAN1 8718291185611
Bar code on outerbox - EAN3 8718291185628
Logistic code(s) - 12NC 928082419235
ILCOS code MT-50/28/1B-H-E27
Net weight per piece 0.060 kg

Warnings and Safety

- Use only in totally enclosed luminaire, even during testing (IEC61167, IEC 62035, IEC60598)
- The luminaire must be able to contain hot lamp parts if the lamp ruptures

- Lamps may use electronic or electromagnetic control gear
- Control gear must include end-of-life protection (IEC61167, IEC 62035)

Dimensional drawing

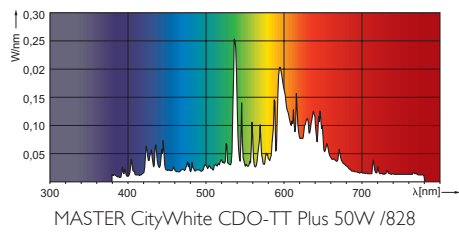


E27

CDO-TT Plus, 50W/70W, E27

Product	C (Max)	D (Max)	L (Norm)	O (Norm)
CDO-TT Plus 50W/828 E27	156	36	102	5.25

Photometric data



© 2012 Koninklijke Philips Electronics N.V.
All rights reserved.

Specifications are subject to change without notice. Trademarks are the property of Koninklijke Philips Electronics N.V. or their respective owners.

www.philips.com/lighting

2012, October 17
data subject to change