

MSD Platinum (Touring/Stage)



MSD Platinum 17 RA

The MSD Platinum lamps open up new levels of creative freedom in entertainment lighting, with powerful, compact and brilliantly intense light. Their compact, lightweight design provides the freedom to create smaller, lighter luminaires – for use at any location on stage. And their short arc, high color temperature and innovative reflector produce a sparkling, high beam intensity for outstanding color reproduction. They also offer long and reliable lifetime, high efficacy and fast replacement times. It all adds up to an intensely exciting creative experience.

Product data

• General Characteristics

System Description	Reflector-E20.9
Cap-Base	-
Cap-Base Information	-
Operating Position	any
Main Application	Stage/Touring
Life to 50% failures	1500 hr
EM	

• Light Technical Characteristics

Color Code	2
Color Rendering Index	85 Ra8
Color Temperature	7000 K
Chromaticity Coordinate X	307 -
Chromaticity Coordinate Y	316 -

• Electrical Characteristics

Watts	350 W
Lamp Wattage Technical	350.0 W
Dimmable	Yes

• Luminaire Design Requirements

Pinch Temperature	350 (max) C
Bulb Temperature	880 (max) C

• Product Dimensions

Overall Length C	63 (max) mm
Diameter D	51.4 (max) mm
Arc Length O	1.0 mm
Height Exhaust Tip T	10.0 (max) mm

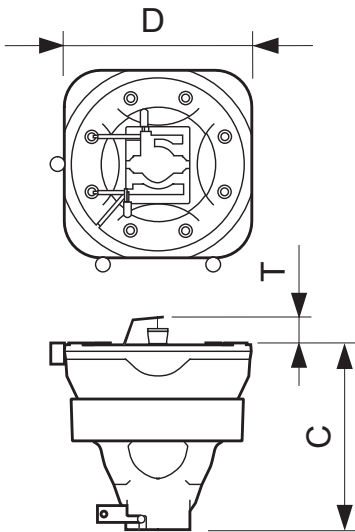
• Product Data

Product number	259176
Full product name	MSD Platinum 17 RA
Short product name	MSD Platinum 17 RA 1CT/8
Pieces per Sku	1
eop_pck_cfg	8
Skus/Case	8
Bar code on pack	8718291767794
Bar code on case	8718291767800
Logistics code(s)	928197305314
eop_net_weight_pp	0.120 kg

PHILIPS

MSD Platinum (Touring/Stage)

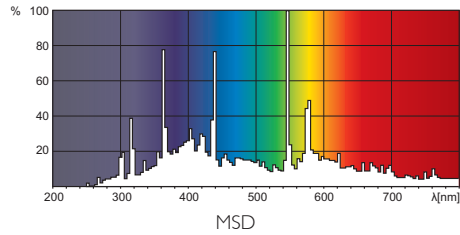
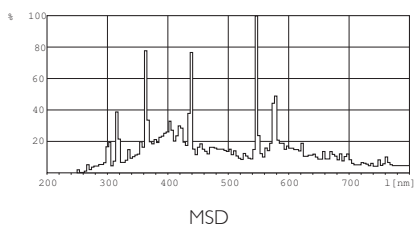
Dimensional drawing



MSD Platinum 17 RA

Product	C (Max)	D (Max)	F (Min)	F (Norm)	F (Max)	L (Min)	L (Norm)	L (Max)	O (Norm)	T (Max)
MSD Platinum 17 RA	63	51.4	-	-	-	-	-	-	1.0	10.0

Photometric data



© 2014 Koninklijke Philips N.V. (Royal Philips)
All rights reserved.

Specifications are subject to change without notice. Trademarks are the property of Koninklijke Philips N.V. (Royal Philips) or their respective owners.

www.philips.com/lighting

2014, December 22
data subject to change