



DynaVision Programmable Xtreme for SON

HID-DV PROG Xt 100 SON Q 208-277V

Highly reliable and flexible electronic drivers for SON lamps; designed to save energy via integrated controls, and to reduce maintenance costs thanks to 80,000-hour lifetime and integrated lightning protection. The DynaVision Programmable product family is the perfect basis for any sort of lighting management solution.

Product data

• General Information

Application Code	-
Type Version	Not specified
Lamp Type	SON
Number Of Lamps	1 piece/unit
Suitable For Outdoor Use	Yes
Number Of Products On MCB (16A Type B) (Nom)	5
Default Lamp Selected	SON100
Automatic Restart	Yes

• Operating and Electrical

Input Voltage	208-240-277 V
Input Frequency	50-60_1 Hz
Minimum Mains Voltage Operation (Min)	172 V
Operating Frequency (Nom)	0.40 kHz
Power Factor 100% Load (Nom)	0.99
Ignition Voltage (Max)	5.0 kV
Ignition Switch-Off Time (Max)	20 min
Mains Voltage Performance (AC)	188-305V
Mains Voltage Safety (AC)	160-305V
Earth Leakage Current (Max)	0.7 mA
Output Peak Voltage (Max)	250 V

Inrush Current Width	0.47 ms
Lamp Power Tolerance	-3%/+3%
Input Current (Nom)	0.53 A
Inrush Current Peak (Nom)	52 A

• Wiring

Cable Capacity	1000 pF
Output Wires Mutual (Nom)	
Cable Length From Device To Lamp	10 m
Wire Striplength	10.0-11.0 mm
Ballast Contact Wire Cross Section	0.50-2.50 mm ²
Connector Type	WAGO series 804

• System characteristics

Rated Ballast-Lamp Power	100 W
System Power On CDO	-
Lamp Power On CDO	-
Power Loss On CDO	-
Rated Lamp Power On SON	100 W
System Power On SON	106 W
Lamp Power On SON	98 W
Power Loss On SON	8 W

PHILIPS

DynaVision Programmable Xtreme for SON

Power Loss On SON While Dimming 5 W

• Temperature

T-Ambient (Max) 55 °C
 T-Ambient (Min) -30 °C
 T-Storage (Max) 55 °C
 T-Storage (Min) -30 °C
 T-Case Lifetime (Nom) 80 °C
 T-Case Switch Off (Min) 92 °C

• Controls and Dimming

Control Interface PROG
 Programmable Lamp Settings CPO90/SON100/CDO100
 Pre-Set Integrated Controls Dali
 Programmable Dimming Options ALO/CLO/Dynadim/Lineswitch/AmpDim
 Run-Up Time Before Dimming 10 min
 Fade Down Rate 1.2 %/sec
 Fade Up Rate 16 %/sec
 Regulating Level 20%-100%

• Mechanical and Housing

Housing Q

• Approval and Application

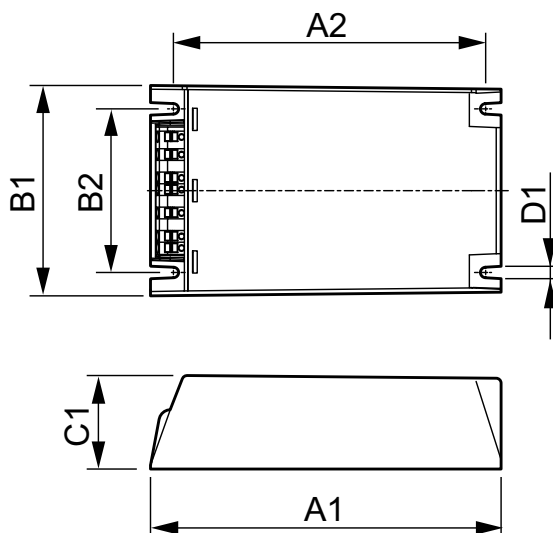
Surge Protection EN61547 (L-L 2kV, L-G 4kV), 10kV (Common/Differential) TIL kV
 IP Classification 34
 Luminaire

Active Temperature Protection Yes
 EMI 9 kHz ... 300 MHz CISPR 15 ed 7.2
 EMI 30 MHz ... 1000 MHz Not specified
 Safety Standard IEC 607, 609, 926, 928 [No Standard for HID Lamp drivers exists. Requirements in these standards to be used if considered relevant for the product.]
 Quality Standard ISO 9000:2000
 Environmental Standard ISO 14001
 Harmonic Current Emission Standard IEC 61000-3-2
 Vibration Standard IEC 68-2-6 Fc (10-150Hz, 2G)
 Bumps Standard IEC 68-2-29 Eb (10G/16ms)
 Humidity Standard EN 61347-2-12 clause 11
 Approval Marks F-Marking
 CE marking
 ENEC certificate
 VDE-EMV certificate
 Hum And Noise Level < 30 dB(A)

• Product Data

Full product code 871829166928900
 Order product name HID-DV PROG Xt 100 SON Q 208-277V
 EAN/UPC - Product 8718291669289
 Order code 913700693566
 Numerator - Quantity Per Pack 1
 Numerator - Packs per outer box 12
 Material Nr. (12NC) 913700693566
 Net Weight (Piece) 0.820 kg

Dimensional drawing

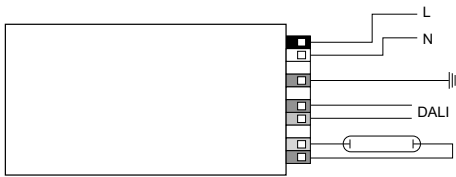


HID-DV PROG & LS SON Q

HID-DV PROG Xt 100 SON Q 208-277V

Product	D1	C1	A1	A2	B1	B2
HID-DV PROG Xt 100 SON Q 208-277V	4.5 mm	40.0 mm	150.0 mm	133.6 mm	90.0 mm	70.0 mm

Dimensional drawing



Dynavision LumiStep gear for SON Q



© 2016 Philips Lighting Holding B.V.
All rights reserved.

Specifications are subject to change without notice. Trademarks are the property of Koninklijke Philips N.V. (Royal Philips) or their respective owners.

www.philips.com/lighting

2016, March 15
data subject to change