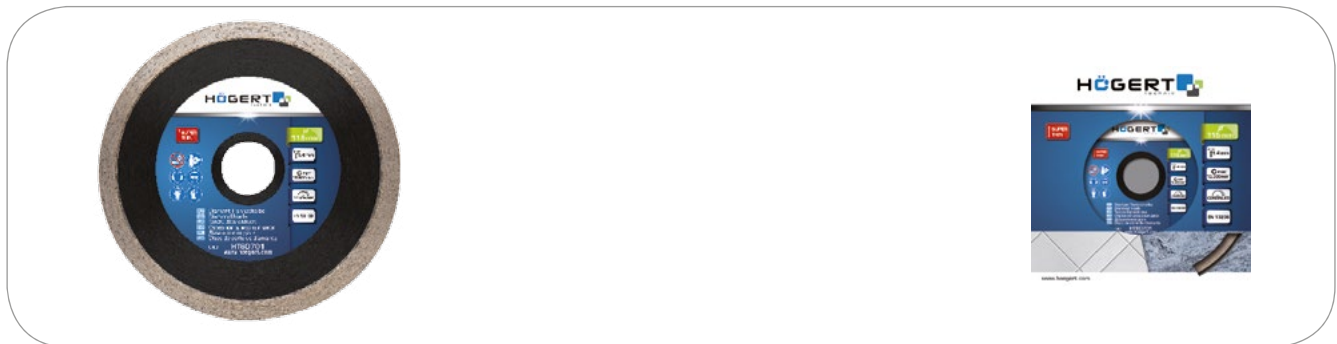


PRODUCT INFORMATION SHEET

Continuous rim diamond blade






















Description

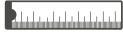

Continuous rim diamond blades for angle grinders and cutting machines. Designed for dry and wet cutting. Ideal for cutting wall tiles, floor tiles, ceramic tiles, marble and porcelain.

Characteristics

- high diamond concentration
- sintered cutting edge
- the perfect match of optimal cutting speed and blade durability
- burr free cutting
- stable body for an optimal circular motion
- manufactured in accordance with DIN 13236

Technical data

	Ø115 mm  1.4 mm  1.4 mm  22.2 mm Ø125 mm  1.6 mm  7 mm  22.2 mm Ø180 mm  1.8 mm  7.5 mm  25.4 mm Ø200 mm  1.8 mm  7.5 mm  25.4 mm Ø230 mm  2.0 mm  7 mm  22.2 mm
	1 pc
	50 pcs
	abrasion resistant steel

	HÖGERT	
115 mm	HT6D701	5901867166623
125 mm	HT6D702	5901867166630
180 mm	HT6D703	5901867166647
200 mm	HT6D704	5901867166654
230 mm	HT6D706	5901867166661



Högert Technik GmbH
Distribution in Poland GTV
ul. Przejazdowa 21
05-800 Pruszków, Polska
tel. +48 22 444 73 44
fax +48 22 444 75 01