

Date tehnice pentru produs: WSA8060300

Cutie metalică+contrapanou, o uşă IP66

ÎxLxA=800x600x300mm

tablă metalică, RAL7035, cu contrapanou, cu 2x încuietoare standard dublu bit, cu o flanşă L=500 A=190mm, tip G



SCHRACK-Info

- **Material:** Robust, cross-shaped construction which is welded from a cold-pressed sheet steel plate regardless on the enclosure size. The enclosure consists of two parts: corpus and door
- **Sheet steel thickness corpus:**
 - Single door:
 - 1.2mm: WSA3025150 to WSA8040300
 - 1.5mm: WSA8060210 to WSA1208300
 - Double door:
 - 1.2mm: WSA6080302
 - 1.5mm: WSA8012302 to WSA1410402
- **Gland plates:**
 - Blind gland plates made of 1.5mm powder-coated sheet steel
 - The cable entry is possible via gland plate openings in the bottom or the top because the enclosure can be rotated by 180°
 - The placement far back in the enclosure ensures an easy cable entry
 - A gasket to protect the degree of protection is included
 - Internal gland plates: WSA8012302, WSA8012402, WSA1006400, WSA1008400, WSA1010302, WSA1206400, WSA1208400, WSA1210302, WSA1212302, WSA1212402 and WSA1410402
- **Door:** Made of sheet steel and equipped with M6 threaded bolts for earthing

- Sheet steel thickness:
 - 1.2mm: WSA3025150 to WSA6040300
 - 1.5mm: WSA6050210 to WSA8040300, except WSA6080300 + WSA6080302 (each 2mm)
 - 2mm: WSA6080300 + WSA6080302, as well as WSA8060210 to WSA1410402
- All single door enclosures from WSA4040210 (H=400 W=400 D=210mm), as well as all double door enclosures are fitted with pre-assembled door-mounting profiles, which also serve for rail fastening
- The door is secured with two and from a height of 1000mm with three hinges and has an opening angle of 130°
- The door hinges are hidden and the door is attached with safety pins. The position of door hinges can be easily changed. The doors have a polyurethane foam seal to ensure the IP degree of protection
- **Lock:**
 - Single door:
 - 1x sash lock with double-bit insert: WSA3025150 to WSA4060210
 - 2x sash locks with double-bit insert: WSA5030210 to WSA1008400
 - 1x 3-point-lock with door lock: WSA1206300 to WSA1208400
 - Double door:
 - 4x sash locks with double-bit insert: WSA6080302 to WSA1010302
 - 1x 3-point-lock with mini-swing handle: WSA1210302 to WSA1410402
 - Single door enclosures from a height of 500mm have two sash locks
 - Single door enclosures from a height of 1200mm are equipped with a 3-point rod lock and a door lock
 - Double door enclosures from a height of 600mm have four sash locks
 - Double door enclosures from a height of 1200mm are equipped with a 3-point rod lock and a mini-swing handle
 - The lock insert for all locking systems is a 5mm double-bit lock
 - The mini-swing handle with 5mm double-bit lock can be exchanged for a door lock or a swing handle for half-cylinder locks
- **Mounting plate:**
 - 2mm galvanised sheet steel
 - The mounting plate is folded on the sides to increase rigidity
 - The mounting plate is installed on welded M8 bolts inside the enclosure and can be removed for assembly and wiring
 - It comes with earthing points to establish a connection to the body of the enclosure
- **Mounting:**
 - The enclosure can be mounted directly to the wall with wall-mounting brackets WSAWB004, the degree of protection is maintained
 - Alternatively, the enclosure can be mounted directly on the desired mounting surface using screws (pay attention to the degree of protection!)
 - The four M8 diameter wall-mounting holes are arranged in the corners of the rear panel
 - Several enclosures can be mounted beside each other thanks to the small door opening radius
 - For the widths 300, 400, 500 and 600mm, there are corresponding pole attachments WSAPCLx00
- **Outdoor installation:**
 - Enclosures and accessories of WSA series meet the requirements of standard IEC 62208 for metal enclosures that allow outdoor installation
 - The standard IEC 62208 allows a certain degree of oxidation Ri1 according to ISO 4628-3 and in practice this degree of oxidation does not affect the functionality and mechanical solidity of the enclosure. The implementation of maintenance to avoid aesthetic deterioration and to prolong its useful life is recommended (see below)
 - Corrosion protection for the entire enclosure is recommended
- **Degree of protection:**
 - Single door IP66
 - Double door IP54
- **Impact protection:** IK10, IK08 for glazed doors
- **Finish:** Iron phosphate and electrostatic powder coating

- **Color:** RAL 7035 (Light grey)
- **Supply includes:**
 - Enclosure with two door-mounting profiles (from enclosure width 300mm and above)
 - Blind gland plate(s) with gasket(s) and screws
 - One key DIN 5mm
 - One mounting plate with mounting material
 - Earthing possibilities are given

Maintenance recommendations for sheet steel wall-mounted enclosures outdoor:

- Enclosures and accessories of WKT and WSA series meet the requirements of standard **IEC 62208** for metal enclosures that allow outdoor installation
- The standard IEC 62208 allows a certain degree of **oxidation Ri1** according to **ISO 4628-3** and in practice this degree of oxidation does not affect the functionality and mechanical solidity of the enclosure. The implementation of maintenance to avoid aesthetic deterioration and to prolong its useful life is recommended
- **Interval:** Annually
- **Visual inspection:** Detection of any harm to the surface such as scrapes or impacts that could have damaged the paint coating
- **Initial signs of rust:** Due to scrapes, impacts or any other causes
 - Remove the surface rust
 - Abrade the surface rust to get rid of it completely
- **Cleaning:** Clean the affected area with alcohol or an evaporating cleaner
- **Paint:** Paint the affected surface with a synthetic paint (RAL 7035)
 - We recommend our grey textured paint color RAL 7035, Art.-nr. IU008106



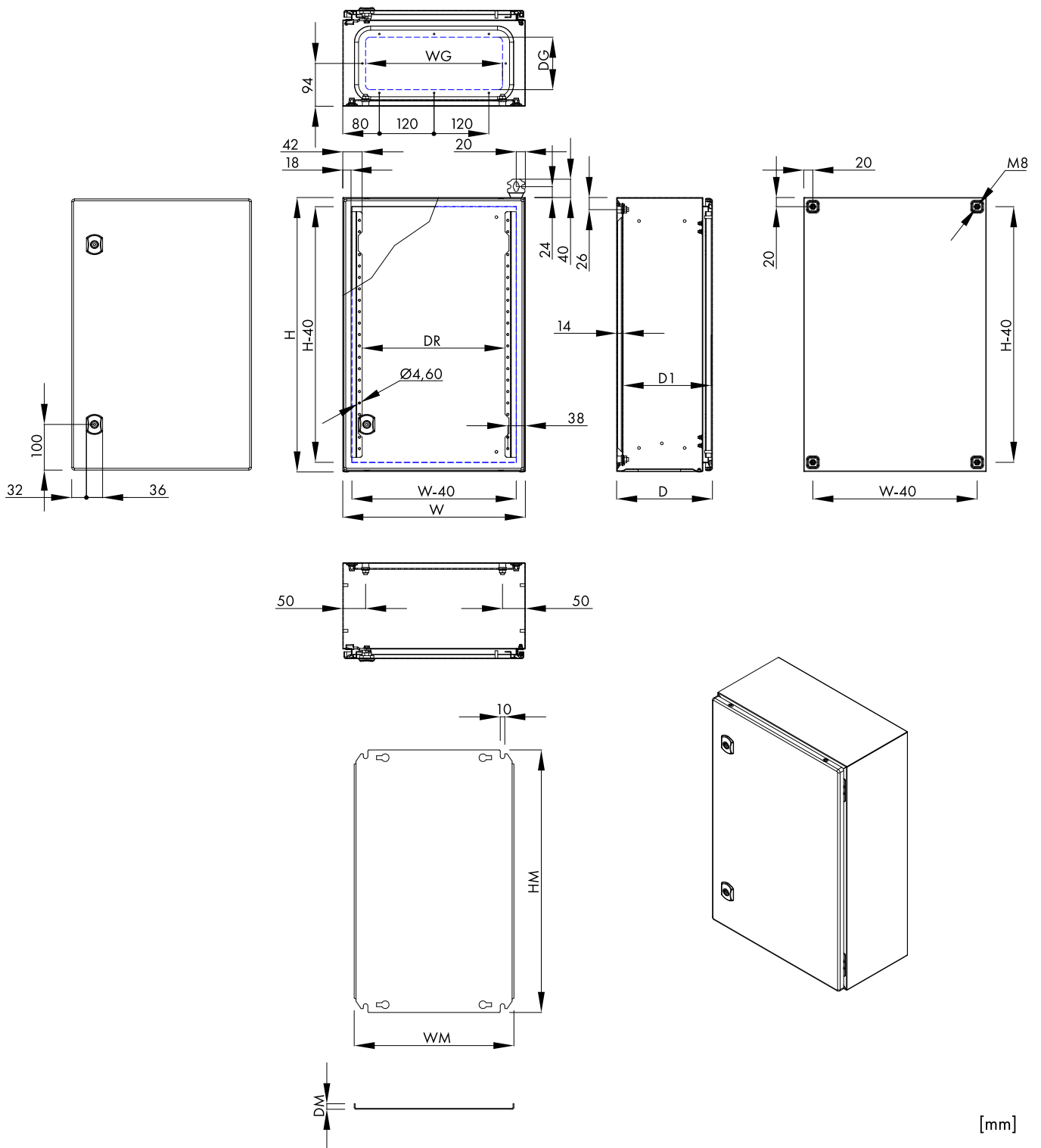
Fișe tehnice

Lățime netă (mm)	600,00
Înălțime (mm)	800,00
Adâncime netă (mm)	300,00
Masă netă (kg.)	35,43
Temperatura minimă a mediului ambiant (°C)	-40
Temperatura maximă a mediului ambiant (°C)	100
Categorie produs	Wall-mounted Enclosure Sheet Steel
Înălțime (mm)	800
Lățime (mm)	600
Adâncime (mm)	300
Total Load Capacity (kg.)	175
Grosimea peretelui corpului (mm)	1,50
Grad de protecție	IP66
Rezistență la impact	IK10
Contrașanouri	galvanized sheet steel 2mm
Mounting Plate Load Capacity (kg.)	150

Fișe tehnice - Continuare

Grosimea peretelui contrapanoului (mm)	2
Înălțimea contrapanoului (mm)	775
Lățimea contrapanoului (mm)	550
Număr de uși	1
Load capacity per door (kg.)	25
Număr de flanșe	1
Grosimea peretelui ușii (mm)	2
Ranforsarea ușii	Inclusă
Încuietore	2
Balamale	2
Tip flanșă	G
Lățime flanșă (mm)	500
Adâncime flanșă (mm)	190
Montaj pe peretele din spate	4
Culoare	Gri deschis
disipare (W)	-261,00
Furnitura include	Complete enclosure + mounting plate + gland plate + double bit key + accessory pack
Clasă de protecție	I
Standard produs	EN 62208

Dimension Drawing



Technical Details

Article number	Enclosure (mm)			Wall thickness (mm)		DR	Clearance depth D1	Door		Gland plates				Rear panel	Mounting plate (mm)		
	H	W	D	Corpus	Door	(mm)	(mm)	Number of locks	Number of hinges	WG (mm)	DG (mm)	Type	Pcs.	Number of fixings	HM	WM	DM
WSA5030210	500	300	210	1.2	1.2	-	195	2	2	200	115	A	1	4	475	250	12
WSA5040150	500	400	150	1.2	1.2	313	135	2	2	-	-	-	-	4	475	350	12
WSA5040210	500	400	210	1.2	1.2	313	195	2	2	300	115	B	1	4	475	350	12
WSA5040260	500	400	260	1.2	1.2	313	245	2	2	300	115	B	1	4	475	350	12
WSA5040300	500	400	300	1.2	1.2	313	285	2	2	300	190	C	1	4	475	350	12
WSA5050210	500	500	210	1.2	1.2	413	195	2	2	400	115	D	1	4	475	450	12
WSA5050300	500	500	300	1.2	1.2	413	285	2	2	400	190	E	1	4	475	450	12
WSA6040150	600	400	150	1.2	1.2	313	135	2	2	-	-	-	-	4	575	350	12
WSA6040210	600	400	210	1.2	1.2	313	195	2	2	300	115	B	1	4	575	350	12
WSA6040211	600	400	210	1.2	1.2	313	195	2	2	300	115	B	1	4	-	-	-
WSA6040260	600	400	260	1.2	1.2	313	245	2	2	300	115	B	1	4	575	350	12
WSA6040300	600	400	300	1.2	1.2	313	285	2	2	300	190	C	1	4	575	350	12
WSA6050150	600	500	150	1.2	1.2	413	135	2	2	-	-	-	-	4	575	450	12
WSA6050210	600	500	210	1.2	1.5	413	195	2	2	400	115	D	1	4	575	450	12
WSA6050260	600	500	260	1.2	1.5	413	245	2	2	400	115	D	1	4	575	450	12
WSA6050300	600	500	300	1.2	1.5	413	284	2	2	400	190	E	1	4	575	450	12
WSA6060305	600	500	300	1.2	1.5	413	284	2	2	400	190	E	1	4	-	-	-
WSA6060210	600	600	210	1.2	1.5	513	195	2	2	500	115	F	1	4	575	550	12
WSA6060300	600	600	300	1.2	1.5	513	284	2	2	500	190	G	1	4	575	550	12
WSA6060400	600	600	400	1.2	1.5	513	384	2	2	500	190	G	1	4	575	550	12
WSA6080300	600	800	300	1.2	2	713	284	2	2	300	190	C	2	4	575	750	12
WSA7050210	700	500	210	1.2	1.5	413	195	2	2	400	115	D	1	4	675	450	12
WSA7050260	700	500	260	1.2	1.5	413	245	2	2	400	115	D	1	4	675	450	12
WSA8040300	800	400	300	1.2	1.5	313	284	2	2	300	190	C	1	4	775	350	12
WSA8060210	800	600	210	1.5	2	513	195	2	2	500	115	F	1	4	775	550	12
WSA8060211	800	600	210	1.5	2	513	195	2	2	500	115	F	1	4	-	-	-
WSA8060260	800	600	260	1.5	2	513	245	2	2	500	115	F	1	4	775	550	12
WSA8060300	800	600	300	1.5	2	513	283	2	2	500	190	G	1	4	775	550	12
WSA8060305	800	600	300	1.5	2	513	284	2	2	500	190	G	1	4	-	-	-
WSA8060400	800	600	400	1.5	2	513	384	2	2	500	190	G	1	4	775	550	12
WSA8080210	800	800	210	1.5	2	713	195	2	2	300	115	B	2	4	775	750	12
WSA8080300	800	800	300	1.5	2	713	283	2	2	300	190	C	2	4	775	750	12
WSA1006260	1000	600	260	1.5	2	513	245	2	3	500	115	F	1	4	975	550	12
WSA1006300	1000	600	300	1.5	2	513	283	2	3	500	190	G	1	4	975	550	12
WSA1006400	1000	600	400	1.5	2	513	384	2	3	500	200	J	1	4	975	550	12
WSA1008260	1000	800	260	1.5	2	713	245	2	3	300	115	B	2	4	975	750	12
WSA1008300	1000	800	300	1.5	2	713	283	2	3	300	190	C	2	4	975	750	12
WSA1008400	1000	800	400	1.5	2	713	384	2	3	700	200	M	1	4	975	750	12

Tabel articole

Descriere	Cod comandă
Cutie metalică+contrapanou, o ușă IP66 ÎxLxA=800x600x300mm tablă metalică, RAL7035, cu contrapanou, cu 2x încuietoare standard dublu bit, cu o flanșă L=500 A=190mm, tip G	WSA8060300
Accesorii opționale	
Modular chassis 6-rows, 162 MW	WSAIE8060C
Piese pentru montaj mural cofrete WSA (4buc.)	WSAWB004
Tresă de împământare, L=260mm identică cu WTCUF260--	WSTCUF260
Flanșă adaptare WSA tip G, cu 2 deschideri de flanșă cu 2 deschideri de flanșas, pentru WSA6060300, WSA6060400, WSA8060300, WSA8060305, WSA8060400, WSA1006300 și WSA1206300	WSAVBF07
Placă trecere pentru WSTVBF, 17 treceri, IP55 9x18-30mm, 4x10-15mm, 4x5-10mm, include 4 șuruburi de fixare	WSTBT2117G
Placă trecere pentru WSTVBF, 25 treceri, IP55 1x20-26mm, 16x8-14mm, 4x14-20mm, 4x5-7mm, include 4 șuruburi de fixare	WSTBT2125G
Placă trecere pentru WSTVBF, 6 treceri, IP55 2x24-54mm, 1x30-59mm, 3x6-14mm, include 4 șuruburi de fixare	WSTBT2130G
Placă trecere pentru WSTVBF, 35 treceri, IP55 1x 17-32mm, 2x 12-18mm, 16x 10-14mm, 12x 7-12mm, 4x 6-10mm, include 4 șuruburi de fixare	WSTBT2135G
Placă trecere pentru WSTVBF, 50 treceri, IP55 49x7-13mm, 1x15-25mm, include 4 șuruburi de fixare	WSTBT2150G
Placă de trecere WSA cu spumă de cauciuc tip G Potrivite pentru WSA6060300, WSA6060400, WSA8060300, WSA8060305, WSA8060400 și WSA1206300	WSAMFROG
Cadru modular 6 rânduri x 27 mod., pe balamale, cu șine DIN Compatibil cu WSA8060210, WSA8060211, WSA8060260, WSA8060300, WSA8060305 și WSA8060400	WSAIE8060P
Plintă, Set față și spate 600x100mm RAL7012, 2 buc. în furnitură	ATSOB061
Plinte WSA set laterale A300 Î100 RAL7012	WSASOT031
Ușă transparentă pentru WSA Î=800 și L=600mm potrivită pentru WSA8060210, WSA8060211, WSA8060260, WSA8060300 și WSA8060400	WSAGD0806
Ușă interioară WSA pt. Î=800 și L=600mm potrivită pentru WSA8060210, WSA8060211, WSA8060260, WSA8060300, WSA8060305 și WSA8060400	WSAID8060
Încuietoare rotativă pt. semicil.+cheie, în loc de WSTL3532	IU001925
Încuietoare cu butuc 5333, inclusiv 2 chei	DV905333-A
Încuietoare cu butuc și cheie pentru WSA Produs similar: DV905333-A	WSSL3844-A
Profil pentru montare pe ușă pt. L=600mm și pentru WSA8012302 și WSA8012402, o bucată	WSACP0600

Tabel articole

Descriere	Cod comandă
Accesorii opționale	
Contact ușă pentru WSA, 6A/230V c.a., IP40 1 contact normal deschis (ND) și 1 contact normal închis (NÎ), din plastic	WSADSW01
Blocaj ușă pentru WSA, potrivit pentru toate dimensiunile	WSADSTP2
Profile 19" pentru WSA 12U, Î800 și L600mm 2 bucăți; Info: pentru asamblare este nevoie de un colțar WSARMP300- (D=300mm) sau WSARMP400- (D=400mm)	WSA1916U