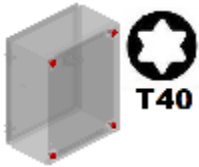


## ARTICLE NUMBER

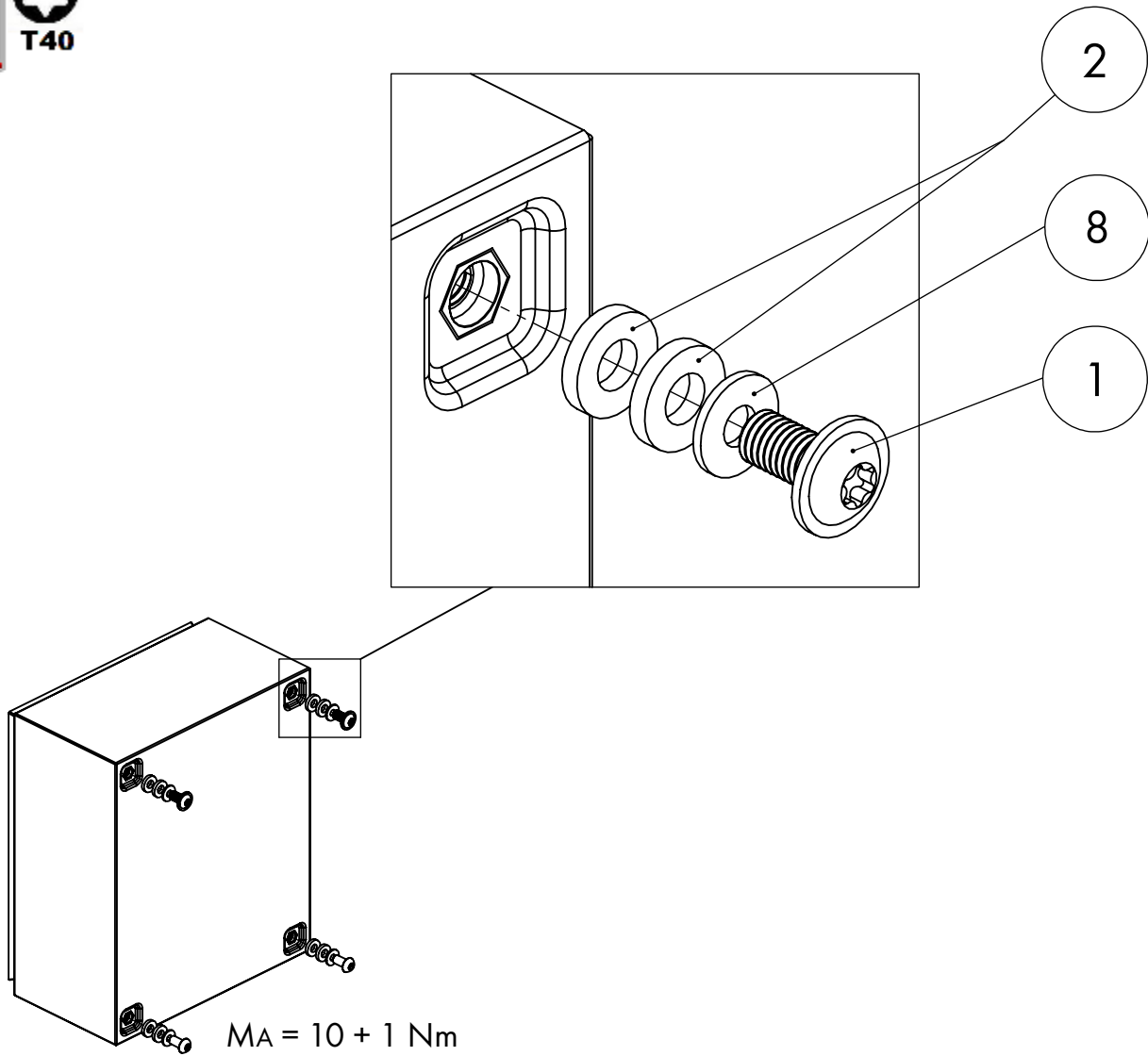
WSA3025150	WSA6050305
WSA3025210	WSA6060210
WSA3030150	WSA6060300
WSA3030210	WSA6060400
WSA3040150	WSA6080300
WSA3525150	WSA6080302
WSA4030150	WSA7050210
WSA4030210	WSA7050260
WSA4040210	WSA8040300
WSA4050210	WSA8060210
WSA4060210	WSA8060211
WSA5030210	WSA8060260
WSA5040150	WSA8060300
WSA5040210	WSA8060305
WSA5040260	WSA8060400
WSA5040300	WSA8080210
WSA5050210	WSA8080300
WSA5050300	WSA1006260
WSA6040150	WSA1006300
WSA6040210	WSA1006409
WSA6040211	WSA1008260
WSA6040260	WSA1008300
WSA6040300	WSA1008409
WSA6050150	WSA1206300
WSA6050210	WSA1206409
WSA6050260	WSA1208300
WSA6050300	-

**This product is an empty enclosure for low voltage switch gear applications with maximum rated voltage 1000V AC or 1500V DC for indoor use**





### GASKET AND BOLT ASSEMBLY



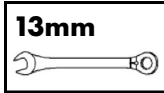
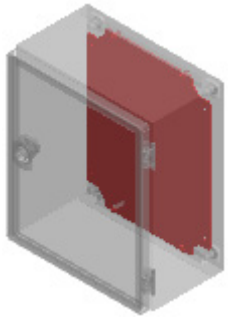
### SUPPLY INCLUDES

No.			Pcs.	No.			Pcs.
1		M8x16mm	4	7		M8	1
2		Gasket Ø16x8mm	8	8		Flat Washer M8	5
3		M6	S: 2 D: 4	9		Sticker	S: 3 D: 5
4		M6	S: 2 D: 4	10		Grounding Claw	S: 1 D: 2
5		M8x15mm	1	11		Double-bit Key	1
6		M4.8x9.5mm	**				

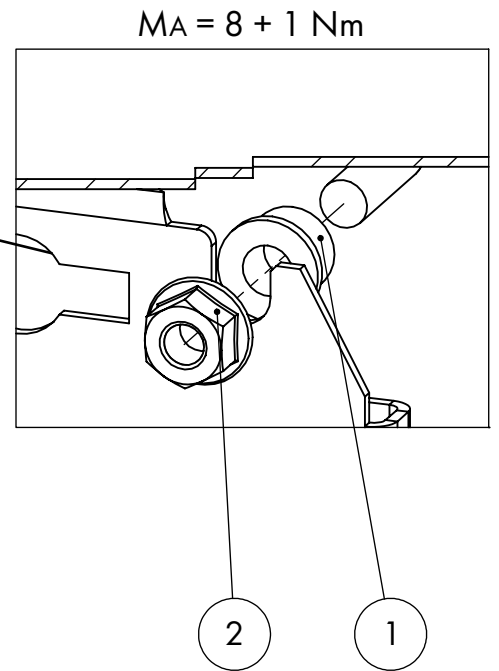
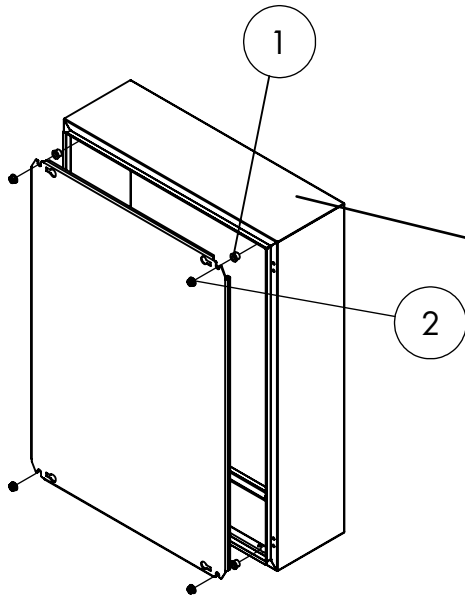
S=Single Door

D=Double Door

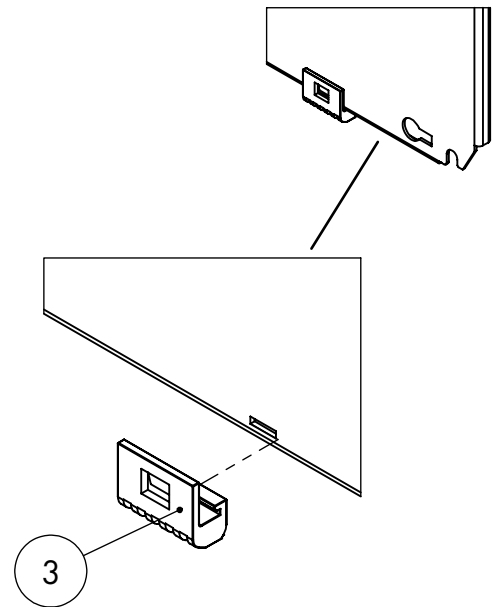
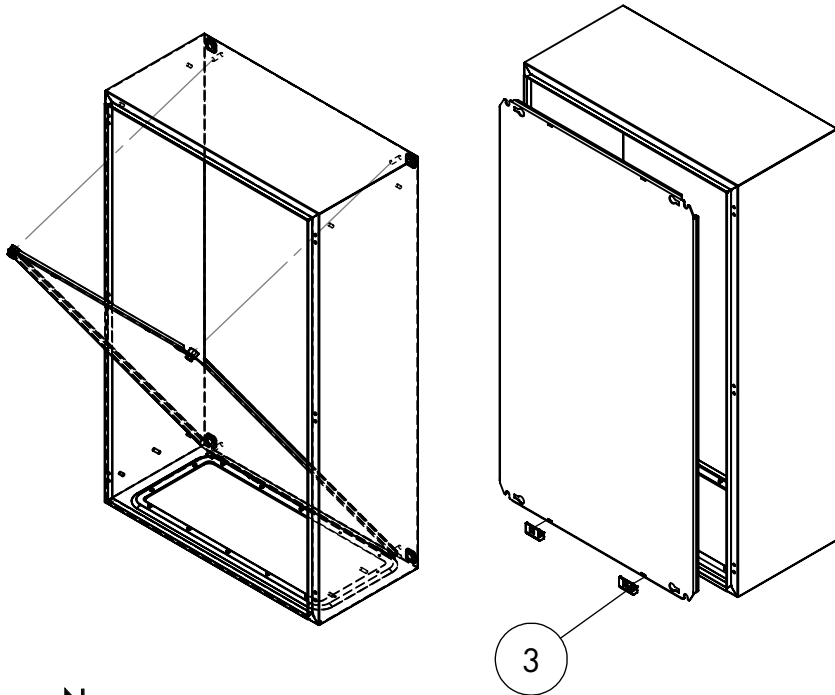
\*\*=The Number of Parts Changes According to the Enclosures Size



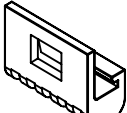


**MOUNTING PLATE ASSEMBLY**



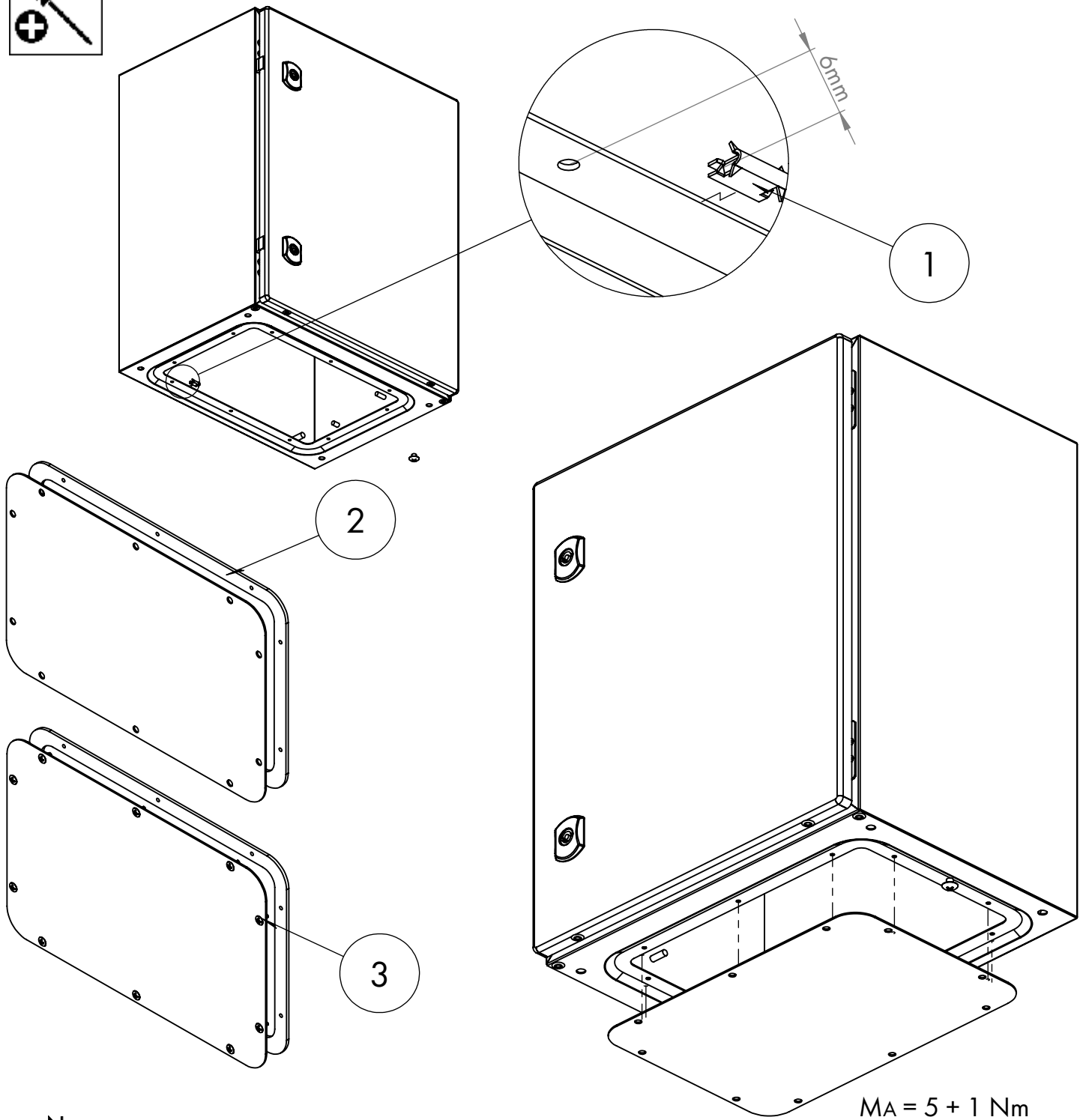
**From a Height of 1000mm**

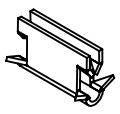
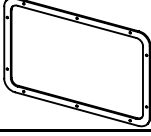



No.		
1		M8x11mm
2		M8
3		Mounting Plate Supporter

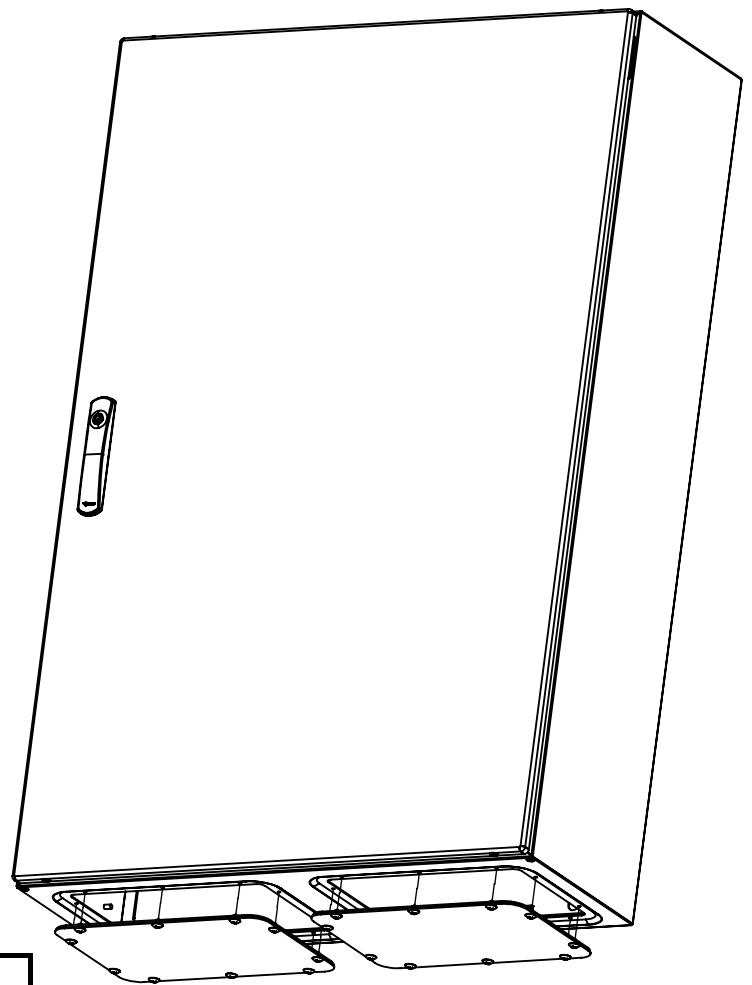
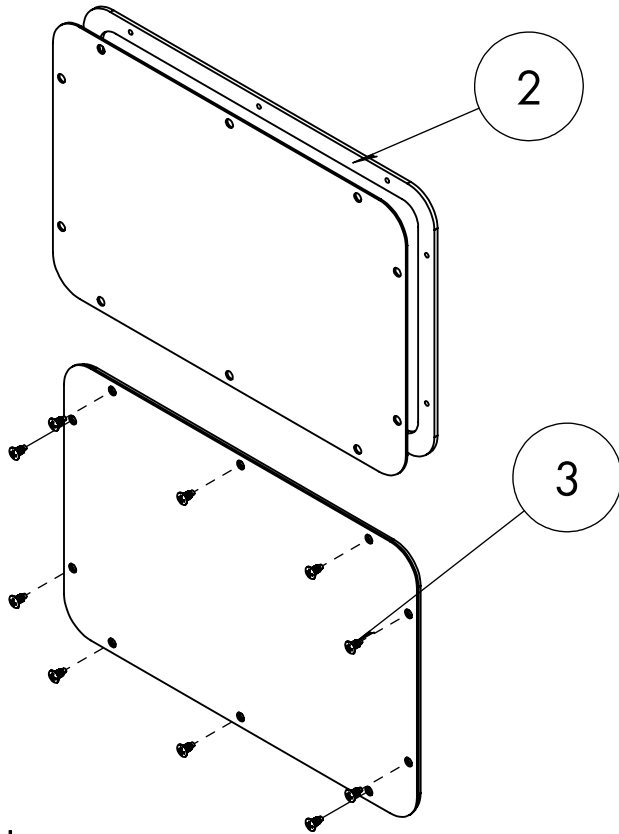
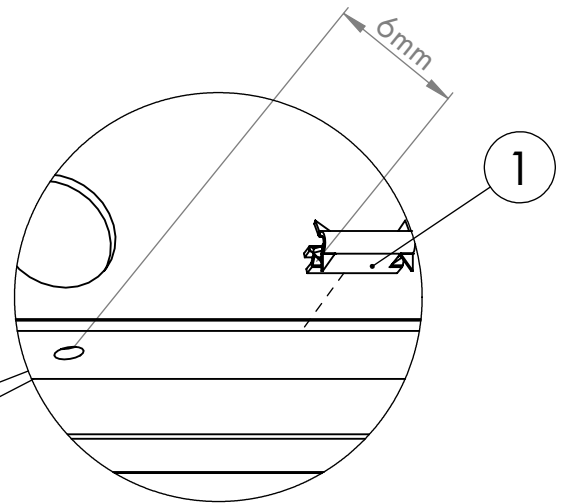
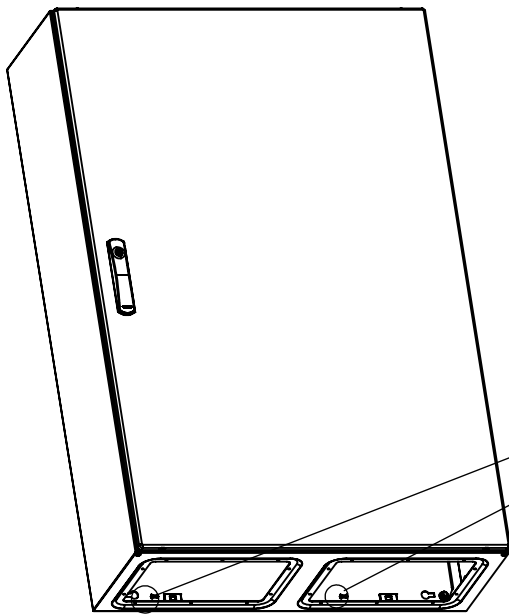


**GLAND PLATE ASSEMBLY**

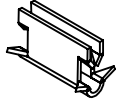
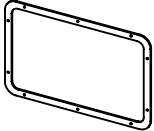



No.		
1		Grounding Claw
2		Gasket
3		M4.8x9.5mm

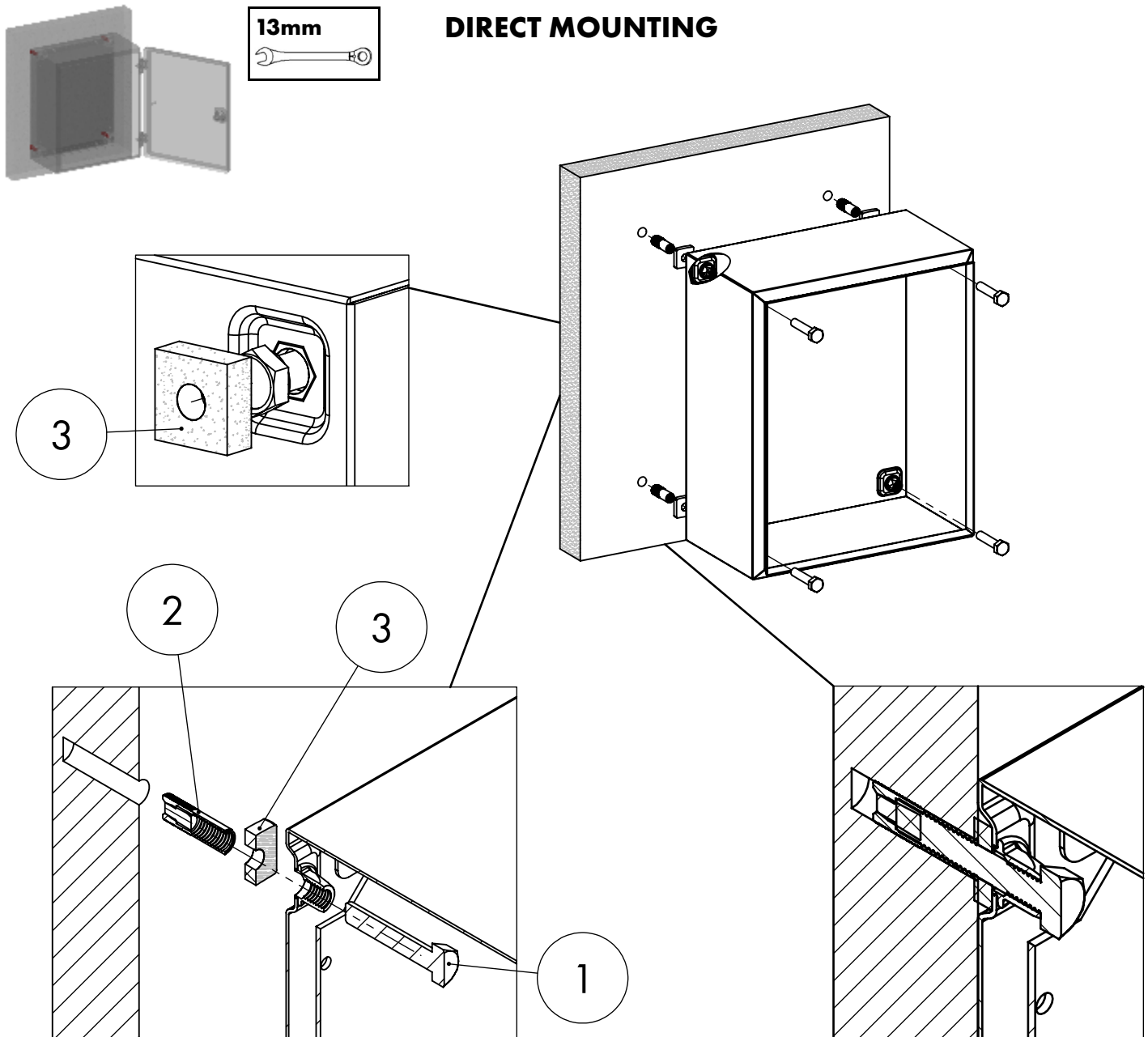
**GLAND PLATE ASSEMBLY**



MA = 5 + 1 Nm

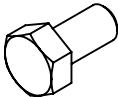

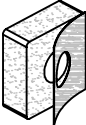
No.		
1		Grounding Claw
2		Gasket
3		M4.8x9.5mm

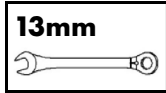
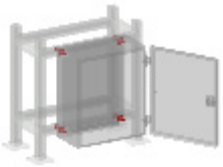
**DIRECT MOUNTING**



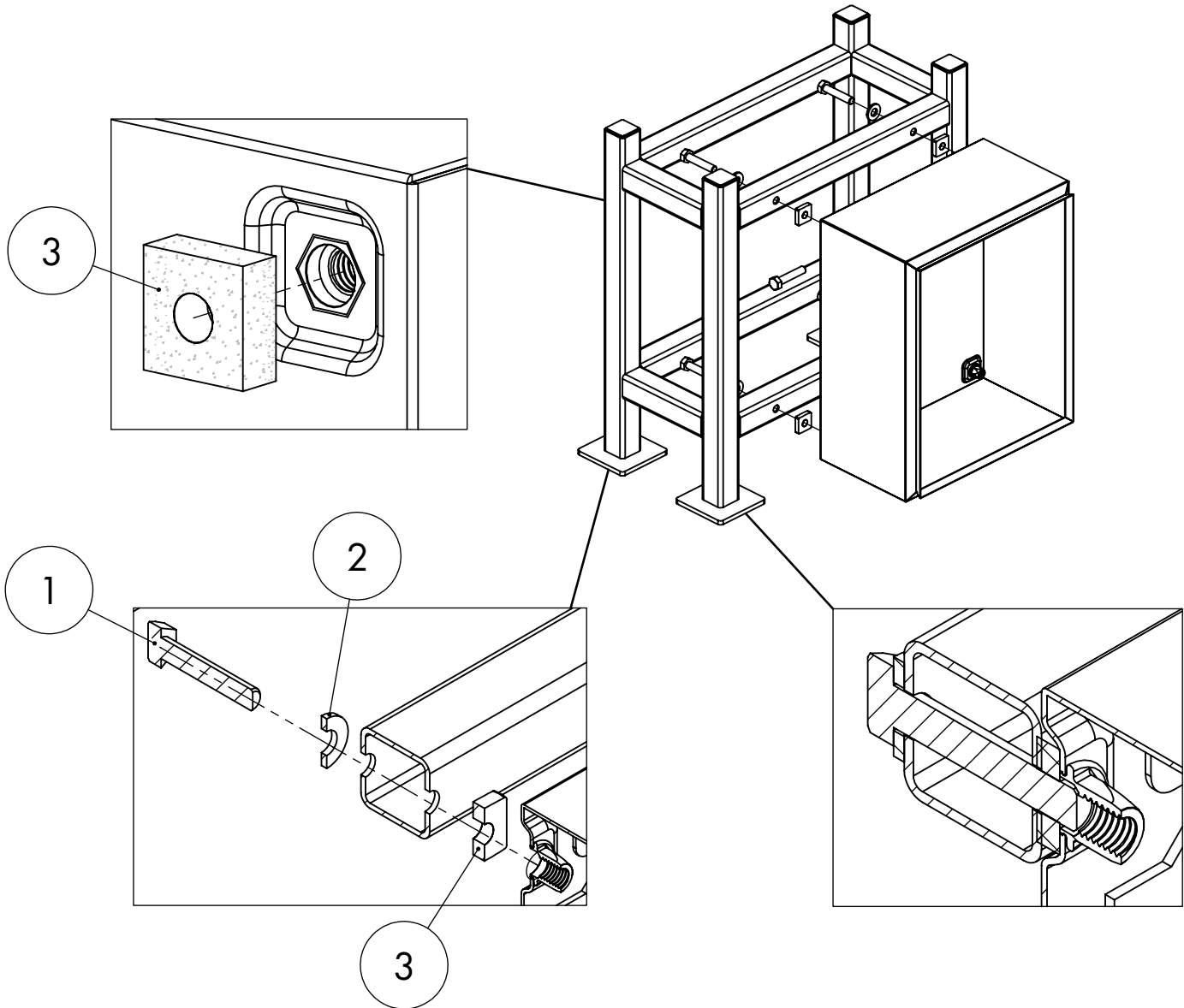
MA = 10 + 1 Nm

**i** RECOMMENDED PARTS (Not Included in Supply!)

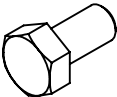

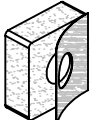
No.			Pcs.
1		M8	4
2		Steel Dowel M8	4
3		Adhesive Gasket	4



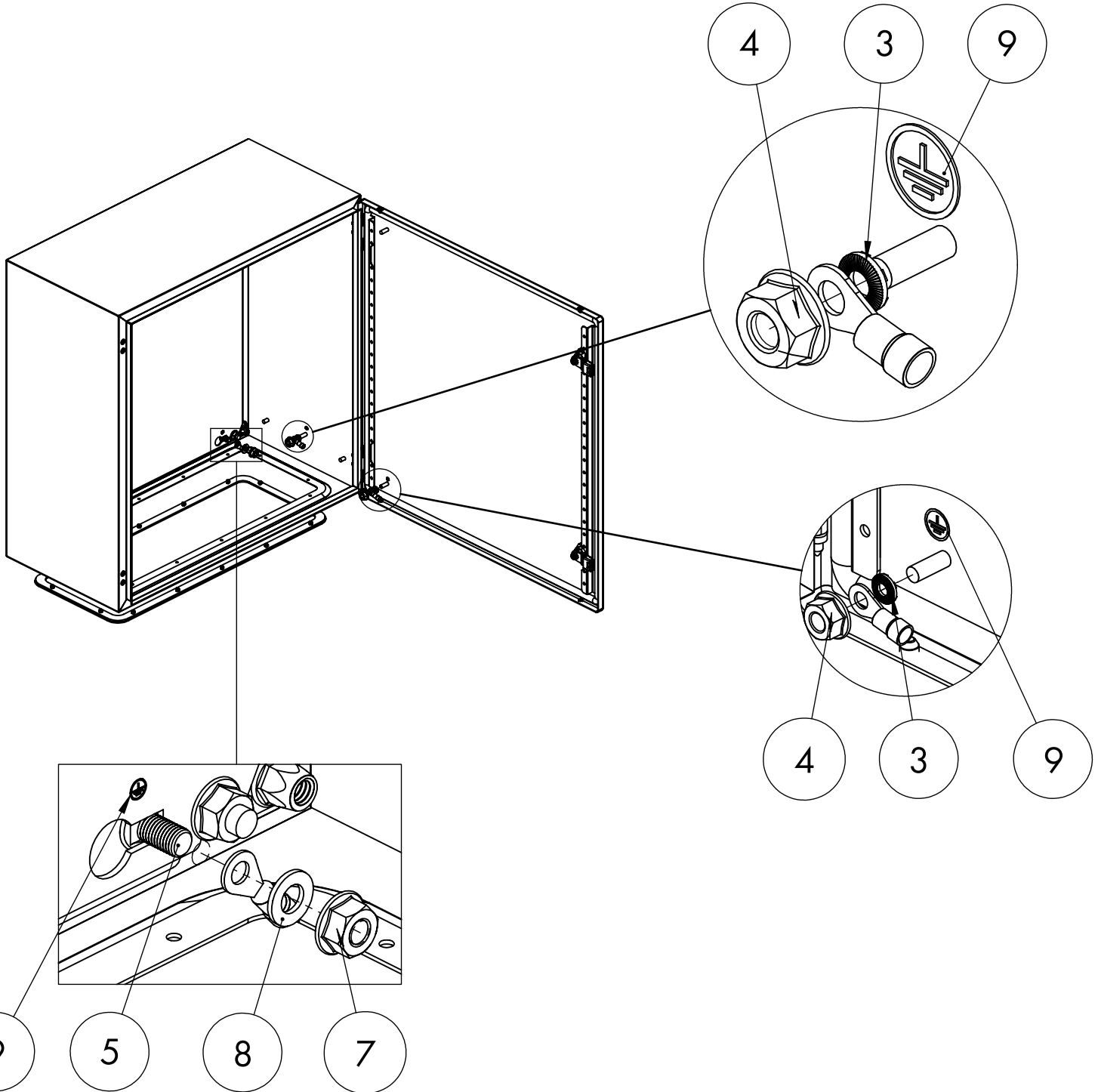
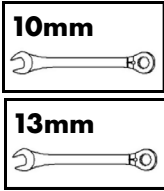
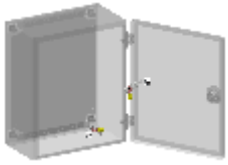
**ASSEMBLY TO PROFILE CONSTRUCTION**



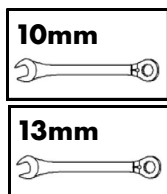
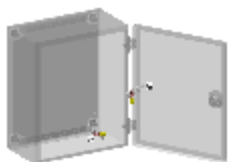
**i** **RECOMMENDED PARTS (Not Included in Supply!)**

No.			Pcs.
1		M8	4
2		Flat Washer M8	4
3		Adhesive Gasket	4

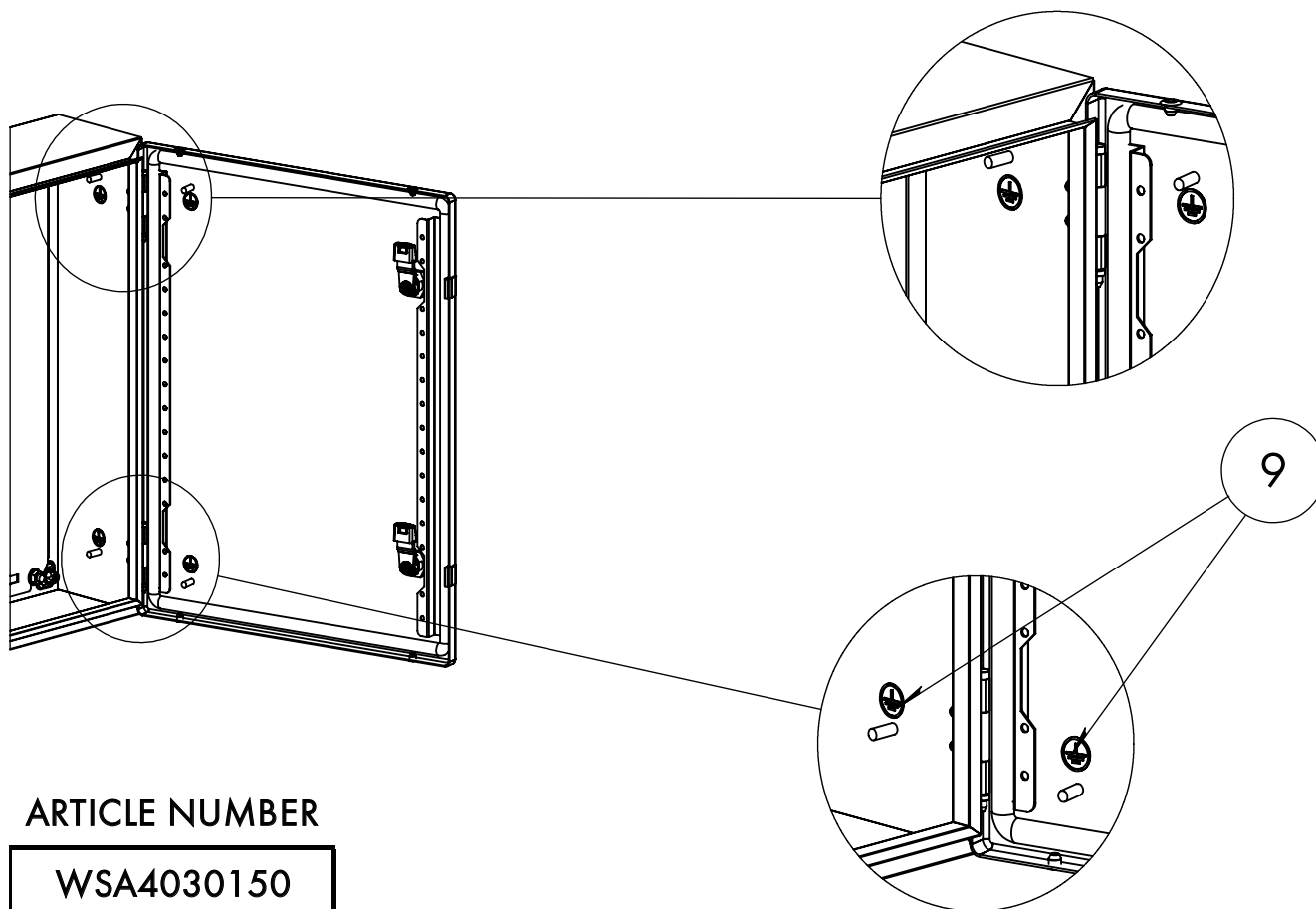
**EARTHING SYSTEM**







## EARTHING SYSTEM



### ARTICLE NUMBER

WSA4030150

WSA5040150

WSA6040150