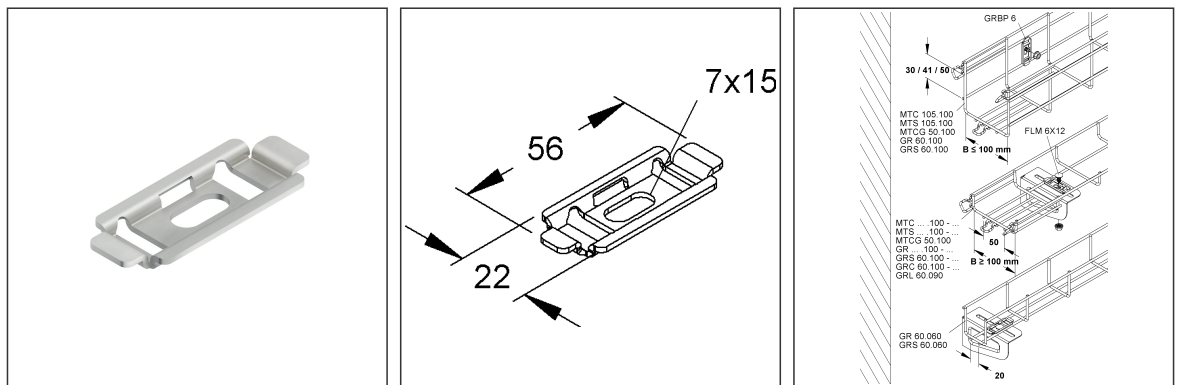


Wire Mesh Tray Fastening Plate

GRBP 6 S

EAN Code: 4013339936953
 Smallest packaging unit: 50 pcs.



Article Description

Wire mesh tray fastening plate, steel, pre-galvanised according to DIN EN 10346

Additional Price Information

Article group	N13
quantity unit	pcs.

Weight

Weight per quantity unit	11 g / pcs.
Weight in kg per 100	1,05 kg / 100pcs.

Physical Article Dimensions

Height	4.50 mm
Width	22.00 mm
Depth/length	56.00 mm

Technical Datasheet

Wire Mesh Tray System

GRBP 6 S

Packing Dimension

50 pieces = 1		✓ VP1-smallest packaging unit (PU)		✓ VP1-preferred PU	
Lenght	106.00 mm	Width	91.00 mm	Height	72.00 mm
Gross weight	0,56 kg	Volume	0,001 m ³		
Min. quantity	50.00 pcs.	Max. Quantity	50.00 pcs.		
500 pieces = 1 covering box					
Lenght	376 mm	Width	186.00 mm	Height	110.00 mm
Gross weight	5,74 kg	Volume	0,008 m ³		
Min. Quantity	500.00 pcs.	Max. Quantity	500.00 pcs.		
10500 pieces = 1					
Lenght	750 mm	Width	750 mm	Height	730 mm
Gross weight	161 kg	Volume	0,411 m ³		
Min. Quantity	10.500.00 pcs.	Max. Quantity	10.500.00 pcs.		

Tender Text

Wire mesh tray mounting plate, for wall/bottom and bracket mounting of wire mesh trays, for wall mounting for wire mesh trays with a width ≤ 100 mm and at least two lateral longitudinal wires, for bottom/bracket mounting in transverse direction for wire mesh trays with a width ≥ 100 mm and at least two longitudinal wires in the bottom with a central distance of 50 mm and for bottom/bracket mounting in longitudinal direction with at least two longitudinal wires in the bottom with a central distance of 20 mm. Fastening accessories must be ordered separately depending on the application.

VDE certified!

Use wall fastening : GR 60.100

GRS 60.100

MTC 105.100

MTS 105.100

MTCG 50.100

Use bottom/bracket fastening in transverse direction :

all Niedax wire mesh trays and MTC100 - ..., MTS... .100 - ... and MTCG 50.100 with the exception of GR 40.040, GRC 60.060 and GRCI 50.050 - 300

Use bottom/bracket fastening in longitudinal direction :

GR 60.060

GRS 60.060

Use of ceiling fastening : MTCG 50.100

Use of ceiling suspension : Connection MTCT 100 with ceiling luminaire

Use of ceiling, wall, floor fastening : MCH 8.20

Dimensions (approx. dimensions) : 56 x 22 mm

Fastening holes : 7 x 15 mm

Material : Steel, pre-galvanised acc. to DIN EN 10346

NIEDAX Model No. : GRBP 6 S

EP Material _____ EP Wage _____

Unit price/piece

Technical Datasheet

Wire Mesh Tray System

GRBP 6 S

Safety & Environment

REACH Date	10.06.2022
REACH Info	Conformable
RoHS Info	Conformable

Origin & International Trade

Country of origin	DE
Customs tariff number	73089059