

CERTIFICATE

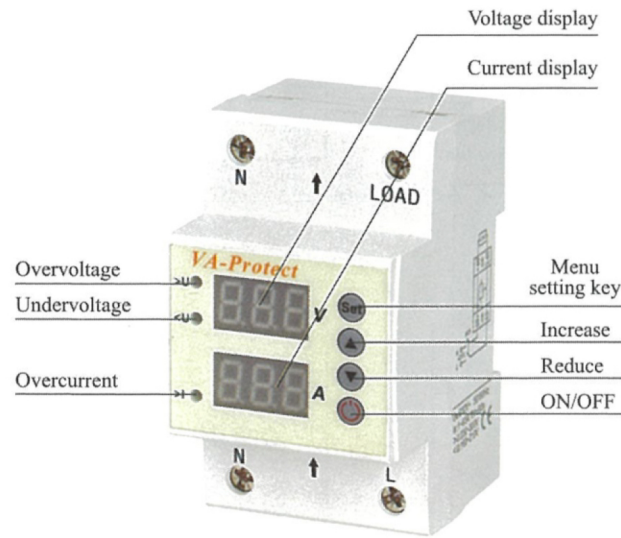
This product has been tested
and proved to be qualified
for delivery

Intelligent over and under
voltage protector

Inspector:6

Date of manufacture:See the
label on the box

Intelligent over and under voltage protector operating instruction



1. Technical data

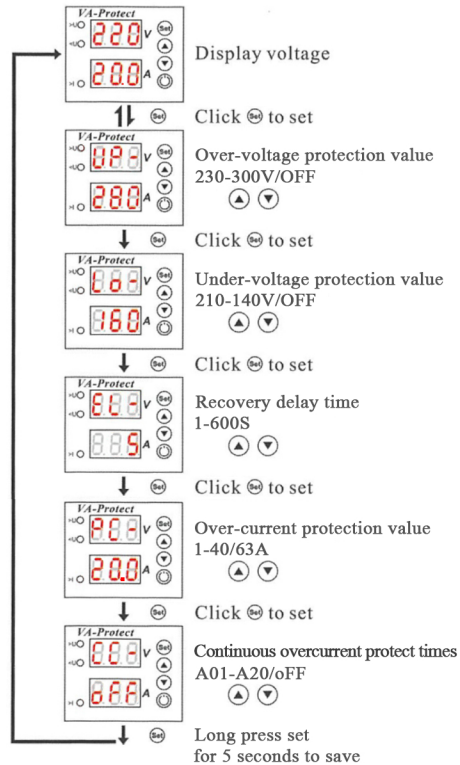
Rated supply voltage	AC 220V
Operation voltage range	AC 80V~400V(single phase)
Rated frequency	50/60Hz
Electric current(>A)setting range	1~40/63A
Overvoltage(>U)setting range	230~300V
Undervoltage(<U)setting range	210~140V
Rated current	40/63A(subject to product label)
>U and <U trip delay	0.5S
Reset/start delay	1~600S
Voltage measurement accuracy	3%(Not exceeding 3% of the overall range)
Rated insulation voltage	400V
Output contact	1NO
Electrical life	10 ³
Mechanical life	10 ⁶
Protection degree	Ip20
Pollution degree	3
Altitude	≤2000m
Operatintg temperature	-50℃~55℃
Humidity	≤50%at40℃ (without condensation)
Storage temperature	-30℃~70℃

2. Default setting

Technical parameter	Setting range	Step	Factory setting
Over-voltage protection value	230~300V	1V	280V
Under-voltage protection value	210~140V	1V	160V
Over-current protection value	1~40/63A	0.1A	40/63A
Recovery delay time	1~600S	1S	5S
Continuous overcurrent protect times	A01~A20/oFF	A01	oFF

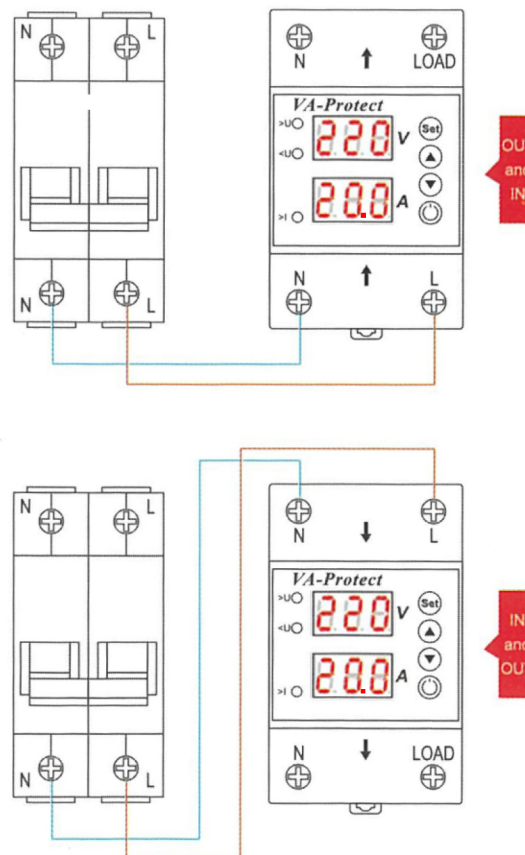
Current specification	15A	25A	32A	50A	63A
Rated operating current (In, A)	15	25	32	50	63
Maximum operating current Imax (A, within 10min)	25	30	40	60	80
Max. power of load (kW)	3.6	5.5	7	11	13.9

3.Function setting



To adjust the figure quickly by long
time press the add or subtract key

4.Product wiring diagram



5.Wiring and shape dimensions

