

Mini Cable Tray Cover

with joint strip and pre-assembled twist-lock fasteners

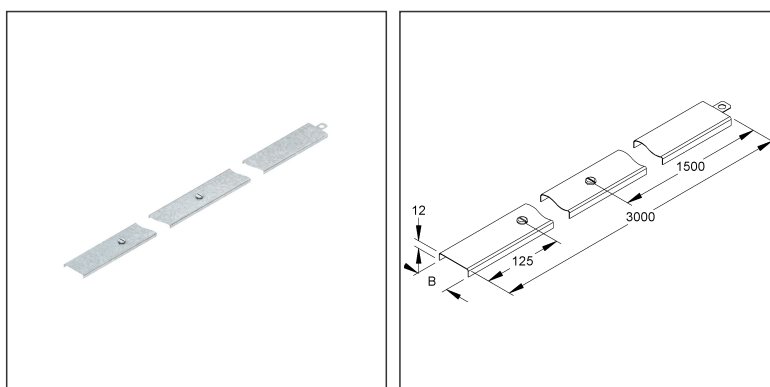
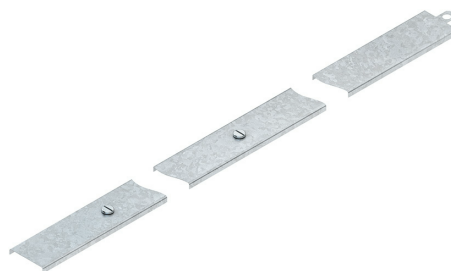
RDV 50 F

EAN Code: 4013339263400

Smallest packaging unit: 2 x 3 m

quantity unit: m M

the photorealistic images are to be considered as reference images



Article Description

Mini-cable tray cover with joint strip, 52x3000 mm, steel, hot dip galvanised DIN EN ISO 1461

Additional Price Information

Article group	N13
quantity unit	m

Weight

Weight per quantity unit	485 g / m
Weight in kg per 100	48 kg / 100m

Physical Article Dimensions

Height	15.50 mm
Width	53.50 mm
Depth/length	3020 mm

Technical Datasheet

Cable Tray System

RDV 50 F

the photorealistic images are to be considered as reference images

Packing Dimension

6 meters = 1 bundle		✓ VP1-smallest packaging unit (PU)		✓ VP1-preferred PU	
Lenght	3020 mm	Width	59.00 mm	Height	21.00 mm
Gross weight	2,91 kg	Volume	0,004 m³		
Min. quantity	6.00 m	Max. Quantity	6.00 m		

1410 meters = 1 rack			
Min. Quantity	1.410.00 m	Max. Quantity	1.410.00 m

Tender Text

Mini-cover for cable tray, with joint strip to reduce deflection at the cover joint, protection against penetration of dirt and increase stability with the adjacent cover, with captive premounted turning bolt fasteners. Due to external influences, such as wind loads, outdoor use is only possible with an additional protection (self-tapping screws, steel band etc.). For additional requirements, turning bolt RDRS 9 F and cover retaining spring RDHF 9 E2 can be used. Use for : mini-cable trays RL 35... F and RL 50... F Dimensions (approx. dimension) B (inside) : 52 mm
 Delivery length L : 3000 mm
 Material : steel, hot-dip galvanised acc. to DIN EN ISO 1461
 NIEDAX Model No. : RDV 50 F
 EP material_____ EP wage_____
 Unit price/meter

Safety & Environment

REACH Date	23.01.2024
REACH Info	Conformable
RoHS Info	Conformable

Origin & International Trade

Country of origin	DE
Federal State of Origin	RP
Customs tariff number	73089059