

ARTICLE NUMBER

WKT2020150

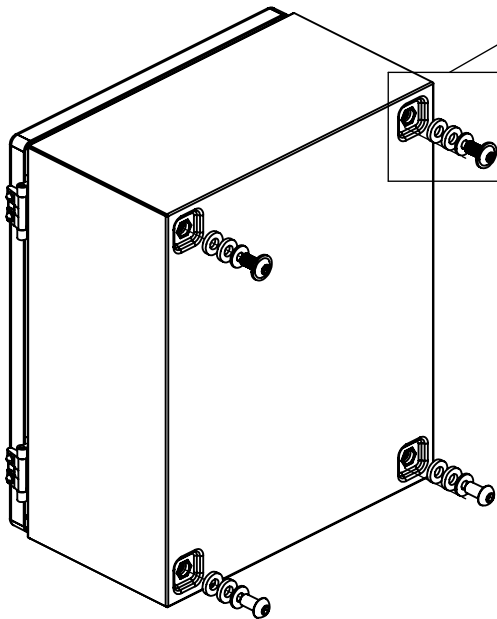
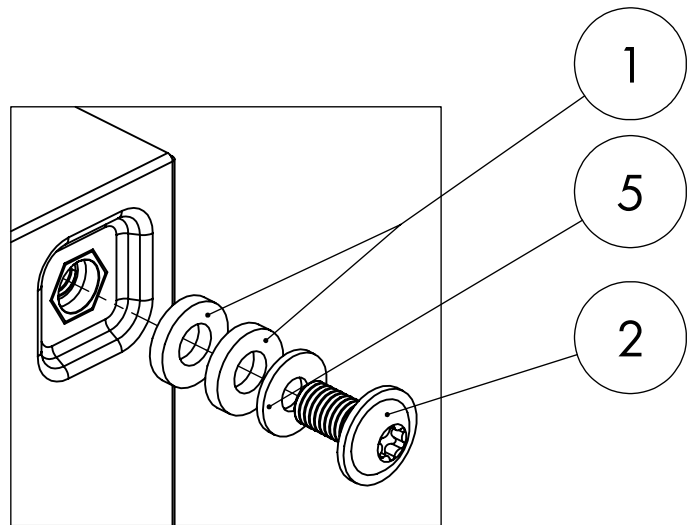
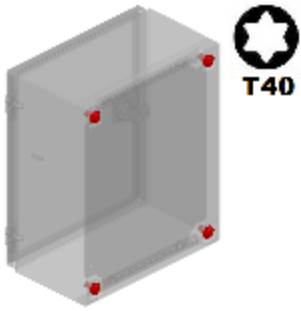
WKT2520150

WKT2525150

This product is an empty enclosure for low voltage switch gear applications with maximum rated voltage 1000V AC or 1500V DC for indoor use



GASKET AND BOLT ASSEMBLY

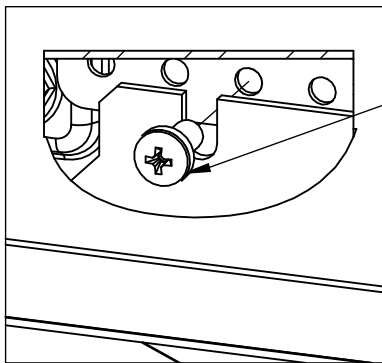
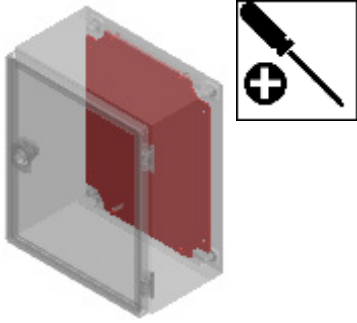


MA = 10 + 1 Nm

SUPPLY INCLUDES

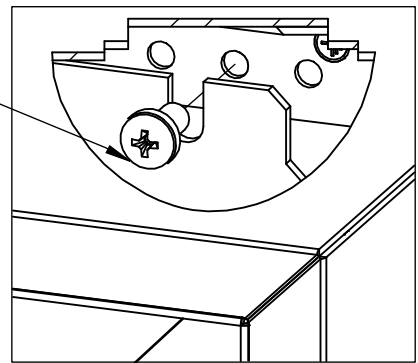
No.			Pcs.	No.			Pcs.
1		Gasket Ø16x8mm	8	6		M5x10mm	5
2		M8x16mm	4	7		M6	1
3		TYPE S Ø5.2	1	8		M6	1
4		Double-bit Key	1	9		Sticker	2
5		Flat Washer M8	4				

MOUNTING PLATE ASSEMBLY



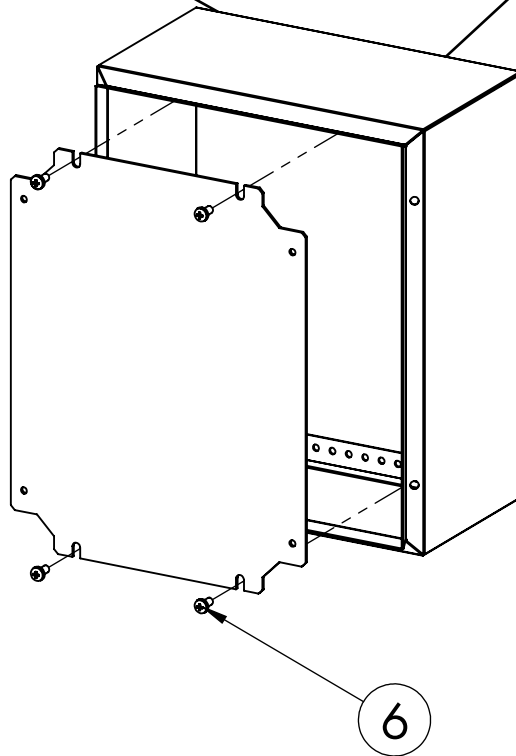
6

MA = 5 + 1 Nm



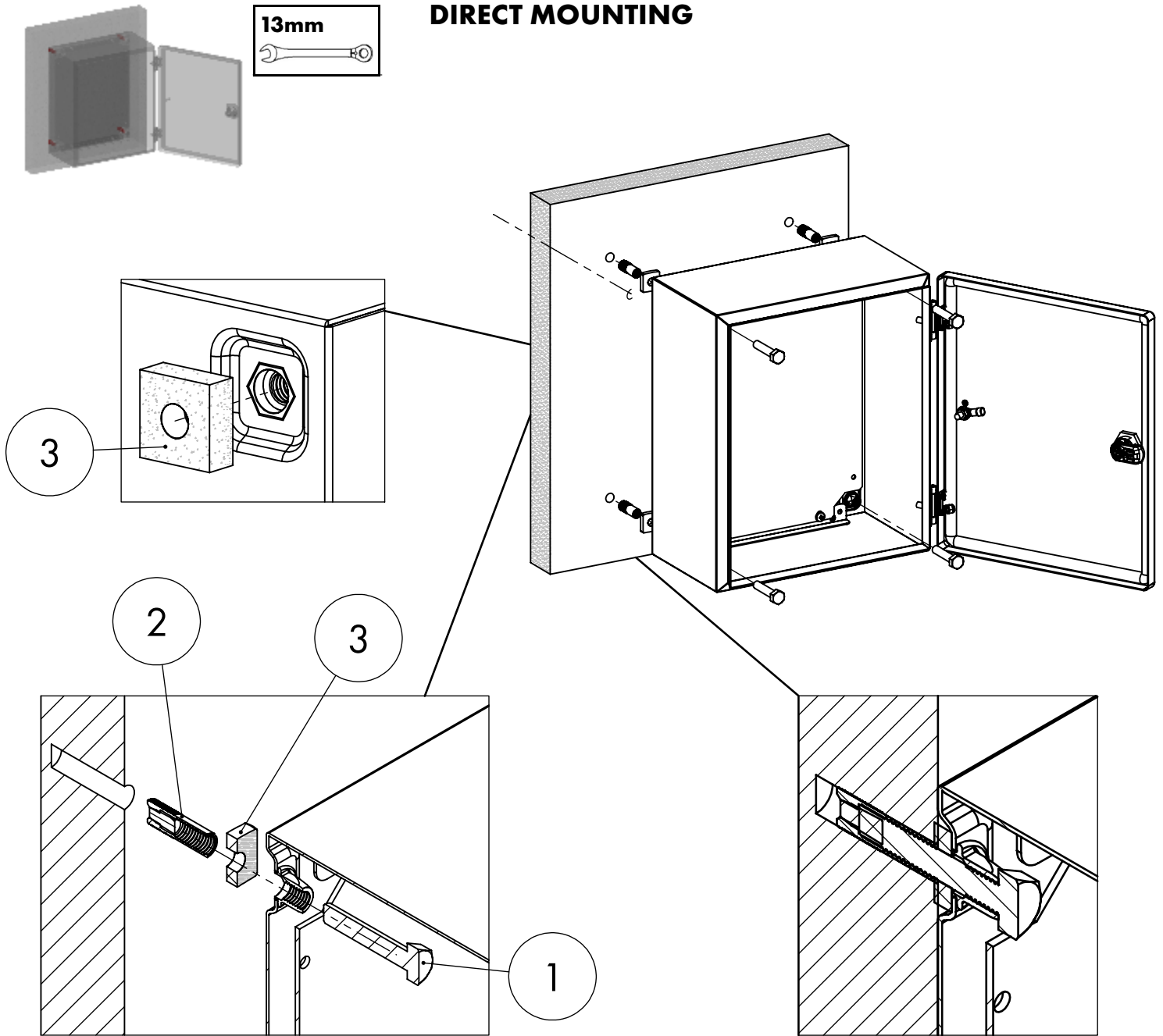
6

MA = 5 + 1 Nm



6

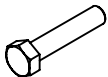

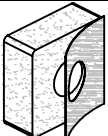
DIRECT MOUNTING

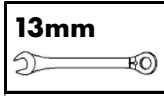
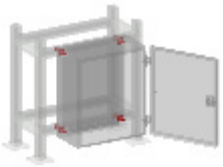


MA = 10 + 1 Nm

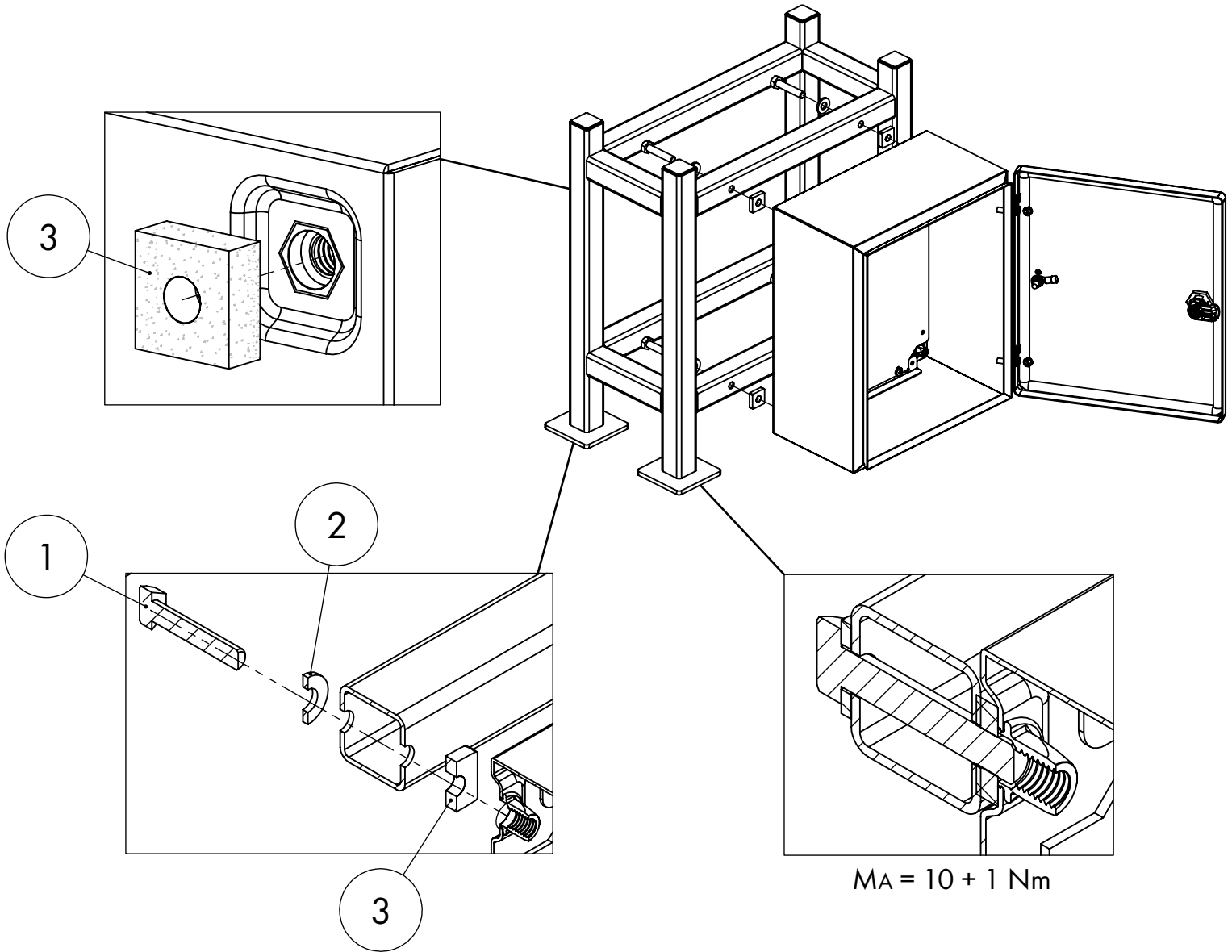


RECOMMENDED PARTS (Not Included in Supply!)

No.			Pcs.
1		M8	4
2		Steel Dowel M8	4
3		Adhesive Gasket	4

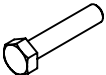

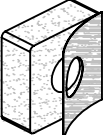


ASSEMBLY TO PROFILE CONSTRUCTION



MA = 10 + 1 Nm

i **RECOMMENDED PARTS (Not Included in Supply!)**

No.			Pcs.
1		M8	4
2		Flat Washer M8	4
3		Adhesive Gasket	4

EARTHING SYSTEM

