

Date tehnice pentru produs: WKT2020150

Cutie metalică+contrapanou, o uşă IP66

ÎxLxA=200x200x150mm

tablă metalică, RAL7035, cu contrapanou, cu 1x încuietoare standard dublu bit



SCHRACK-Info

- **Material:** Robust, cross-shaped construction which is welded from a cold-pressed sheet steel plate regardless on the enclosure size. The enclosure consists of two parts: corpus and door
- **Sheet steel thickness corpus:** 1.2mm
- **Door:** Made of sheet steel and equipped with M6 threaded bolts for earthing
 - Sheet steel thickness: 1.2mm
 - The door is secured with two external hinges and has an opening angle of 180°
 - The doors have a polyurethane foam seal to ensure the IP degree of protection
- **Lock:** Single door with 1x sash lock 5mm double-bit
- **Mounting plate:**
 - 2mm galvanised sheet steel
 - The mounting plate is installed on bottom profiles inside the enclosure and can be removed for assembly and wiring
- **Mounting:**
 - The enclosure can be mounted directly to the wall with wall-mounting brackets WSAWB004, the degree of protection is maintained
 - Alternatively, the enclosure can be mounted directly on the desired mounting surface using screws (pay attention to the degree of protection!)
 - The four M8 diameter wall-mounting holes are arranged in the corners of the rear panel
- **Outdoor installation:**
 - Enclosures and accessories of WKT series meet the requirements of standard IEC 62208 for metal enclosures that allow outdoor installation
 - The standard IEC 62208 allows a certain degree of oxidation Ri1 according to ISO 4628-3 and in practice this degree of oxidation does not affect the functionality and mechanical solidity of the enclosure. The implementation of maintenance to avoid aesthetic deterioration and to prolong its useful life is recommended (see below)
 - Corrosion protection for the entire enclosure is recommended
- **Degree of protection:** Single door IP66

- **Impact protection:** IK10
- **Finish:** Iron phosphate and electrostatic powder coating
- **Color:** RAL 7035 (Light grey)
- **Supply includes:**
 - Enclosure
 - One key DIN 5mm
 - One mounting plate with mounting material
 - Earthing possibilities are given

Maintenance recommendations for sheet steel wall-mounted enclosures outdoor:

- Enclosures and accessories of WKT and WSA series meet the requirements of standard **IEC 62208** for metal enclosures that allow outdoor installation
- The standard IEC 62208 allows a certain degree of **oxidation Ri1** according to **ISO 4628-3** and in practice this degree of oxidation does not affect the functionality and mechanical solidity of the enclosure. The implementation of maintenance to avoid aesthetic deterioration and to prolong its useful life is recommended
- **Interval:** Annually
- **Visual inspection:** Detection of any harm to the surface such as scrapes or impacts that could have damaged the paint coating
- **Initial signs of rust:** Due to scrapes, impacts or any other causes
 - Remove the surface rust
 - Abrade the surface rust to get rid of it completely
- **Cleaning:** Clean the affected area with alcohol or an evaporating cleaner
- **Paint:** Paint the affected surface with a synthetic paint (RAL 7035)
 - We recommend our grey textured paint color RAL 7035, Art.-nr. IU008106

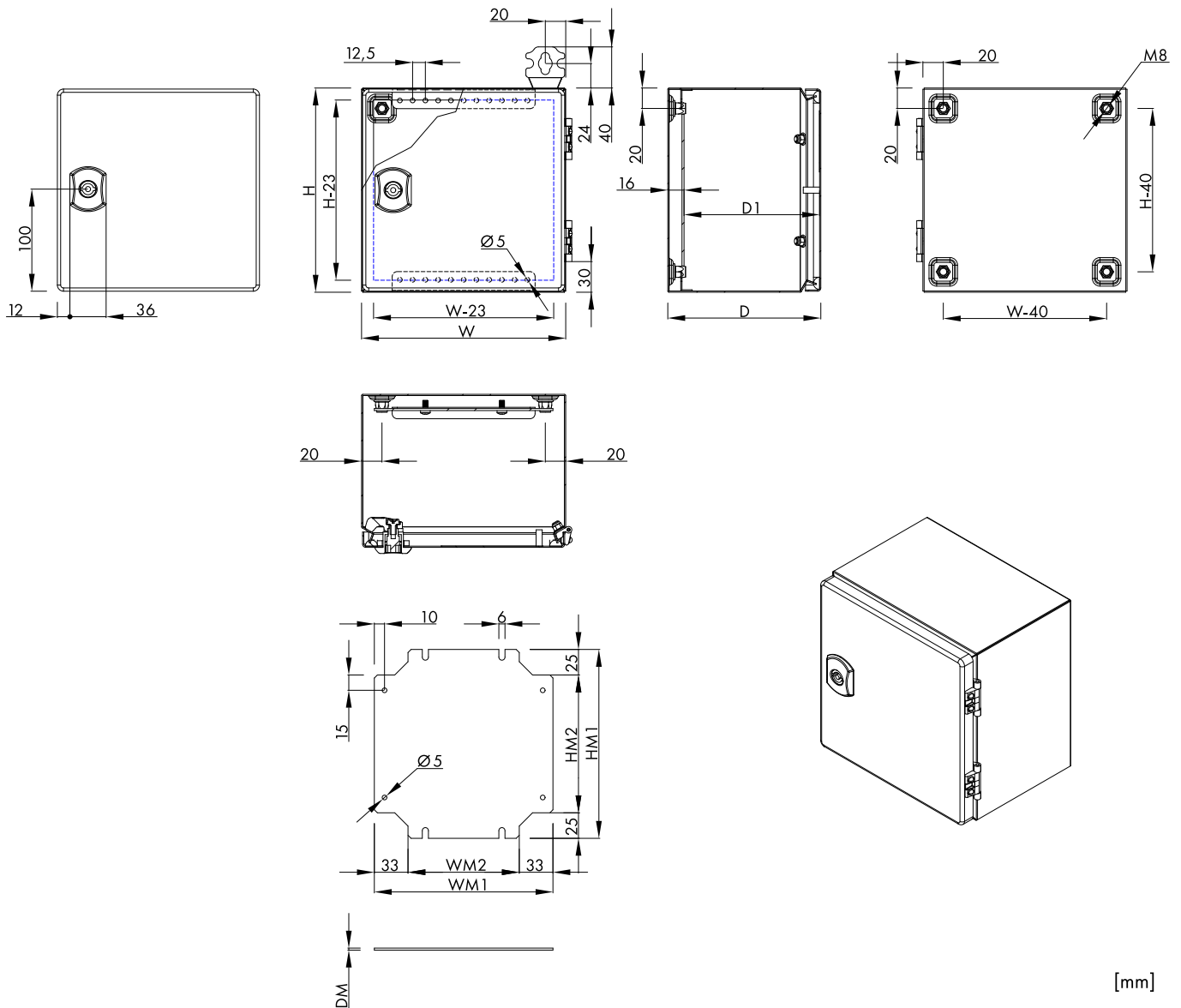
Fișe tehnice

Lățime netă (mm)	200,00
Înălțime (mm)	200,00
Adâncime netă (mm)	150,00
Masă netă (kg.)	3,29
Temperatura minimă a mediului ambiant (°C)	-40
Temperatura maximă a mediului ambiant (°C)	100
Categorie produs	Wall-mounted Enclosure Sheet Steel
Total Load Capacity (kg.)	12
Grosimea peretelui corpului (mm)	1,20
Grad de protecție	IP66
Contrașpanouri	galvanized sheet steel 2mm
Mounting Plate Load Capacity (kg.)	10
Grosimea peretelui contrașpanoului (mm)	2
Înălțimea contrașpanoului (mm)	185
Lățimea contrașpanoului (mm)	175
Număr de uși	1
Load capacity per door (kg.)	2

Fișe tehnice - Continuare

Număr de flanșe	-
Grosimea peretelui ușii (mm)	1,20
Ranforsarea ușii	Nu
Încuietoare	1
Balamale	2
Montaj pe peretele din spate	4
Culoare	Gri deschis
disipare (W)	-29,00
Furnitura include	Complete enclosure + mounting plate + double bit key + accessory pack
Clasă de protecție	I
Standard produs	EN 62208

Dimension Drawing



[mm]

Tabel de date: Cutie metalică+contrapanou, o ușă IP66 ÎxLxA=200x200x150mm

Codcomandă	Cutie (mm)			Grosime tablă (mm)		Adancime Utiliz. A1	Ușă		Flanșe	Perete spate	Placă de montaj (mm)				
	Î	L	A	Corp	Ușă	(mm)	Număr de Zăvoare	Balamale	Bucată	Gauri Fixare	Î1	Î2	I1	I2	G
WKT2020150	200	200	150	1,2	1,2	133	1	2	-	4	185	135	175	109	2
WKT2520150	250	200	150	1,2	1,2	133	1	2	-	4	235	185	175	109	2
WKT2525150	250	250	150	1,2	1,2	133	1	2	-	4	235	185	225	159	2

Tabel articole

Descriere	Cod comandă
Cutie metalică+contrapanou, o ușă IP66 ÎxLxA=200x200x150mm tablă metalică, RAL7035, cu contrapanou, cu 1x încuietoare standard dublu bit	WKT2020150
Accesorii opționale	
Piese pentru montaj mural cofrete WSA (4buc.)	WSAWB004
Tresă de împământare, L=260mm identică cu WTCUF260--	WSTCUF260
Garnitură trecere pentru 6 cabluri, 28mm (pachet de 10 buc) 3x 3,4mm, 3x 5-9mm	WSTCEG2806
Garnitură trecere pentru 10 cabluri, 40mm (pachet de 10 buc) 3x 5-14mm, 7x 2-7mm	WSTCEG4010
Garnitură trecere pentru 7 cabluri, 50mm (pachet de 5 buc) 7x 6-13mm	WSTCEG5007
Garnitură trecere pentru 8 cabluri, 50mm (pachet de 5 buc) 2x 3-7mm, 1x 12-21mm, 1x 7-15mm, 4x 4-10mm	WSTCEG5008
Insert tip pătrat 8 mm pentru încuietoare WST Cheie asociată = DV903525--	WSTL3525
Insert tip triunghi 9 mm pentru încuietoare WST associated key = DV903529	WSTL3529