

# MX Moulded Case Circuit Breaker

## User instructions

### ■ Safety Warning

- 1) The product can only be installed and maintained by professionals
- 2) It is strictly prohibited to install in the environment containing inflammable, explosive gas and moist condensation
- 3) Do not touch the conductive part of the product during working
- 4) Power must be turned off when the product is installed and maintained
- 5) The product should not be installed at places where corrosive gas medium may cause damage to metals and insulations

### ■ General

MX series moulded case circuit breaker is suitable for the circuit of AC 50/60Hz, with rated voltage AC690V and below and rated current of 16A and 1600A.

### ■ Environmental protection

In order to protect the environment, the product or product parts should be disposed of according to the industrial waste treatment process, or be sent to the recycling station for assortment, dismantling and recycling according to local regulations.

### ■ Operating conditions

Temperature:

Operating and storage temperature is  $-40^{\circ}\text{C}\sim+70^{\circ}\text{C}$ ; the average value within 24 hours does not exceed  $+35^{\circ}\text{C}$ ; when the ambient temperature is  $-40^{\circ}\text{C}\sim+70^{\circ}\text{C}$ , users need to consider derating or temperature compensation.

Altitude:  $\leq 2000\text{m}$ ;

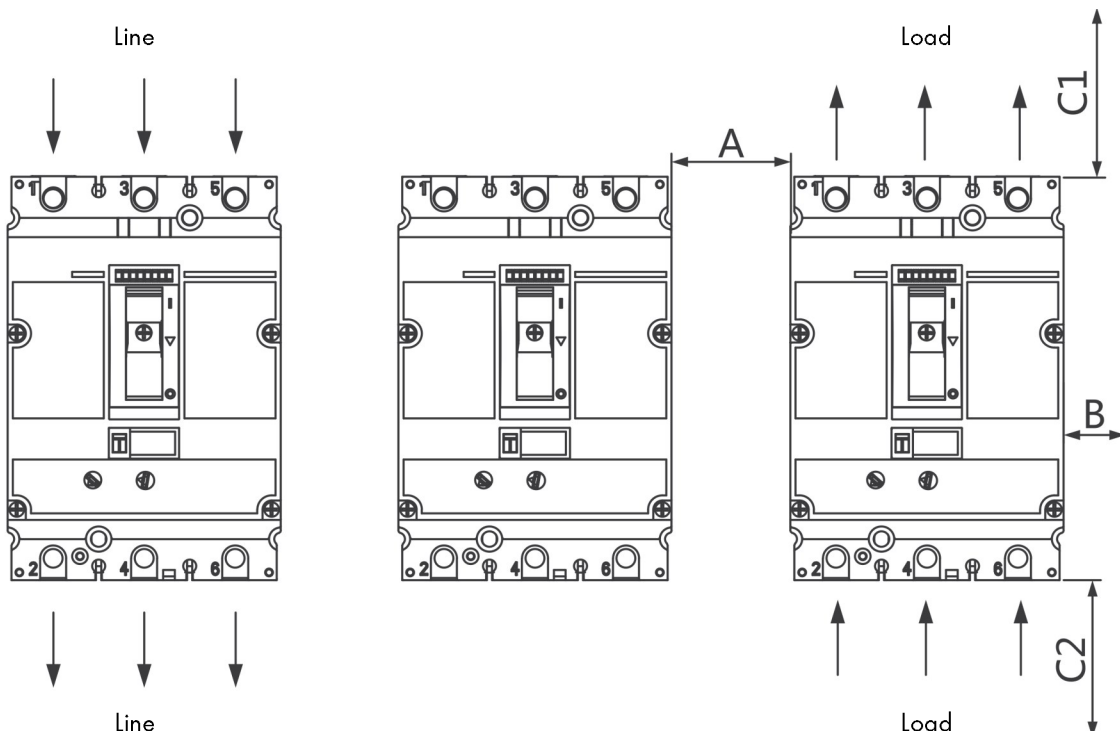
Pollution grade: Grade 3;

IP grade: IP40

Air conditions:

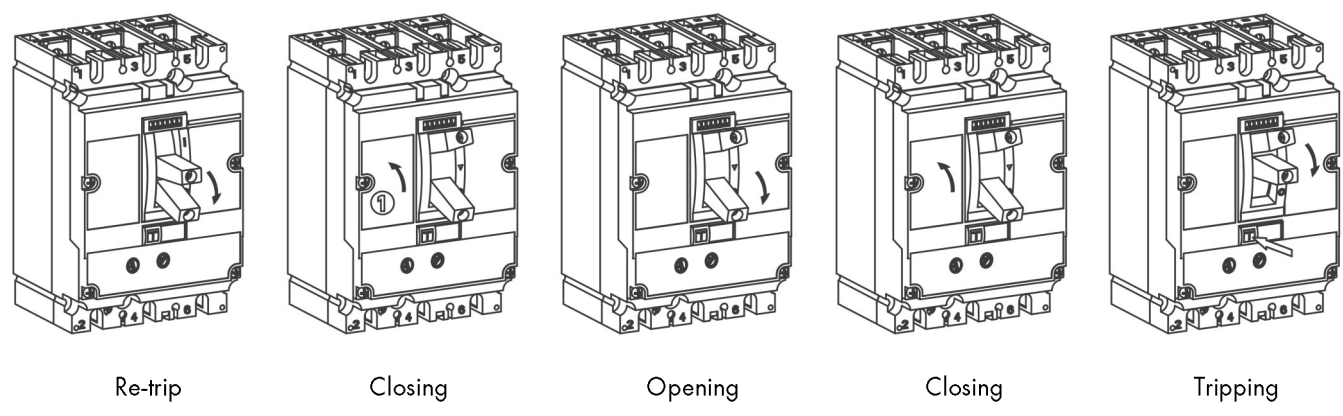
At mounting site, relative humidity not exceed 50% at the max temperature of  $+40^{\circ}\text{C}$ , higher relative humidity is allowable under lower temperature. For example, RH could be 90% at  $+20^{\circ}\text{C}$ , special measures should be taken to occurrence of dew.



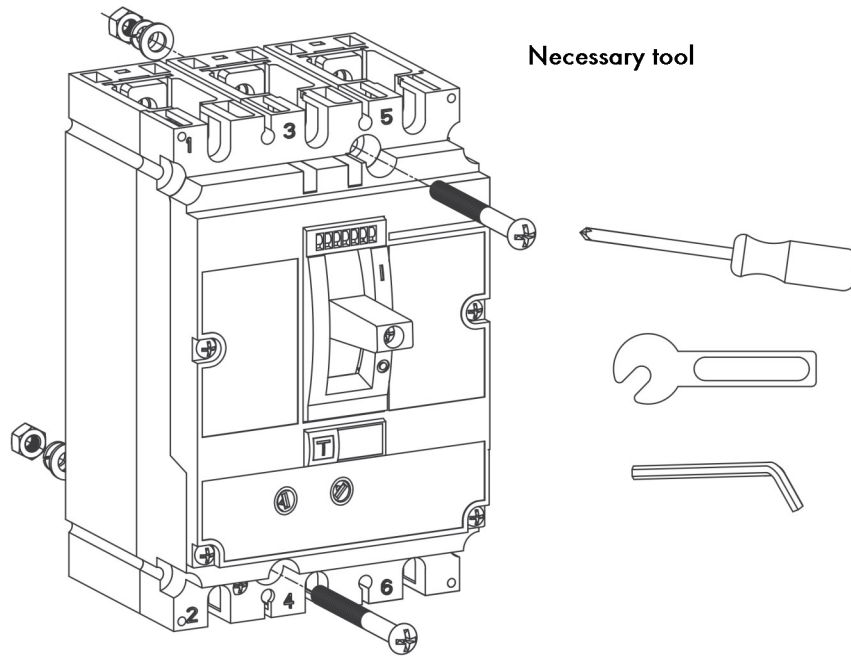


Model	Ue [V]	A	B	Insulation panel [mm]		Metal panel [mm]	
				C1	C2	C1	C2
MX1	<660	10	10	30	30	35	35
	>660		20	30	30	35	35
MX2	<660		10	30	30	35	35
	>660		20	30	30	35	35
MX3	<660		10	30	30	35	35
	>660		20	30	30	35	35
MX4			20	130	130	170	170

**TEST**



**Inspection, testing**



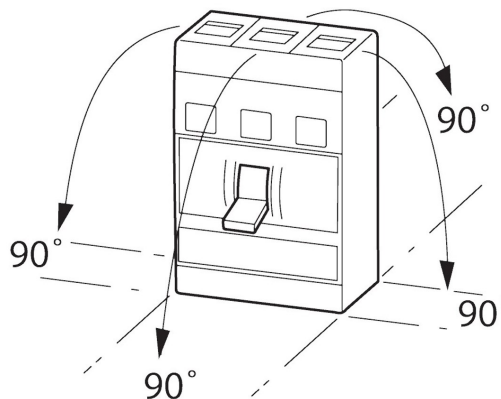
Model



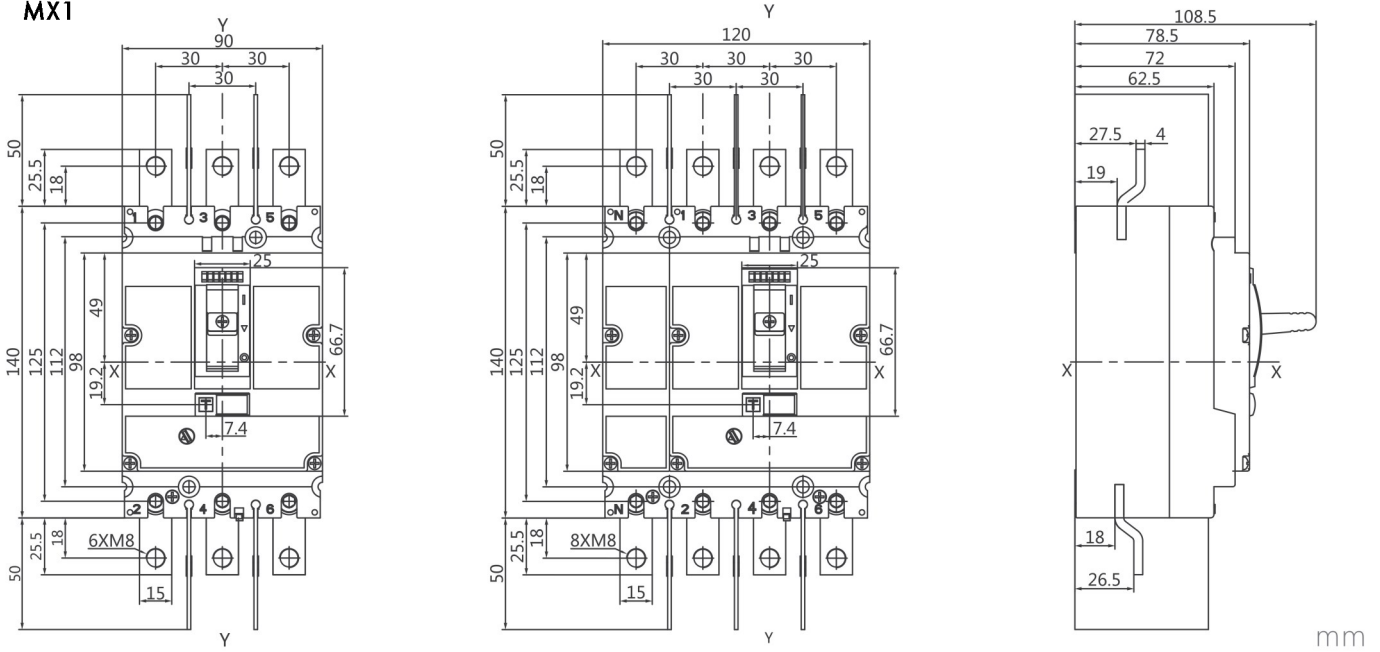
MX1	3P	2 (M5x65)	6 (M6x16)
	4P	4 (M5x65)	8 (M6x16)
MX2	3P	2 (M5x75)	6 (M8x20)
	4P	4 (M5x75)	8 (M8x20)
MX3	3P	4 (M5x85)	6 (M10x30)
	4P	6 (M5x85)	8 (M10x30)
MX4	3P	4 (M5x110)	12 (M10x40)
	4P	6 (M5x110)	16 (M10x40)

**Installation position**

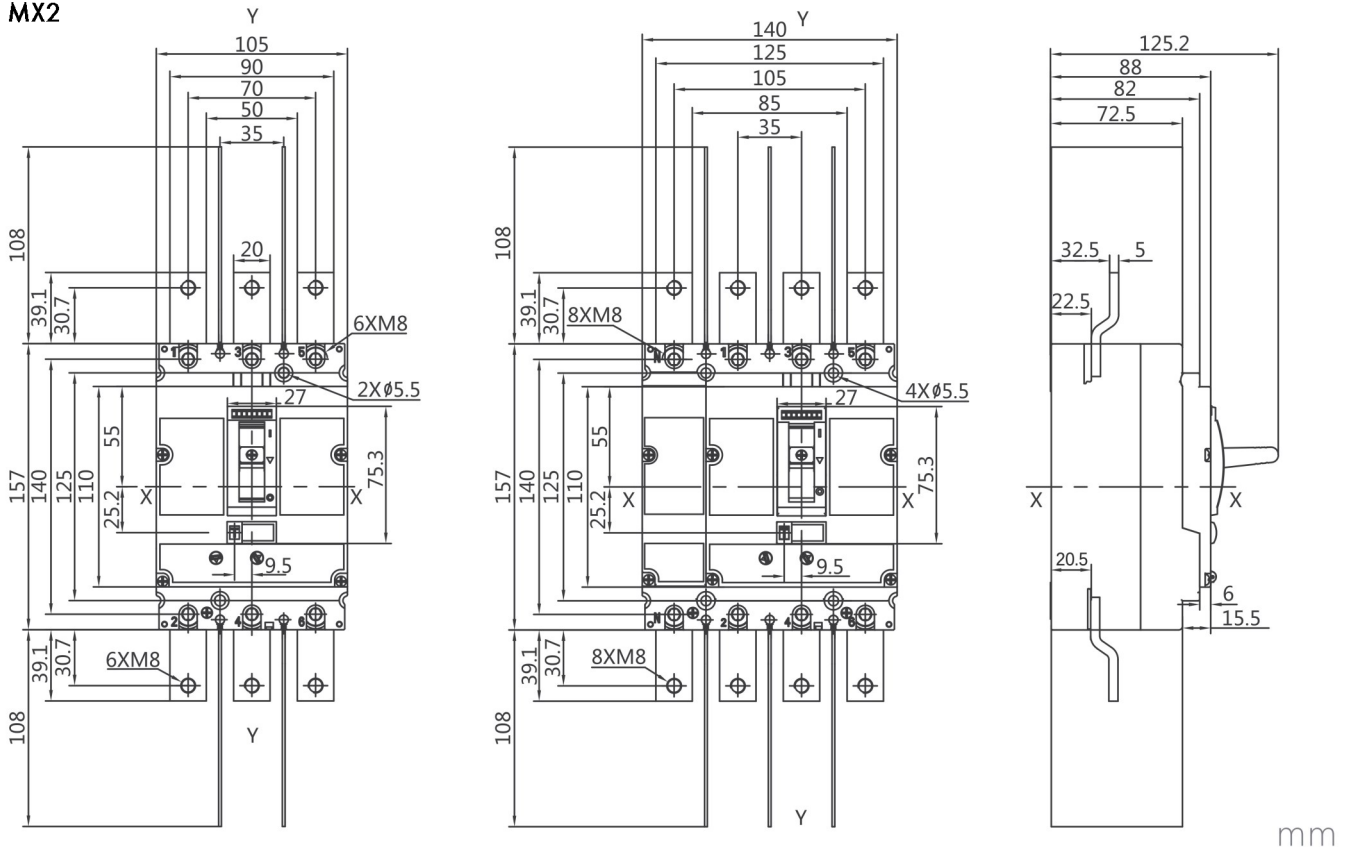
Perpendicular and 90°  
in all directions



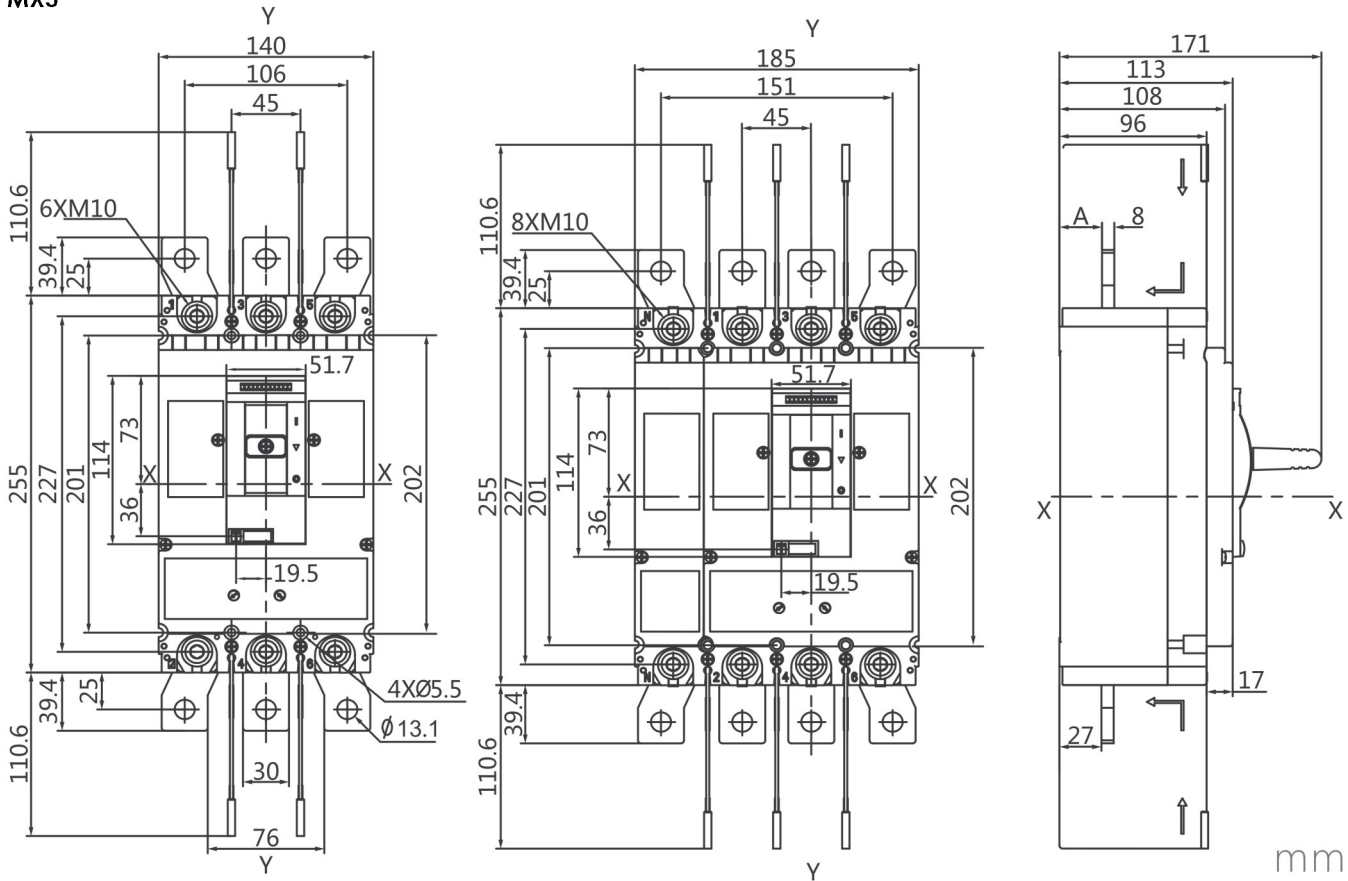
**MX1**



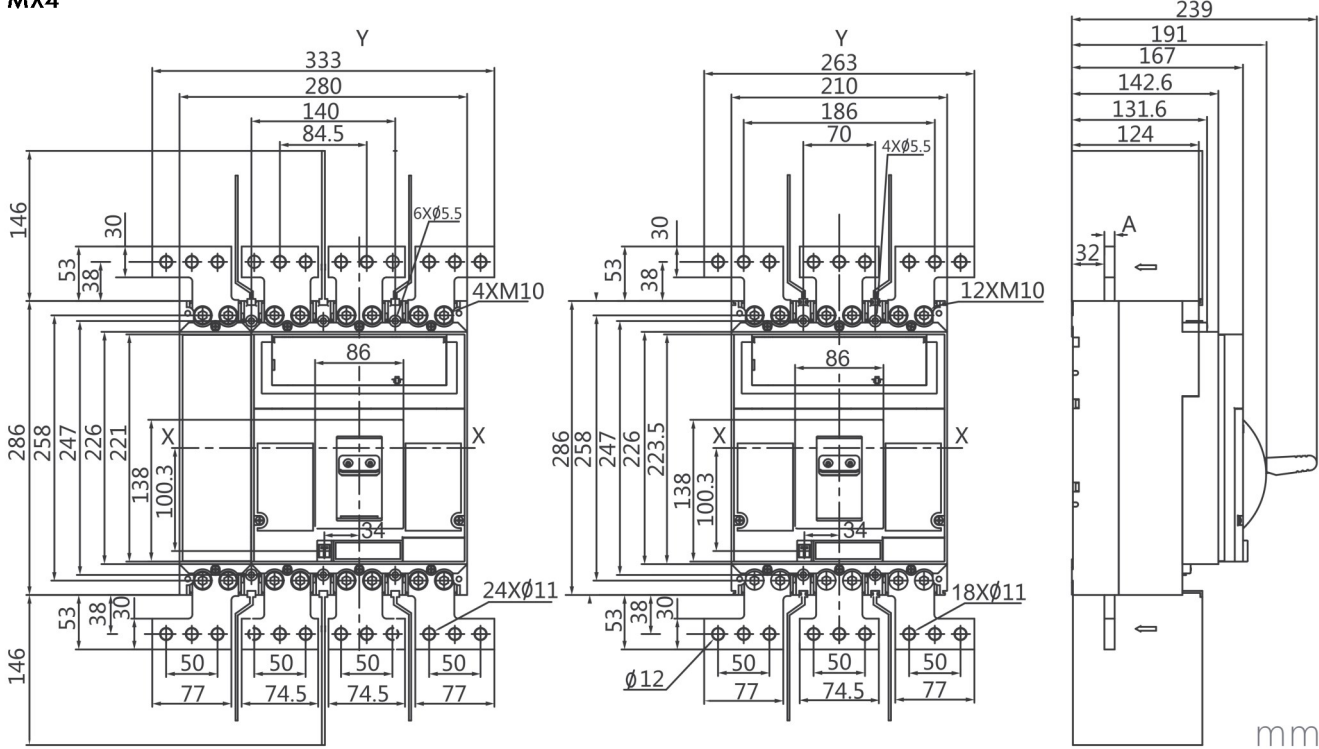
**MX2**



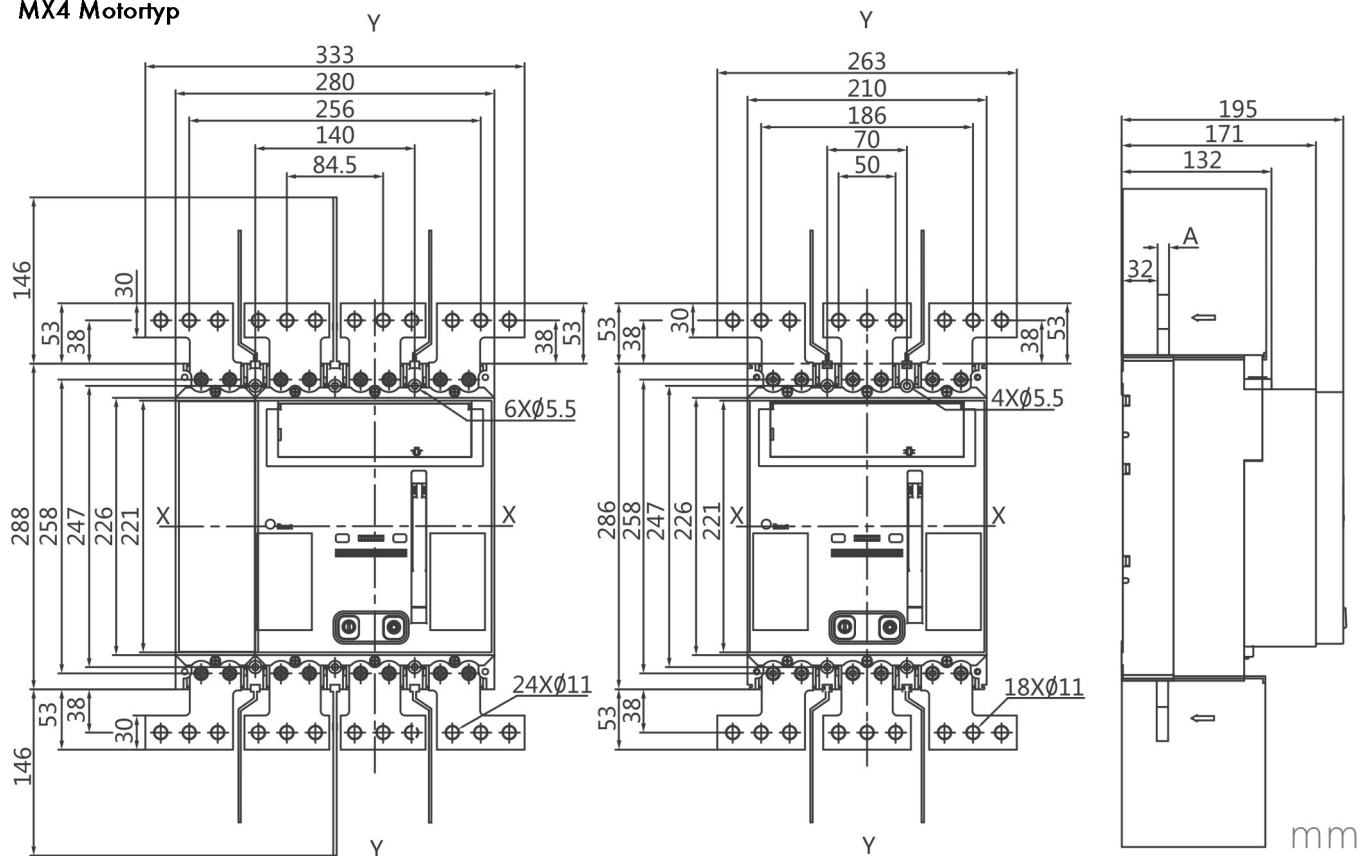
**MX3**



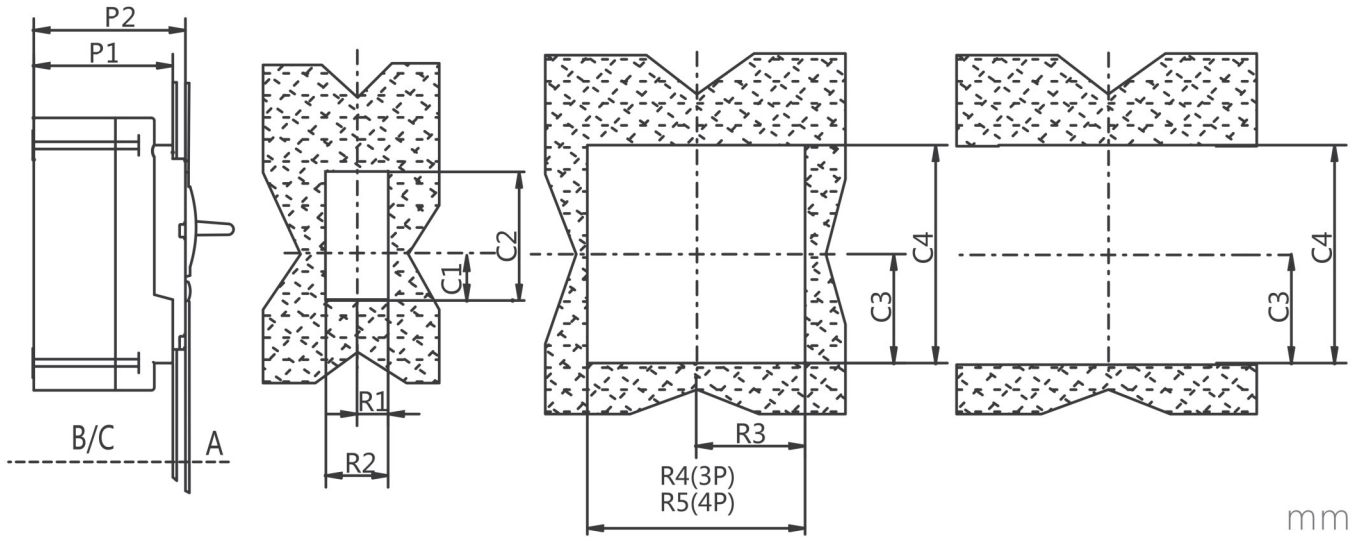
**MX4**



**MX4 Motortyp**



**Front opening hole size**

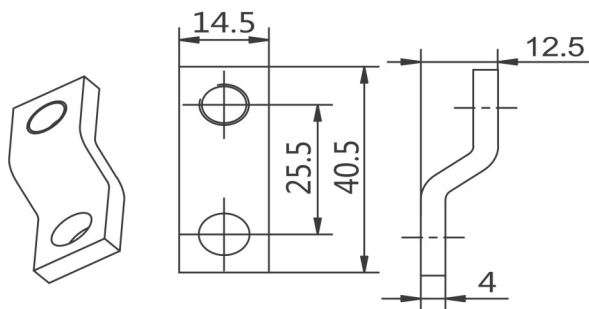


	MX1	MX2	MX3	MX4
P1	73	83	109	168
P2	80	89	114	168
R1	13	14	36.5	43.5
R2	26	28	53	87
R3	46.5	54	71.5	105
R4	93	108	143	213
R5	123	143	188	283
C1	26	33	41.5	112
C2	70	78	116	140
C3	50.5	56.5	103	112
C4	101	113	195	224

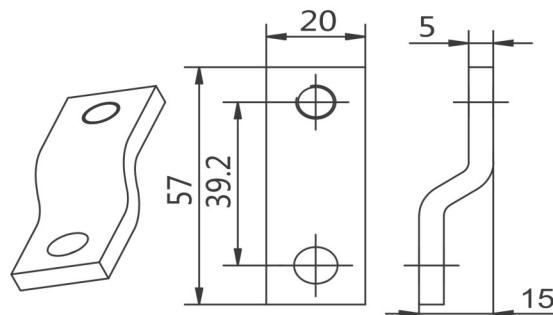


Connection accessories

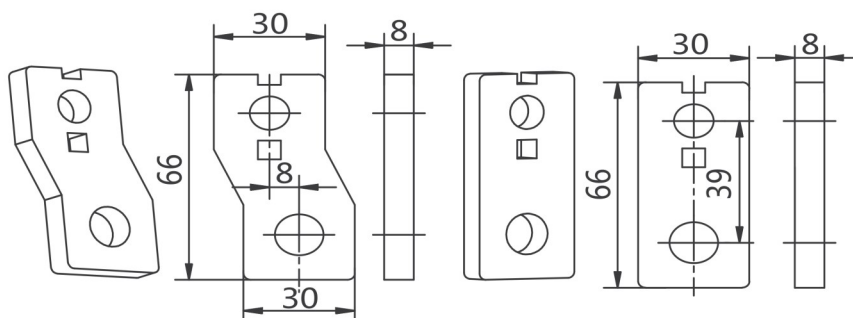
mm



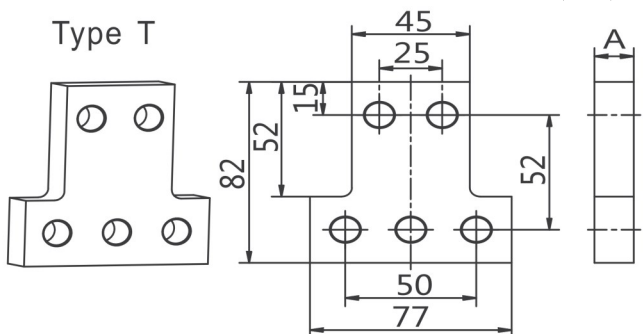
MX190019-/20-



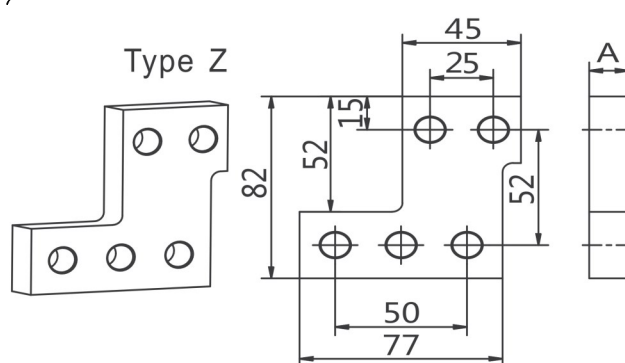
MX290019-/20-



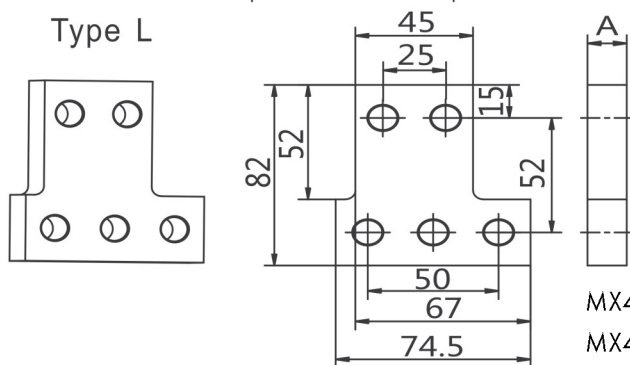
MX390019-/20-



Type T



Type Z



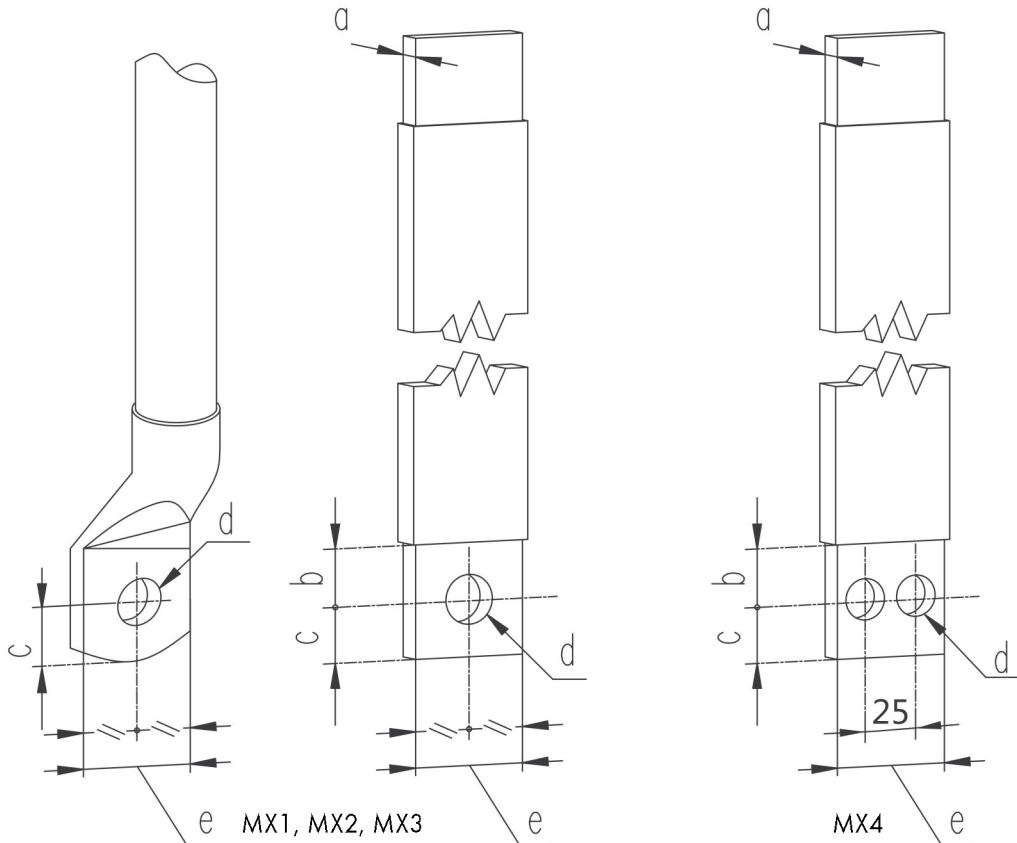
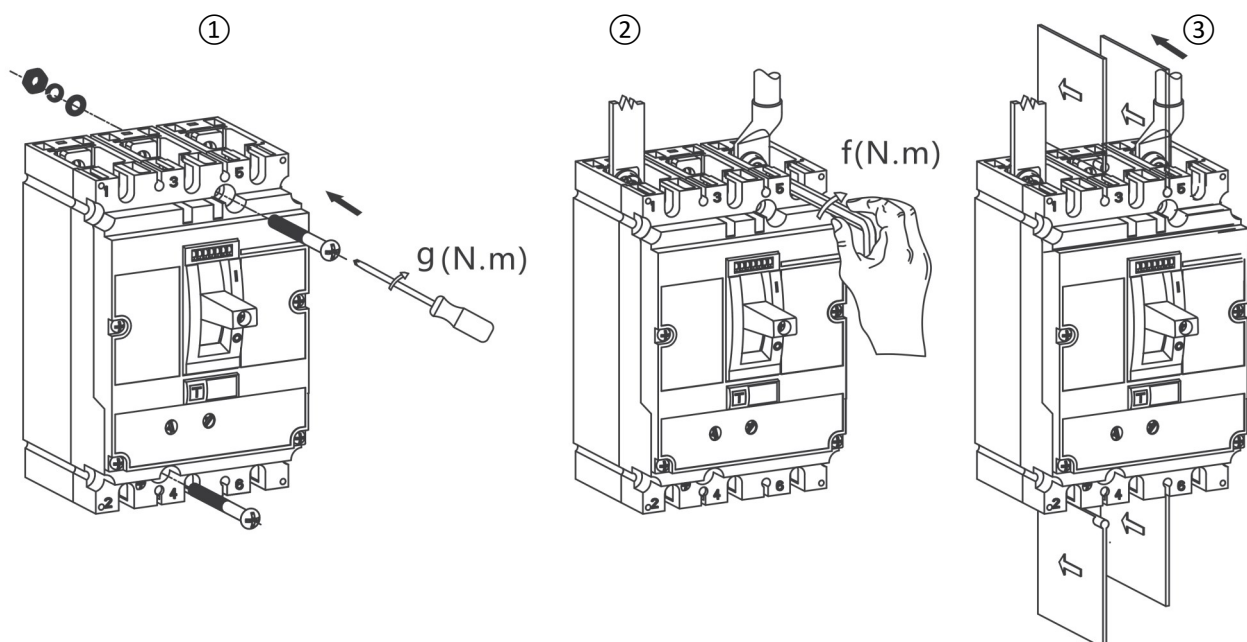
Type L

MX490017-/18-

MX490019-/20-

MX4	3P	TZZ
	4P	LLZZ

Note: All connections are optional



	a (mm)	b (mm)	c (mm)	d (mm)	e (mm)	f (N.m)	g (N.m)
MX1	4	≥7.5	≤7.5	φ6.5	≤14.2	6	2
MX2	6	≥9.5	≤8.5	φ8.5	≤25	11	2
MX3	8	≥15	≤12.5	φ10.5	≤30	25	3
MX4	10 (1250A)	≥15	≤16	φ10.5	≤55	25	3
	20 (1600A)						