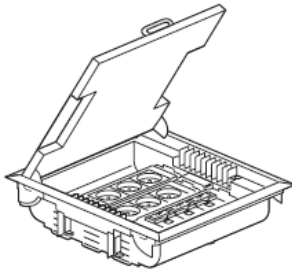
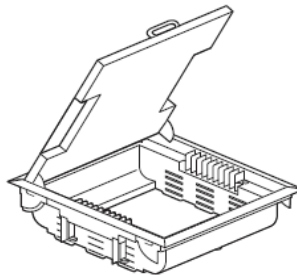


Floor boxes with adjustable height & Access units

Number(s) :
896 05/06/07/10/11/12/15/16/17/40/41/42/43/45/46/47/48 and
89690/91/94/95



Floor boxes with adjustable height



Access units

CONTENTS	PAGES
1. Floor boxes	1 to 4
2. Access units	4 to 6
3. Technical characteristics	7
4. Material characteristics	7

1 FLOOR BOXES.

Floor boxes allow :

- Energy and data supply for working stations by the ground
- To adjust height installation of mounting boxes from 75 to 105mm and to install them at the end of the building site.
- The use of various types of coatings like carpet, vinyl, parquet floor up to 10mm high.
- To supply each support by 2 ICTA sheath of 20mm Ø.

2 types of floor boxes with adjustable height from 75 to 105 mm :

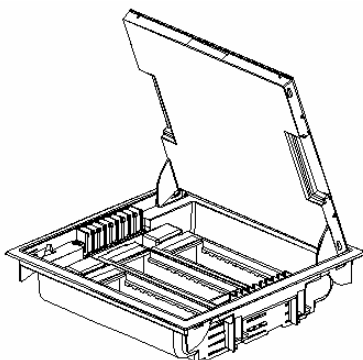
For technical space \geq 75mm

They can be used for working stations connection from technical floor or concrete floor (with the use of plastic or metal under floor boxes)

- To be equipped with 12, 18 et 24 Mosaic modules wiring accessories
- Boxes are supplied with reversible stainless steel cover or parquet cover with protection sheel.
- Easy opening by rings and keeping cover in open position during connection.
- Certified to NF EN 60 670-1

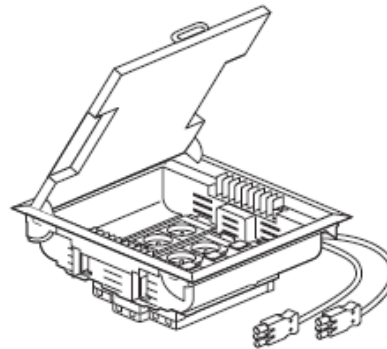
To be equipped numbers : 896 05/06/07/10/11/12/15/16/17

Floor boxes equipped with empty mounting boxes.



1 FLOOR BOXES (continued)

Equipped and pre-connected numbers : 896 40/41/42/43/45/46/47/48



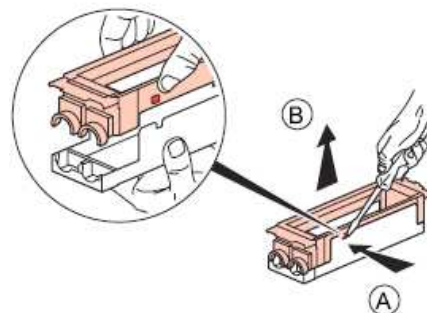
Floor boxes are equipped :

- With Mosaic sockets with 45° sloping screw recesses in mounting boxes. These are connected by male end-piece fast connectors with cords of 500mm length.
- There are also rear pluggable RJ 45 sockets.

2 colours are available:

- grey (for boxes to be equipped or equipped and pre-connected)
- beige (only for boxes to be equipped)

Mounting boxes :



- to be equipped with Mosaic sockets
- adjustable height from 75 to 105mm
- they ensure perfect cable separation
- can get 2 ICTA sheath of 20mm Ø
- can take marking labels.
- mounting boxes are shifted ones others to ensure optimal connecting on all over sockets available.

Floor boxes with adjustable height & Access units

Number(s) :

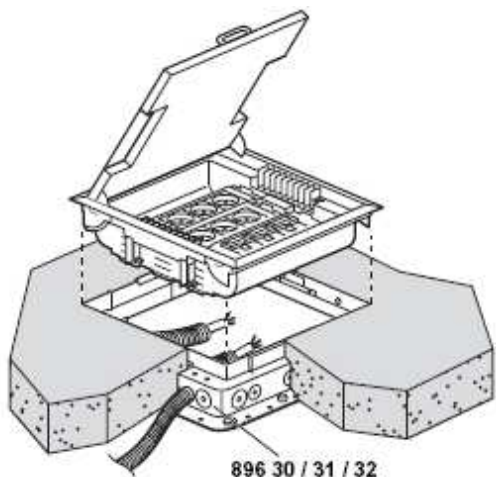
896 05/06/07/10/11/12/15/16/17/40/41/42/43/45/46/47/48 and
89690/91/94/95

1 FLOOR BOXES (continued)

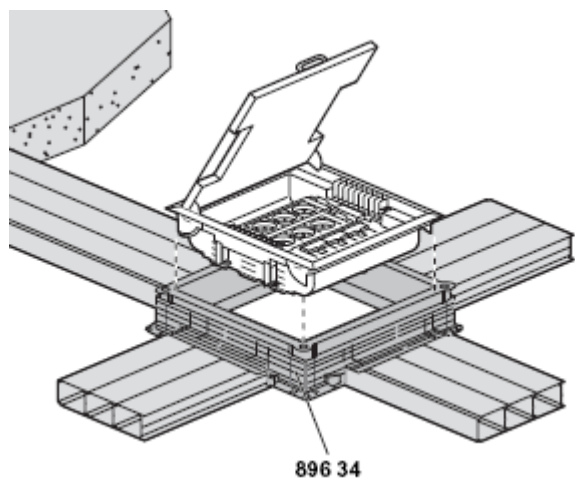
Into technical floor :



Into plastic under-floor boxes :

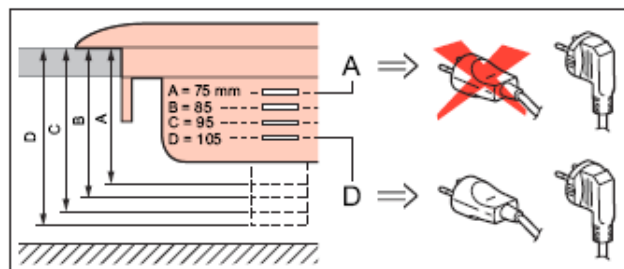
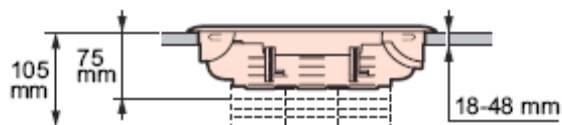


Into metal under-floor boxes number 89634 :

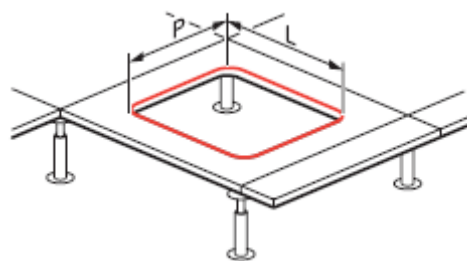


1 FLOOR BOXES (continued)

According to used plugs, installation height of mounting boxes is adjustable.



Dimensions of floor boxes :



Technical floor is cut out according to floor boxes numbers :

	P_{0}^{+2} (mm)	L_{0}^{+2} (mm)
896 05/06/07	212	252
896 10/11/12	252	252
896 15/16/17	306	252

	P_{0}^{+2} (mm)	L_{0}^{+2} (mm)
896 40/41/42/43	212	252
896 45/46/47/48	252	252

Floor boxes with adjustable height &

Access units

1 FLOOR BOXES (continued)

Wiring accessories supports can hold :

Multi-support multiple Mosaic sockets :



2 modules Mosaic sockets :

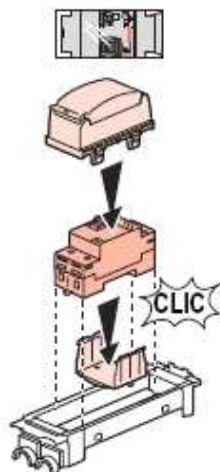


RJ 45 sockets in 1 or 2 modules or rear pluggable RJ 45 sockets.



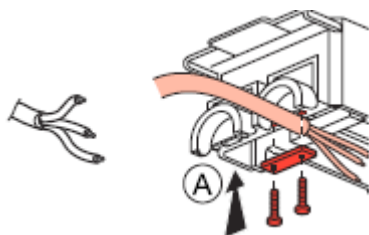
MCB support and cover :

According to used MCB support, installation height of mounting boxes 105mm.

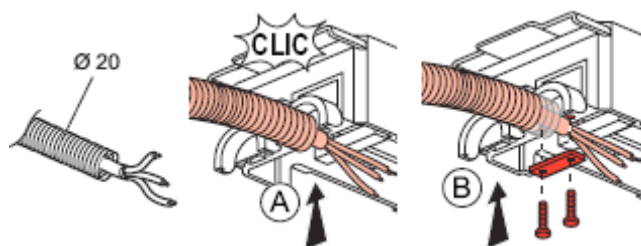


Mounting boxes can hold :

Cables :



ICTA Ø 20mm sheath :



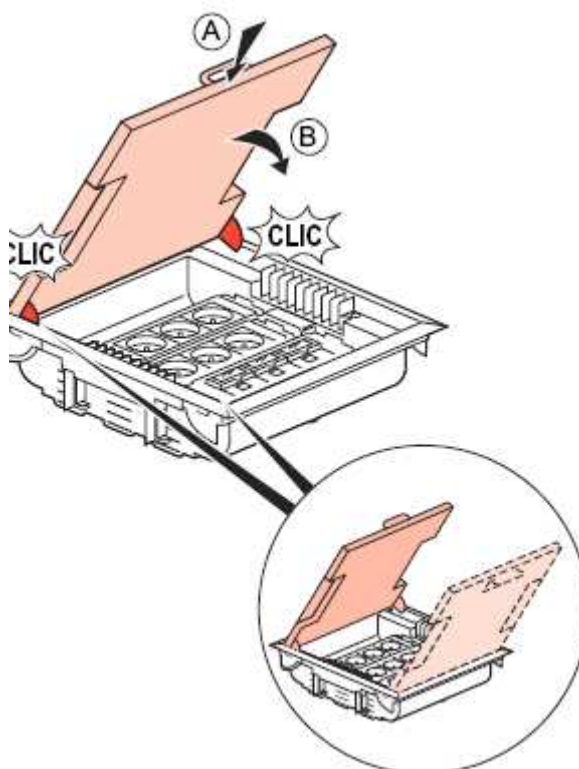
Number(s) :

896 05/06/07/10/11/12/15/16/17/40/41/42/43/45/46/47/48 and
89690/91/94/95

1 FLOOR BOXES (continued)

Cover positioning :

Reversible cover can be fastened on each side of the box.



Dimensions for covers :

Cover 24 Mosaic modules = 298mmx243mm

Cover 18 Mosaic modules = 243mmx243mm

Cover 12 Mosaic modules = 203mmx243mm

All covers (stainless steel cover or parquet cover) are equipped with a metal plate allowing the rigidity of this one.

Floor boxes with adjustable height & Access units

Number(s) :

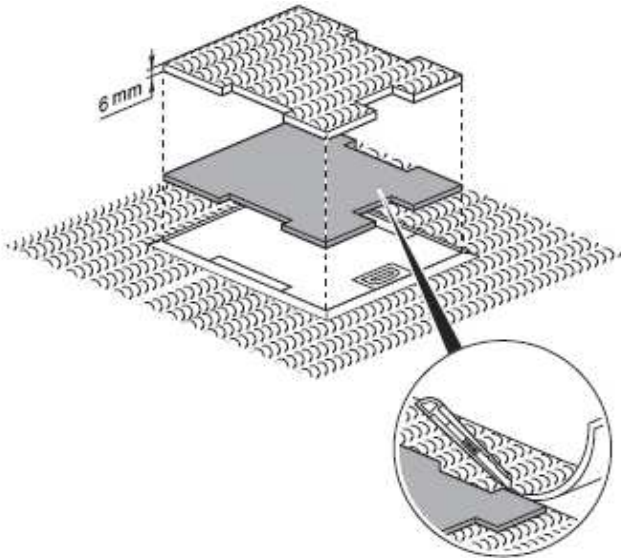
896 05/06/07/10/11/12/15/16/17/40/41/42/43/45/46/47/48 and
89690/91/94/95

1 FLOOR BOXES (continued)

Installation with different coatings :

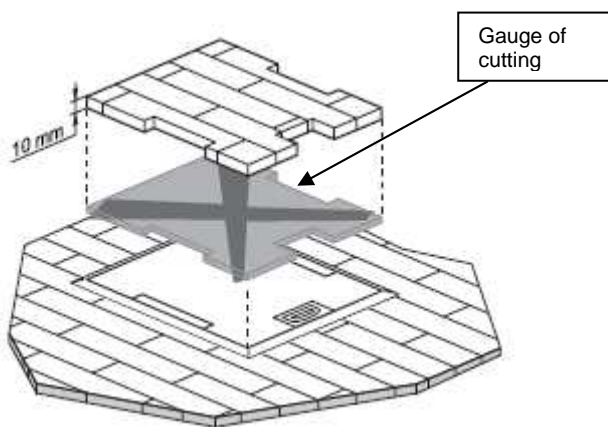
Example with carpet or vinyl :

Gauge of cutting can be used and put under final coating if thickness is lower than 6mm.



Example with parquet floor :

Gauge of cutting isn't used if thickness of final coating is lower than 10mm.

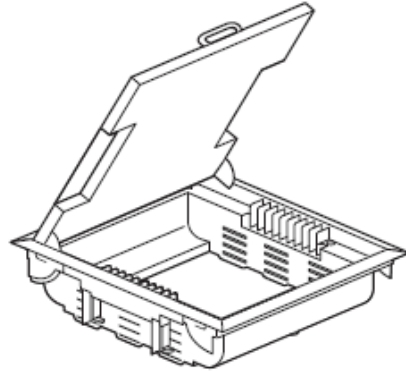


Note: the fitting of tiling is forbidden on the cover

2 ACCESS UNITS.

Access units allow :

- for technical space ≥ 90 mm
- Installation on technical floor or concrete floor (with the use of plastic or metal under floor boxes)
- The use of various types of coatings like carpet, vinyl, parquet floor up to 10mm high.



Allow the provision of an access on the ground

- Boxes are supplied with reversible stainless steel cover or parquet cover with protection sheet.
- Easy opening by rings and keeping cover in open position during connection.
- Certified to NF EN 60 670-1
- colour grey
- packing / 1
- range : 2 types of access units :

Small dimension, equivalent to 12 modules:

Ref 89690 with coating (carpet or vinyl) cover
Ref 89691 with stainless steel cover

Great dimension, equivalent to 24 modules:

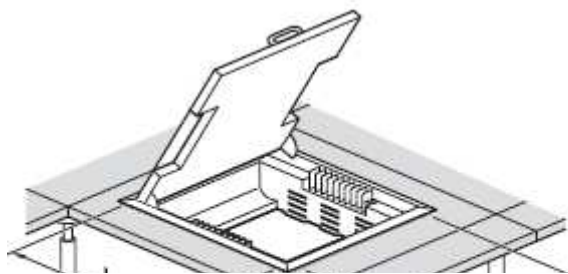
Ref. 89694 with coating (carpet or vinyl) cover
Ref. 89695 with stainless steel cover

Floor boxes with adjustable height & Access units

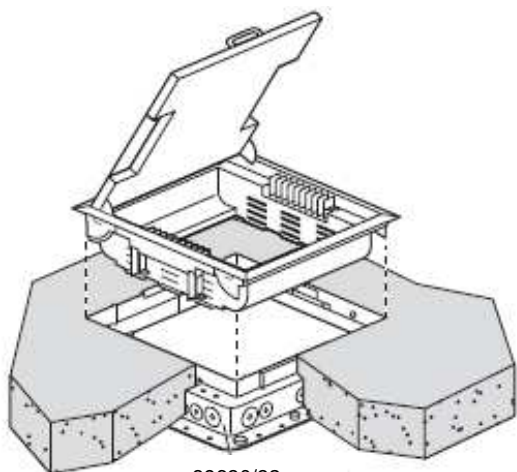
Number(s) :
896 05/06/07/10/11/12/15/16/17/40/41/42/43/45/46/47/48 and
89690/91/94/95

2 ACCESS UNITS (continued)

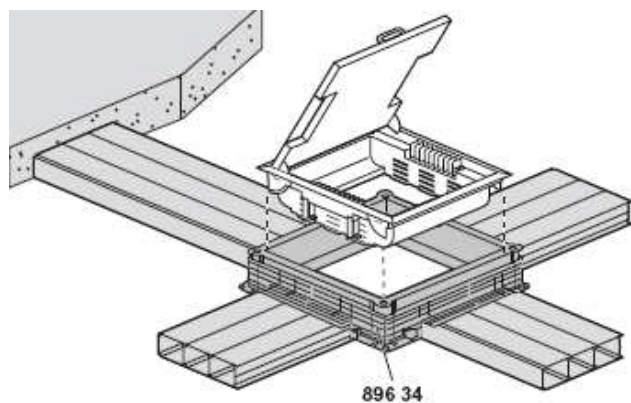
In technical floor :



In plastic under-floor boxes :

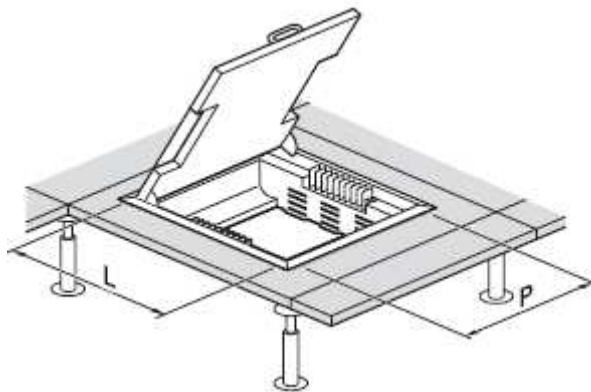
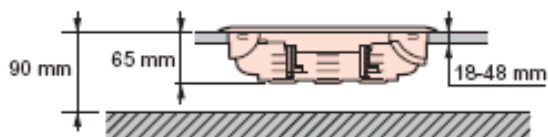


In metal under-floor boxes number 89634 :

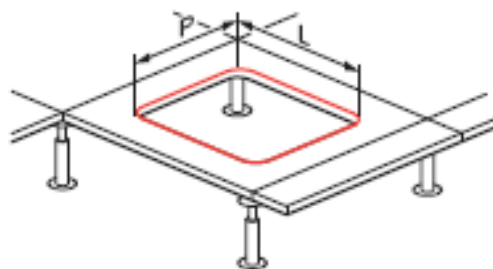


2 ACCESS UNITS (continued)

Installation height of mounting access units (mini 90mm).



Dimensions of access units :



Technical floor is cut out according to access units numbers :

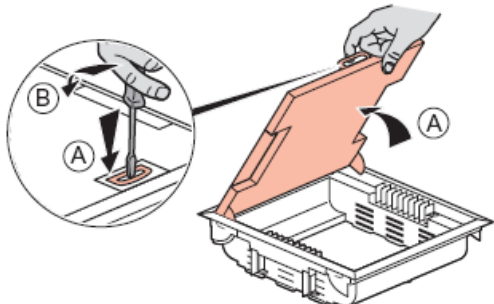
	P_0^{+2} (mm)	L_0^{+2} (mm)
896 90/91	212	252
896 94/95	306	252

Floor boxes with adjustable height & Access units

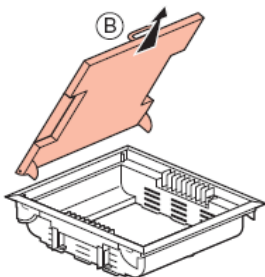
2 ACCESS UNITS (continued)

Access units positioning :

To raise the ring (A) then to open the cover (B)

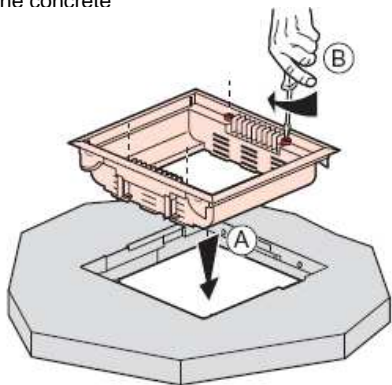


To withdraw the cover of the access units

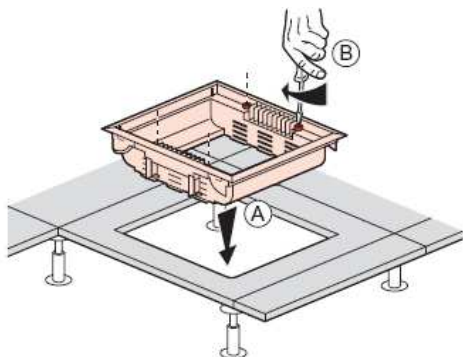


To install then to screw the access units using the screws (1/4 of turn)

In the concrete



In technical floor :



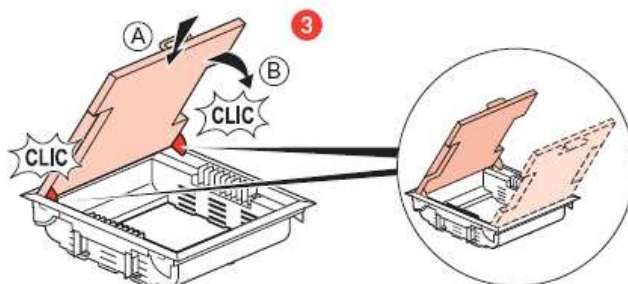
Number(s) :

896 05/06/07/10/11/12/15/16/17/40/41/42/43/45/46/47/48 and 89690/91/94/95

2 ACCESS UNITS (continued)

Cover positioning :

Reversible cover can be fastened on each side of the box.



Dimensions for covers :

Cover small dimension = 203mmx243mm

Cover great dimension = 298mmx243mm

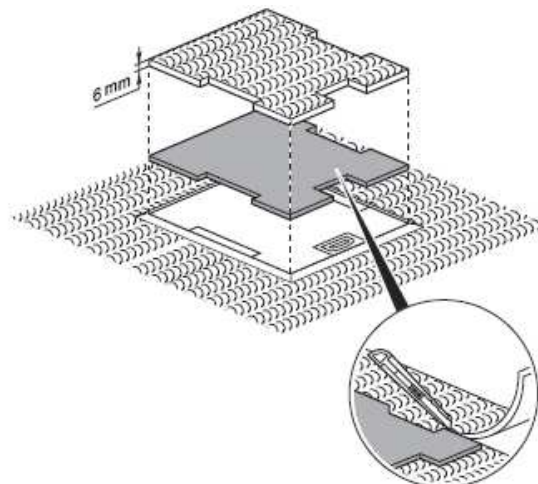
All covers (stainless steel cover or parquet cover) are equipped with a metal plate allowing the rigidity of this one.

Note: the fitting of tiling is forbidden on the cover

Installation with different coatings :

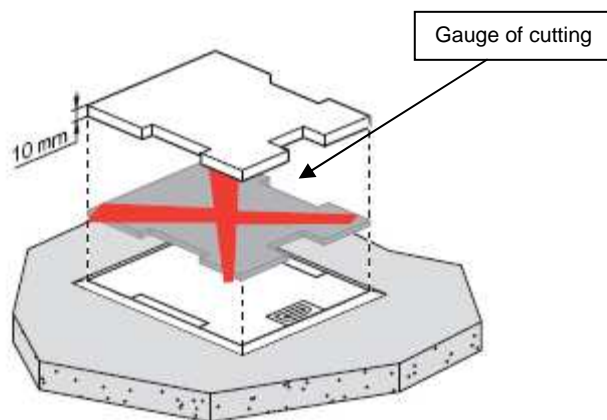
Example with carpet or vinyl :

Gauge of cutting can be used and put under final coating if coating if thickness is lower than 6mm.



Example with parquet floor :

Gauge of cutting isn't used if thickness of final coating is lower than 10mm.



Floor boxes with adjustable height & Access units

Number(s) :
896 05/06/07/10/11/12/15/16/17/40/41/42/43/45/46/47/48 and
89690/91/94/95

3 TECHNICAL CHARACTERISTICS (continued)

Standard EN 50085-2-2 concerns system for distributing currents in the floor (sunken or surface-mounted). It ensures consistent performance along the entire distribution length up to the user connection point

Classification for distribution system by floor:

		Embedded in floor	On floor
6.2	Resistance to impact for installation and application	5 J	5 J
6.3	Minimum storage and transport temperature	- 25 °C	- 25 °C
6.3	Minimum installation and application temperature	- 5 °C	- 5 °C
6.3	Maximum application temperature	+ 60 °C	+ 60 °C
6.4	Resistance to flame propagation	Non propagating	Non propagating
6.5	Electrical continuity characteristics	Without continuity	Without continuity
6.6	Electrical insulating characteristics	Without electrical insulating characteristic	Without electrical insulating characteristic
6.7	Degree of protection provided by enclosure	IP30	IP20
6.9	System access cover retention	With a tool	With a tool
6.101	Floor treatment	Dry floor treatment	Dry floor treatment
6.102	Resistance to a vertical load applied over a small surface area	750 N	750 N
6.103	Optional classification according to resistance to a vertical load applied over a large surface area	3000 N	3000 N

Composition and function with distribution systems embedded in floor:

Floor service outlet boxes and access units and heavy duty boxes	With metal flush-mounting boxes		
	Metal boxes	Plastic trunking	Fixing
896 05 896 06 896 07 896 20 896 21 896 90 896 91	896 34 +	see (1)	see (2)
896 10 896 11 896 12	896 36 896 37		
896 15 896 16 896 17 896 25 896 26 896 94 896 95	896 34 +		

Width (mm)	100		150		200		250		300	
Height (mm)	28	38	28	38	28	38	28	38	28	38
Plastic trunking (1)	896 61	896 68	896 62	896 69	896 63	896 70	896 63 +	896 70 +	896 63 +	896 70 +
Fixing (2)	896 74		896 75		896 76		896 77		896 78	

Technical informations:

Fixing test for apparatus mounting of socket outlets (60°C/81N) : Comply with standard NF EN 50085-1 2 006
No degradation after 10000 opening/closing

4 MATERIAL CHARACTERISTICS

Floor boxes and access units are made of polycarbonate (PC) with zero halogens.