



Rapid 45-2 device installation trunking



Just right for you!

One system, many options: The new Rapid 45-2 device installation trunking for the installation of devices of the OBO Modul 45 and Modul 45connect series.



A clear profile. Rapid 45-2 plastic

Aesthetic and functional. The Rapid 45-2 plastic device installation trunking is a classic office item. With its new design, it shows a clear character and a high level of functionality.

Attractive design. Rapid 45-2 aluminium

Surface quality plus a balanced shape - now that's stylish. Technical precision supplements the attractive appearance of the aluminium device installation trunking.



A clear shape meets technical efficiency

The new Rapid 45 generation unites a symmetrical design, homogeneous colour quality and technical flexibility in a single system. Innovative fittings allow practical wall installation in administration buildings, commercial areas and in industry. In three dimensions, the Rapid 45-2 device installation trunking offers a wide range of applications.

Plastic



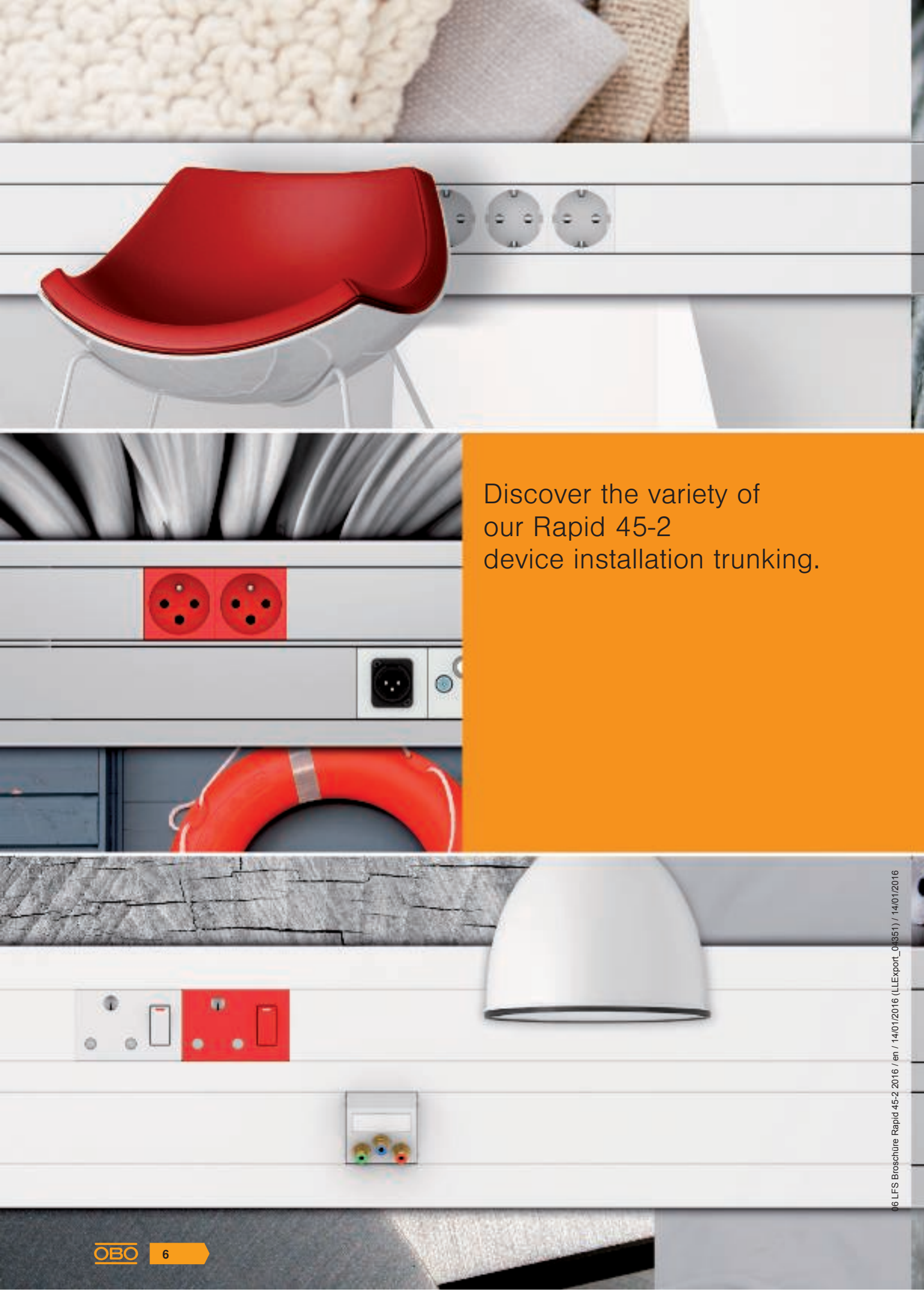
Aluminium



Device installation



Switches, sockets and data technology elements of the OBO Modul 45 and Modul 45connect series can simply be clicked into the trunking profile. A compact system, which can be mounted quickly and expanded easily.



Discover the variety of
our Rapid 45-2
device installation trunking.



OBO
BETTERMANN

Install more intelligently.

The principle of Modul 45

The perfect supplement to Rapid 45-2: Devices of the OBO Modul 45 series made by us. Switches, sockets and data technology and multimedia elements are simply snapped into the system environment by hand – and the practical installation is already complete.

Compared with standard installation types, the cost of installation, expansion and replacement of devices is considerably lower. No additional components, such as accessory mounting boxes, adapters or cover frames, are required.



One system, many options

With its standardised installation dimension and a wide range of components, Modul 45 can offer the right solution for any system environment. The device range fulfils countless international requirements and national standards.

Mounting with a single click



Click

The principle of Modul 45connect

Modul 45connect stands out through its innovative socket and adapter components and offers numerous application options. The connection adapter, with which sockets can be arranged easily, creates a high level of flexibility. Thus, it is possible to create multi-socket combinations without the need for additional wiring. Combinations with a maximum of two connection adapters are tested and VDE-approved; 4x to 9x socket combinations can be created easily.



A clear profile. Rapid 45-2 plastic

The classic device installation trunking for the office. Discover the versatility of Rapid 45-2.



Range of variants

In the plastic variant, Rapid 45-2 is able to shine in both its light grey and pure white versions. Four trunking widths are available.

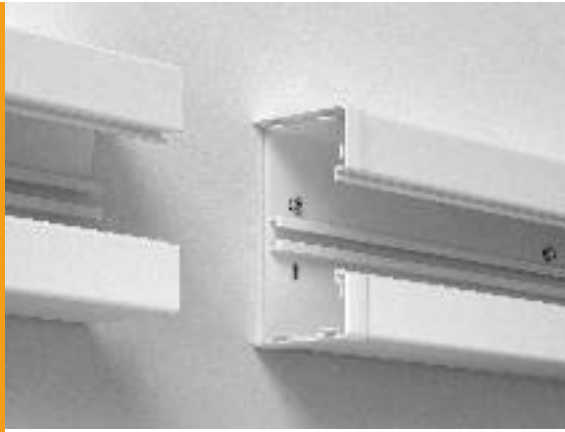
- RAL 9010 pure white
- RAL 7035 light grey

Available dimensions (trunking height x trunking width)

- 53 x 100 mm, one-compartment
- 53 x 130 mm, two-compartment
- 53 x 165 mm, two-compartment
- 53 x 160 mm, three-compartment

Quick mounting

Intelligent mounting details, such as joint connectors and covers, allow rapid installation.



Fittings

A compact selection of fittings, such as internal and external corners, flat angles and T pieces, ensure tidy mounting. The hood fittings fit both the plastic system and the aluminium system.



Attractive design. Rapid 45-2 aluminium

Adds value to any office environment: Rapid 45 in aluminium stands out through its fine appearance.

Fittings

Fixed and variable fittings, such as internal corners, external corners and T pieces, make installation perfect.



Range of variants

With anodised or pure white powder-coated surfaces, aluminium Rapid 45-2 device installation trunkings can bring elegance to the workplace. Special colours can also be implemented on request. Three trunking widths are available.

- Anodised
- RAL 9010 pure white

Available dimensions (trunking height x trunking width)

- 53 x 100 mm, one-compartment
- 53 x 130 mm, two-compartment
- 53 x 165 mm, two-compartment



Innovative cover

The new cover consists of a PVC base profile and an aluminium panel profile. It does not need to be included in the protective measure. Mounting and dismantling are very simple.

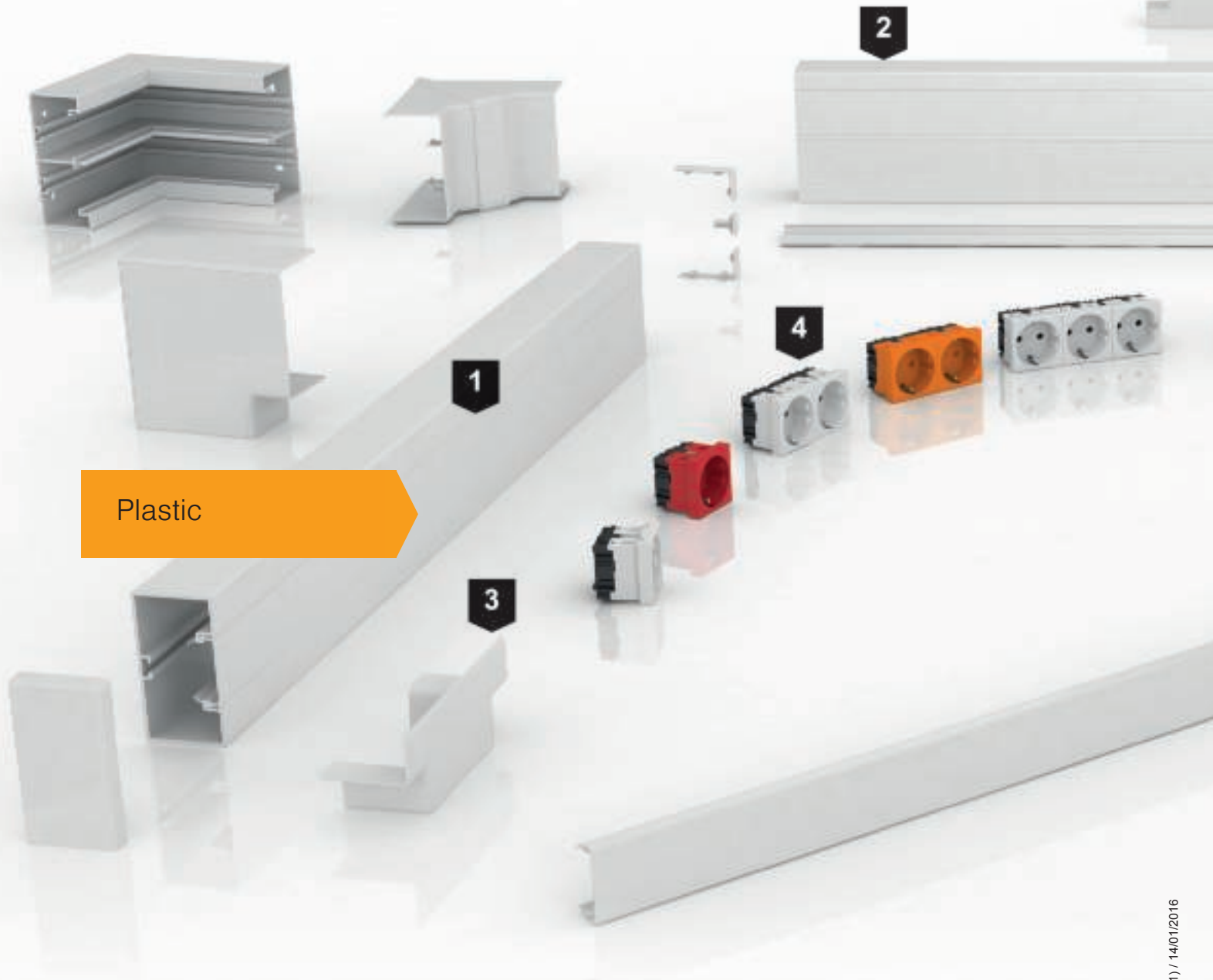


Anodised surface

During anodising, metal surfaces are electrically oxidised. This creates an extremely hard, scratch-resistant surface. Compared to other treatment methods, no outside material is used. The metallic character of the aluminium remains intact. In addition, the method offers reliable protection against corrosion.

Innovation in detail

Rapid 45-2 combines straightforward design and the highest quality with perfect handling in termination and processing. Accessory parts, such as end pieces or variable fittings, fit both the plastic and the aluminium trunking.

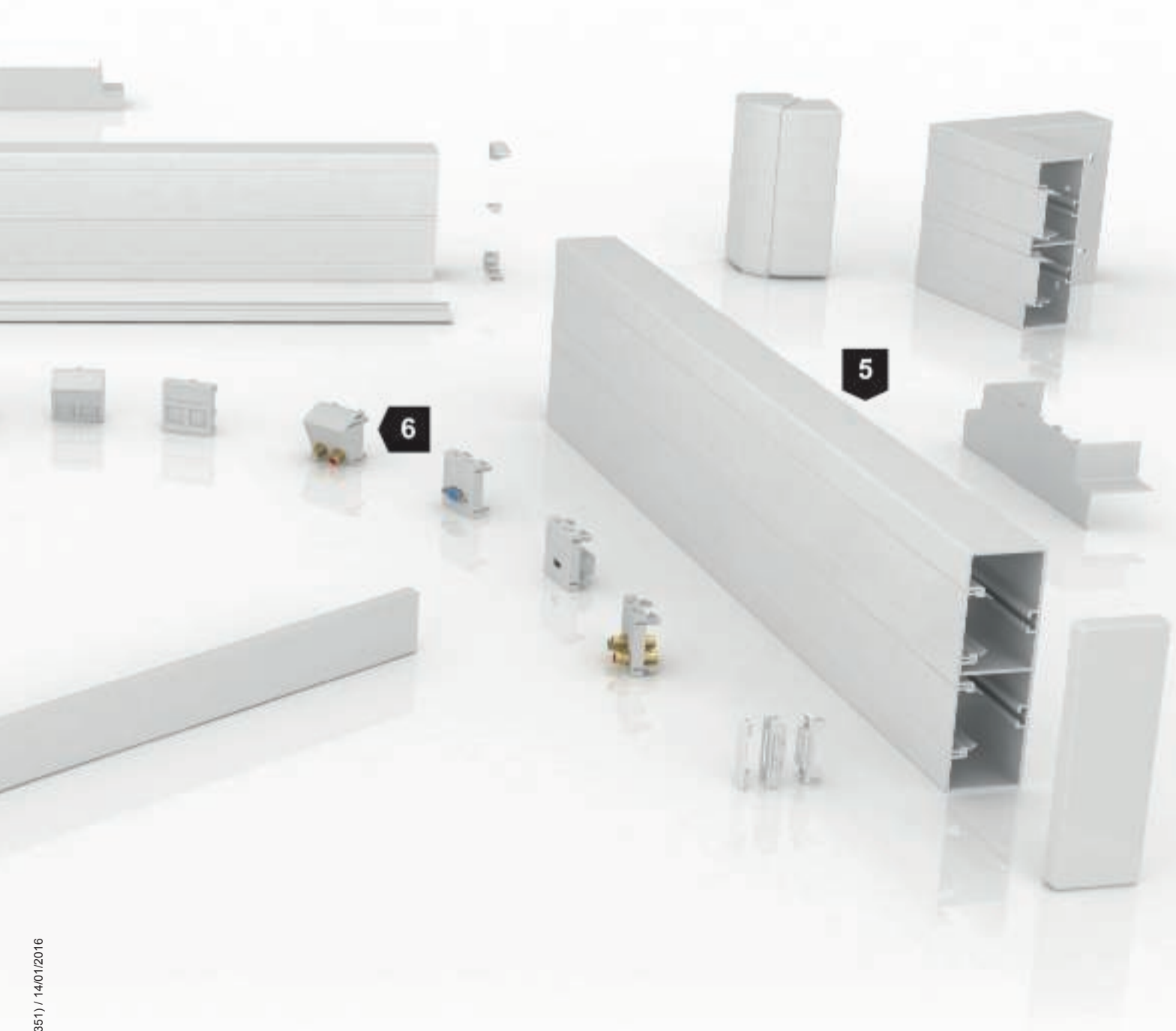


Plastic

1. Symmetrical product design
Rapid, simple installation, reliable function and contemporary design. These are the hallmarks of the new Rapid 45-2 generation.

2. Additional dimensions
The Rapid 45-2 device installation system also shows its versatility in its dimensions. The additional width of 130 mm supplements the existing 100 mm and 165 mm dimensions.

3. Innovative fittings
Innovative fittings extend the Rapid 45-2 system. The new T piece top hoods can be installed quickly. They are suitable for supply with the WDK trunking 40060 or the Rapid 45-2 device installation trunking.



4. Toolless mounting

Ideal partners for the Rapid 45-2: Devices of the OBO Modul 45-2 and Modul 45connect series. The front-locking devices are simply clicked into the 45 mm system opening. There is no need to strip cables or mount cable connections and strain reliefs.

5. One system

Rapid 45-2 plastic and Rapid 45-2 aluminium have the same dimensions. The consistent standardisation simplifies the combination of individual system parts.

6. Variety

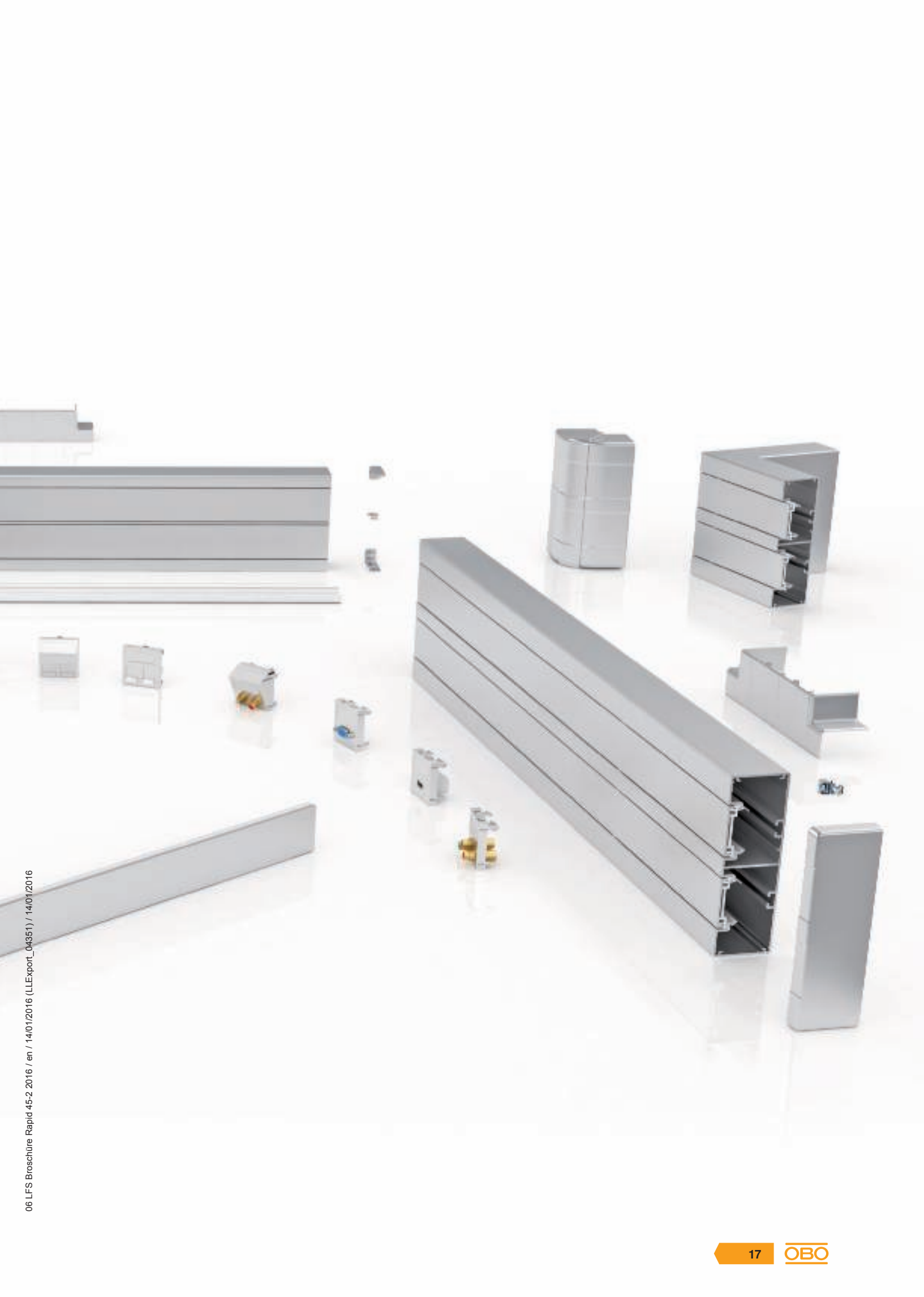
Switches, sockets, data technology and multimedia elements: Devices of the Modul 45 and Modul 45connect series allow the creation of functional yet aesthetic solutions for every system environment.

Quality in every element

The Rapid 45-2 in anodised aluminium is always an elegant solution for offices and administrative areas. A very high level of quality can be seen in all the system details.

Aluminium





Overview, Rapid 45-2 GK device installation trunking, plastic



	1	2	3	4	5	6	7	8	9	10	11	12	13
	Device installation trunking	Trunking connector and joint cover	Joint cover	External corner cover	External corner cover	Flat angle cover	Flat angle cover	Internal corner cover	Internal corner cover	T piece adapter	T piece adapter on WDK	End piece	Partition
GK53100 Trunking height 53 mm, trunking width 100 mm		6113 00 0	6113 02 0	6113 03 0	6113 04 0	6113 05 0	6113 08 0	6113 09 0	6113 06 0	6113 10 0	6113 31 0	6113 11 0	6113 29 0
	6113 00 2	6113 02 2	6113 03 2	6113 04 2	6113 05 2	6113 08 2	6113 09 2	6113 06 2	6113 07 2	6113 10 2	6113 31 2	6113 11 2	6113 29 0
GK53130 Trunking height 53 mm, trunking width 130 mm		6113 20 0	6113 21 0	6113 03 0	6113 22 0	6113 23 0	6113 26 0	6113 27 0	6113 24 0	6113 30 0	6113 32 0	6113 28 0	6113 29 0
	6113 20 2	6113 21 2	6113 03 2	6113 22 2	6113 23 2	6113 26 2	6113 27 2	6113 24 2	6113 25 2	6113 30 2	6113 32 2	6113 28 2	6113 29 0
GK53165 Trunking height 53 mm, trunking width 165 mm		6113 40 0	6113 02 0	6113 03 0	6113 41 0	6113 42 0	6113 45 0	6113 46 0	6113 43 0	6113 48 0	6113 31 0	6113 47 0	6113 29 0
	6113 40 2	6113 02 2	6113 03 2	6113 41 2	6113 42 2	6113 45 2	6113 46 2	6113 43 2	6113 44 2	6113 48 2	6113 31 2	6113 47 2	6113 290

Colours: Pure white Light grey You can find our comprehensive overall system in our cable routing systems catalogue.

Overview of Rapid 45-2 GA device installation trunking, aluminium



	1	2	3	4	5	6	7	8	9	10	11	12
	Device installation trunking	Trunking connector and joint cover	Joint cover	External corner	External corner cover	Flat angle	Flat angle cover	Internal corner	Internal corner cover	T piece adapter	End piece	Partition
GA53100 Trunking height 53 mm, trunking width 100 mm		6113 02 4	6113 03 4	6112 42 3	6113 05 4	6112 44 3	6113 09 4	6112 43 3	6113 07 4	6113 10 4	6113 11 4	6113 29 0
	6112 40 0	6113 02 0	6113 03 0	6112 42 0	6113 05 0	6112 44 0	6113 09 0	6112 43 0	6113 07 0	6113 10 0	6113 11 0	6113 29 0
GA53130 Trunking height 53 mm, trunking width 130 mm		6113 21 4	6113 03 4	6112 51 3	6113 23 4	6112 53 3	6113 27 4	6112 52 3	6113 25 4	6113 30 4	6113 28 4	6113 29 0
	6112 50 0	6113 21 0	6113 03 0	6112 51 0	6113 23 0	6112 53 0	6113 27 0	6112 52 0	6113 25 0	6113 30 0	6113 28 0	6113 29 0
GA53165 Trunking height 53 mm, trunking width 165 mm		6113 02 4	6113 03 4	6112 61 3	6113 42 4	6112 63 3	6113 46 4	6112 62 3	6113 44 4	6113 48 4	6113 47 4	6113 29 0
	6112 60 0	6113 02 0	6113 03 0	6112 61 0	6113 42 0	6112 63 0	6113 46 0	6112 62 0	6113 44 0	6113 48 0	6113 47 0	6113 29 0

Colours: Pure white Anodised

You can find our comprehensive overall system in our cable routing systems catalogue.

OBO Bettermann GmbH & Co. KG

P.O. Box 1120
58694 Menden, Germany

Customer Service Germany

Tel. +49 (0)2373 89-1700
Fax +49 (0)2373 89-1238
E-mail: export@obo.de

www.obo-bettermann.com

THINK CONNECTED.

