

# PRODUCT FAMILY DATASHEET

## HQL LED HIGHBAY

LED replacement for HID lamps for high-bay luminaires



---

### AREAS OF APPLICATION

- Industrial and storage facilities
- Outdoor applications only in suitable luminaires

---

### PRODUCT BENEFITS

- Replacement for HQL: Suitable for operation with conventional control gear for HQL
- Replacement for other HID: Suitable for operation with line voltage without control gear
- Operating temperature: -20...50 °C
- Energy savings of up to 65 % when replacing mercury vapor lamps (HQL)
- Effective thermal management for wide operating temperature range
- Low maintenance costs thanks to long lifetime
- Instant 100 % light, no warm-up time

---

### PRODUCT FEATURES

- LED alternative for applications requiring a high luminous flux
- Power factor: 0.9
- Type of protection: IP40
- High surge protection: up to 4 kV (L-N)
- Operating temperature: -20...50 °C



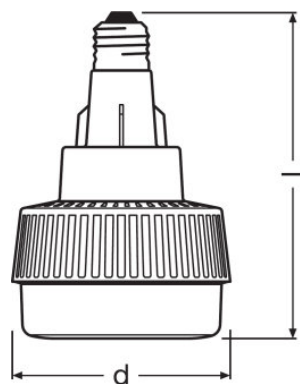
TECHNICAL DATA

Product description	Electrical data						
	Nominal wattage	Nominal voltage	Max. lamp no. on circuit break. B16 A - CCG without compensation	Max. lamp no. on circuit break. 10 A (B)	Max. lamp no. on circuit break. B10 A - CCG with compensation	Max. lamp no. on circuit break. B10 A - CCG without compensation	Max. lamp no. on circuit break. B16 A - CCG with compensation
HQL HIGHBAY 250 120° 95 W/4000K E40	95.00 W	220...240 V	13	8	3	8	5
HQL HIGHBAY 400 120° 140 W/4000K E40	140.00 W	220...240 V	10	6	3	6	5

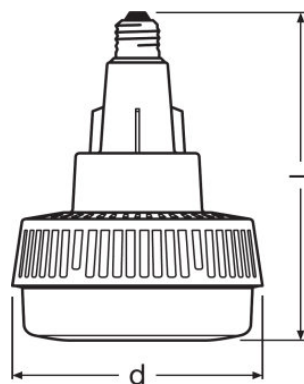
Product description	Max. lamp no. on circuit break. 16 A (B)	Photometrical data								Light technical data
		Nominal luminous flux	Rated luminous flux	Color temperature	Lumen main.fact.at end of nom.life time	Light color (designation)	Color temperature	Luminous flux	Color rendering index Ra	Warm-up time (60 %)
HQL HIGHBAY 250 120° 95 W/4000K E40	13	13000 lm	13000 lm	4000 K	0.70	Cool White	4000 K	13000 lm	≥80	< 0.50 s
HQL HIGHBAY 400 120° 140 W/4000K E40	10	20000 lm	20000 lm	4000 K	0.70	Cool White	4000 K	20000 lm	≥80	< 0.50 s

Product description	Beam angle	Dimensions & weight		Temperatures & operating conditions	Lifespan	Additional product data		
		Overall length	Diameter	Ambient temperature range	Nominal lamp life time	Number of switching cycles	Base (standard designation)	Mercury content
HQL HIGHBAY 250 120° 95 W/4000K E40	120 °	280.0 mm	190.0 mm	-20...+50 °C	50000 h	100000	E40	0.0 mg
HQL HIGHBAY 400 120° 140 W/4000K E40	120 °	310.0 mm	230.0 mm	-20...+50 °C	50000 h	100000	E40	0.0 mg

Product description	Mercury-free	Capabilities	Certificates & standards
		Dimmable	Photobiological safety group EN62778
HQL HIGHBAY 250 120° 95 W/4000K E40	Yes	No	RG1
HQL HIGHBAY 400 120° 140 W/4000K E40	Yes	No	RG1



HQL HIGHBAY 250 120° 95 W/4000K E40



HQL HIGHBAY 400 120° 140 W/4000K E40

### EQUIPMENT / ACCESSORIES

- Safety sling for lamp included

---

**SAFETY ADVICE**

The bulb may be larger and heavier than the replaced bulb. Before installation it must be checked, if the luminaire and especially the holder is capable of carrying the weight of the lamp. Safety sling has to be installed.

Not suitable for operation with ignitors

Operation on the capacitor can lead to a reduction of the power factor of the system.

To ensure full light efficiency and product lifetime, it is recommended to detach any glass or cover of the luminaire.

---

**APPLICATION ADVICE**

For more detailed application information and graphics please see product datasheet.

---

**LOGISTICAL DATA**

Product code	Packaging unit (Pieces/Unit)	Dimensions (length x width x height)	Gross weight	Volume
4058075135871	Shipping carton box 4	420 mm x 420 mm x 315 mm	5133.00 g	55.57 dm <sup>3</sup>
4058075135895	Shipping carton box 4	515 mm x 515 mm x 355 mm	8060.00 g	94.15 dm <sup>3</sup>

The mentioned product code describes the smallest quantity unit which can be ordered. One shipping unit can contain one or more single products. When placing an order, for the quantity please enter single or multiples of a shipping unit.

---

**DISCLAIMER**

Subject to change without notice. Errors and omission excepted. Always make sure to use the most recent release.