

LED BULB

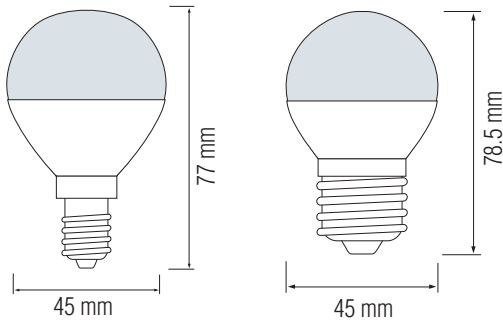
 Product&Family Code: **001 005 0004**
ELITE-4

E14

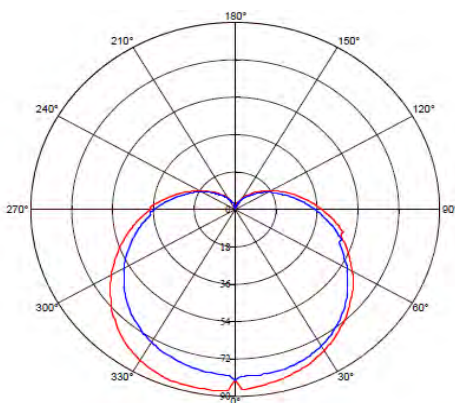
E27


White

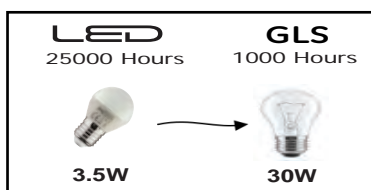
Technical Drawing



Photometric Diagram



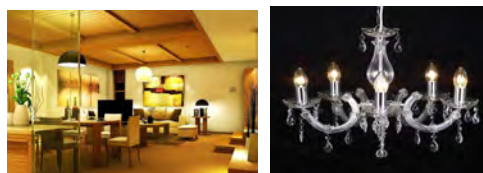
C0 Plane beam angle(50%): 164.0(DEG) C90 Plane beam angle(50%): 182.4(DEG)



Technical Data	
Voltage (V)	175-250V
Product Wattage (W)	4
Equivalence with incandescent lamp	30
Colour Render Index (Ra)	>Ra80
Colour Temperature (K)	3000K-4200K-6400K
Materials	Aluminium Housing with PMMA Diffuser
Protection Class	-
Dimmable	No
EEI	A+
Warm-up time up to 60 %of the full light output	Instant Full Light
Luminous Flux (lm)	250
Luminous Efficacy (lm/W)	62.5
Rated Life (hrs) Ⓟ	25,000
IP Rating	-
Power Factor	>0.5
Beam Angle ☆	200 °
Starting Time	<0.5
Number of ON-OFF cycling	x12,500

Applications

- The luminaire is an excellent solutions for market, museum, restaurant, show room, and other spot lighting needed.



Features

- Low power consumption
- Efficient replacement for incandescent lamps
- Mercury free, no UV and IR radiation
- Instant on, 100% light output

