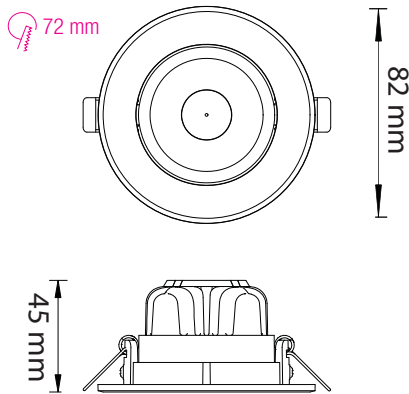


# LED DOWNLIGHT

Product&amp;Family Code: 016 035 0005

**SONIA-5**


## Technical Drawing



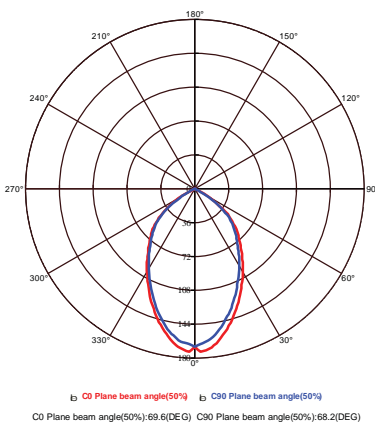
Technical Data	
Voltage (V)	100-240V
Product Wattage (W)	5
Equivalence with incandescent lamp	40
Colour Render Index (Ra)	>Ra70
Colour Temperature (K)	2700K - 6400K
Materials	Plastic
Protection Class	II
Dimmable	No
EEI	A to A++
Warm-up time up to 60 % of the full light output	Instant Full Light
Luminous Flux (lm)	350
Luminous Efficacy (lm/W)	70
Rated Life (hrs) ⌚	20.000
IP Rating	20
Power Factor	>0.5
Beam Angle	70°
Starting Time	<0.2s
Number of ON-OFF cycling	x15.000

## Applications

- Airport, Bathroom, Bedroom, Car Park, Cinema, Gallery, Hospital, Hotel, Kitchen, Museum etc.



## Photometric Diagram



## Features

- High Lumen and CRI, Good quality & Constant Current driver.
- High heat dissipation, low carbon and environmental protection.
- SMD LED Lamp Base.

