

LED PENDANT LAMP

Product&Family Code:

020 006 0012

SEMBOL

Technical Data

Voltage (V)	220-240V
Product Wattage (W)	12
Equivalence with incandescent lamp(W)	96
Colour Render Index (Ra)	>Ra80
Colour Temperature (K)	4000K
Materials	LED Aluminium layer and PC diffuser
Protection Class	II
Dimmable	No
EEI	A to A++
Warm-up time up to 60 %of the full light output	Instant Full Light
Luminous Flux (lm)	850
Luminous Efficacy (lm/W)	71
Rated Life (hrs) ⌚	25000
IP Rating	20
Power Factor	>0.5
Beam Angle	120°
LED Type	56 PCS 3528 SMD
Installation	Directly E27 or Ceiling mount



BLACK

GREEN

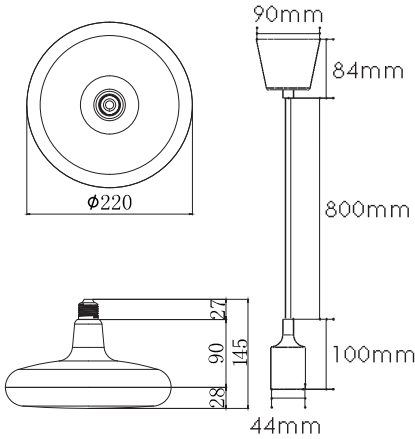
WHITE

YELLOW

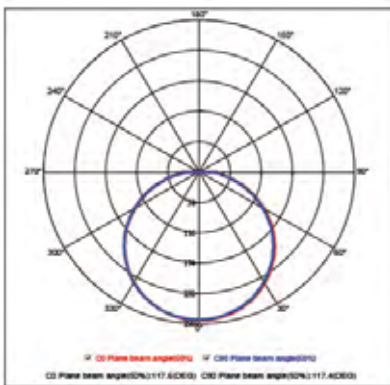
RED

BLUE

Technical Drawing



Photometric Diagram



Applications

- LED Pendant has been specifically designed for use indoors and is ideal for both hospitality and residential lighting.

Features

- High Lumen and CRI, Good quality & Constant Current driver.
- High heat dissipation, low carbon and environmental protection.
- SMD LED Lamp Base
- Aluminium layer and PC diffuser

